

DS-QAZ1630G1-BE
Network Frameless Ceiling Speaker PoE 30W



- 1* 1.0-inch tweeter and 1* 6.5-inch woofer
- 92dB Nominal Sensitivity
- 104dB@1m Rated Maximum SPL
- 80 Hz - 20kHz bandwidth
- protocol: ISAPI, ISUP, SIP
- White or black

▪ Specification

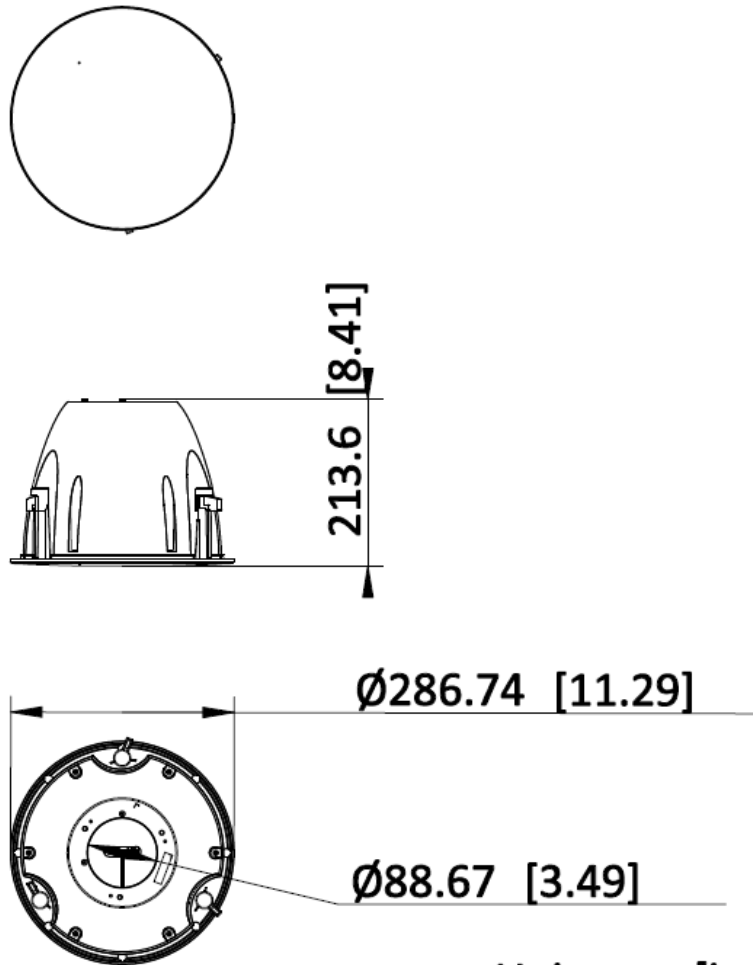
| Microphone | |
|---------------------------------|---|
| Type | MEMS |
| Amount | 2 |
| Frequency Response | 100 Hz to 10 kHz |
| Sensitivity | -38dBV/Pa |
| Protocol | |
| Network Protocol | IPv4, HTTP, HTTPS, SIP, SSL/TLS, DNS, NTP, TCP, UDP, IGMP, ICMP, DHCP, ARP |
| Speaker | |
| Impedance | 8Ω |
| Rated Power | 30W |
| Total Harmonic Distortion (THD) | ≤1% |
| Sensitivity(1 m, 1 W) | 92dB |
| Max. Acoustic Pressure | 104dB |
| Frequency Response | 80Hz~20kHz(-10dB) |
| Speaker Unit | 1 × 1.0-inch tweeter and 1 × 6.5-inch woofer |
| Function | |
| Audio Algorithm | AEC、AGC、ANS、DRC |
| Audio Bit Rate | G.711ulaw (64 Kbps) /G.711alaw (64 Kbps) /MP3 (128 Kbps) |
| Interface | |
| Alarm | Alarm in |
| Network Interface | RJ45 10 M/100 M Adaptive Ethernet port × 1 |
| Local Storage | Built-in 64 GB EMMC (Audio file storage is 55 GB.) |
| Audio In | 3.5 mm audio interface × 1 |
| LED Indicator | Solid green: normal working Flashing green: intercom in progress Solid red: start or network disconnection Flashing red: upgrading |
| Reset | Support |
| General | |
| Power | 24 VDC ± 10%, 2.5 A, max. 60 W, PoE: 50 V to 57 V, 0 A to 1.6 A, max. 71 W |
| Material | Main body: PC Base: ABS |
| Dimension | Ø286.74 mm × 213.6 mm (11.29" × 8.41") |
| Weight | Approx. 2.7 kg (5.95 lb.) |
| Language | 5 languages: English, French, Spanish, German, Italian |
| Package Dimension | 350 mm × 350 mm × 343 mm (13.78" × 13.78" × 13.5") |
| With Package Weight | Approx. 2.9 kg (6.49 lb.) |
| Packing List | Device × 1 Regulatory Compliance and Safety Information × 1 2-pin phoenix connector × 1 4-pin phoenix connector × 1 |
| Operating Temperature | -10 °C to 45 °C |
| Operating Humidity | < 90% (No condensation) |

▪ Available Model

DS-QAZ1630G1-BE/BLACK

DS-QAZ1630G1-BE

▪ Dimension



Unit: mm [inch]

| | |
|-------|-----|
| SCALE | 1:1 |
|-------|-----|



See Far, Go Further



www.hikvision.com
support@hikvision.com

