

DS-3WF3000-EI-5AC/P 5 Ghz 867 Mbps 3 km Wireless Bridge Kit



The wireless bridge can be applied in industries, such as wireless video security, railway, transportation, power and other industries, wireless video/data transmission, wireless coverage, carrier wireless backbone network construction, Wi-Fi wireless coverage, rural information construction, and wireless network coverage. The long-distance transmission of the device can guarantee multi-channel HD video transmission.

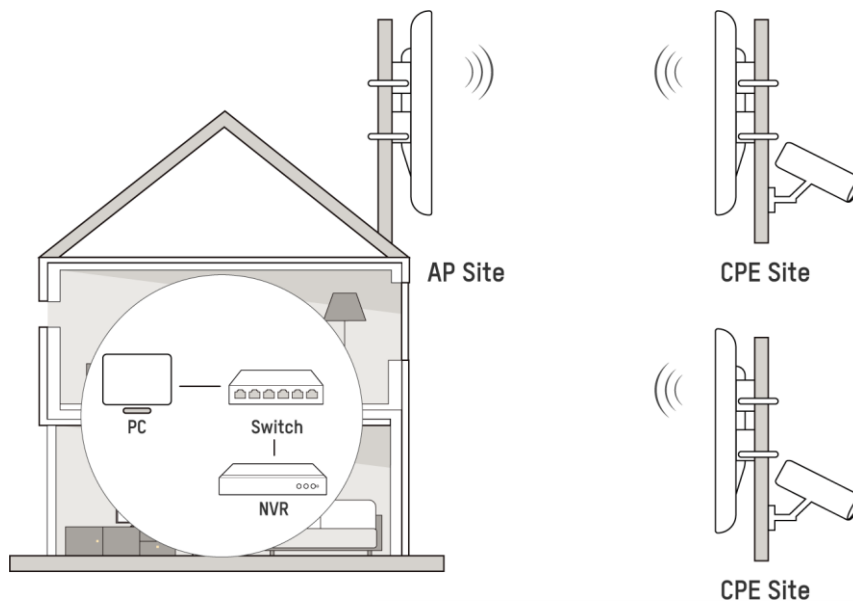
- Up to 3 km wireless transmission distance
- 867 Mbps 802.11ac wireless bridge
- Built-in 8 dBi 2 × 2 MIMO antenna
- Visualized topology management
- Standard PoE Input & Output
- Plug and Play

▪ Specification

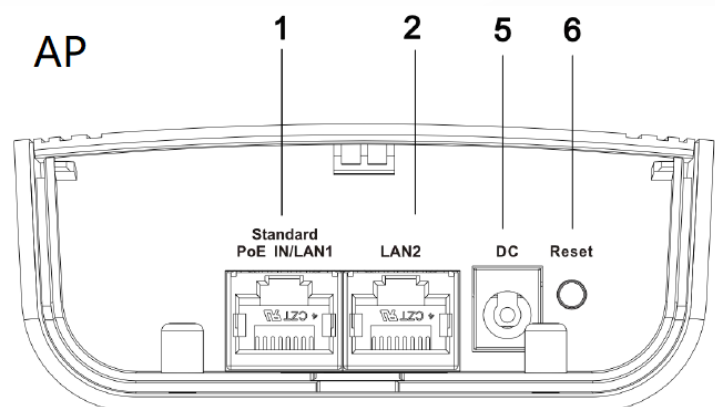
Wireless Parameter	
Wireless Standard	IEEE 802.11/a/n/ac
Max. Transmission Rate of Air Interface	≤ 867 Mbps
Working Frequency Band	5150 MHz ~ 5250 MHz, 5250 MHz~ 5350 MHz, 5470 MHz~ 5725 MHz, 5725 MHz~ 5825 MHz
Antenna Gain	8 dBi
Antenna Angle	(H) Beamwidth [3 dB] 50° (V) Beamwidth [3 dB] 50°
Transmitting Power	22 dBm @11ac 80MHz MCS0 (Note: Transmitting power may vary with local regulations.)
Receiving Sensitivity	-84 ±2dBm@AC80-MCS0
Throughput Rate	PTP: 90 Mbps/0.5 KM(AC80), 90 Mbps/1 KM(AC80), 40 Mbps/3 KM(AC80); PTMP(1 to 4): 20 Mbps/3 KM(AC80)
PoE Power Supply	
PoE Port	AP: LAN1 802.3af/at PoE IN; CPE: LAN1 passive PoE IN, LAN2 802.3 af PoE OUT
PoE Power Budget	10 W
PoE Distance	100 m
Hardware Parameter	
Network Interface	2 × 10/100 Mbps RJ45 ports
LED Indicator	Power indicator, LAN indicator, Signal intensity indicator
Reset	Hardware resetting button
Power Supply	48V PoE/12~24V DC;Check the physical interface image below for more details.
Software Function	
Application Function	IFM, IPM, DFS, TPC
Channel Width	20/40/80 MHz
Channel Selection	Auto/manual selection
Network Protocol	NTP (network time synchronization), SADP (auto search for IP address), HTTPS (web management)
Security Mode	WPA2-PSK
Security Mechanism	Wireless network name hidden
Management Method	Web, iVMS-4200, HCP
Upgrade	Web, iVMS-4200, HCP
System Log	Syslog, Control center information
General	
Product Dimensions (W × H × D)	90.8 mm × 187.87 mm × 57.87 mm (3.58" × 7.4" × 2.28")
Package Dimensions (W × H × D)	256 mm × 231 mm × 86 mm (10.07" × 9.09" × 3.38")
Net Weight	0.26 kg (0.57 lb) per device
Gross Weight	1.1 kg (2.43 lb)
Packing List	Wireless Bridge × 2, PoE Power Supply × 2, AC Cord × 2, Quick Start Guide ×1, Regulatory Compliance and Safety Information × 1, Binding Tape × 4
Packing Method	Packing in pairs

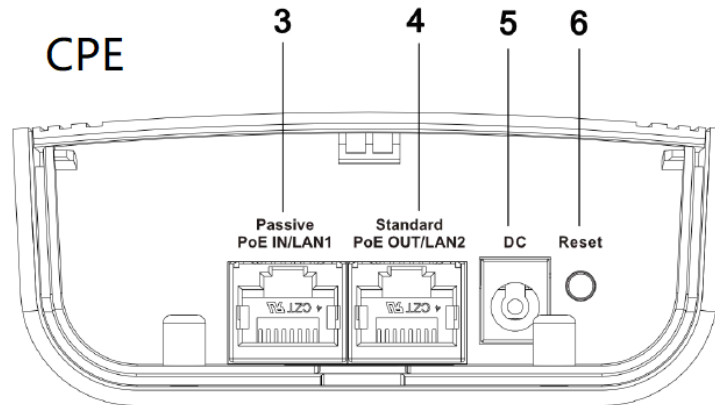
Working Temperature	-30 °C to 65 °C (-22 °F to 149 °F)
Working Humidity	5% to 95% (no condensation)
Storage Temperature	-40 °C to 80 °C (-40 °F to 176 °F)
Storage Humidity	5% to 95% (no condensation)
Installation Mode	Pole Mounting
Ingress Protection	IP55
Power Consumption	2.43 W for typical (1-ch 2MP IPC), Max. 3.6 W
Approval	
EMC	CE-EMC (EN 55032: 2015+A11: 2020, EN IEC 61000-3-2: 2019, EN 61000-3-3: 2013+A1: 2019, EN 50130-4: 2011+A1: 2014, EN 55035: 2017+A11: 2020), IC (ICES-003: Issue 7:2020), RCM (AS/NZS CISPR 32: 2015)
Safety	CB (AMD1:2009, AMD2:2013, IEC 62368-1: 2014 (Second Edition)), CE-LVD (EN 62368-1: 2014+A11: 2017)
Chemistry	CE-RoHS (2011/65/EU), WEEE (2012/19/EU), Reach (Regulation (EC) No.1907/2006)
Radio	EN 301 893, EN 300 440, EN 62311, EN 301 489-3, EN 301 489-17

▪ Typical Application



▪ Physical Interface



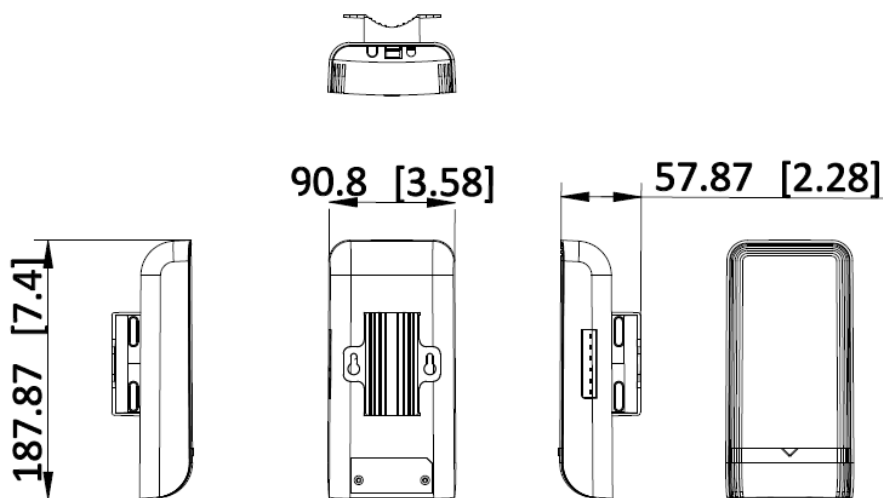


No.	Interface/Button	Description
1	Standard PoE IN/LAN 1	The 10/100 Mbps adaptive RJ45 port, also can be used as a standard PoE input port.
2	LAN 2	The 10/100 Mbps adaptive RJ45 port.
3	Passive PoE IN/LAN 1	The 10/100 Mbps adaptive RJ45 port, also can be used as a passive PoE input port.
4	Standard PoE OUT/LAN 2	The 10/100 Mbps adaptive RJ45 port, also can be used as a standard PoE output port.
5	DC	Support DC 12~24V power supply. PoE OUT is not available when the device is powered by DC port.
6	Reset	Long press for 4 seconds to restore to factory settings.

▪ Available Model

DS-3WF3000-EI-5AC/P

▪ Dimension



Unit: mm

See Far, Go Further



www.hikvision.com
support@hikvision.com

