

**DS-3WF1000-EI-2N****2.4 Ghz 300 Mbps 1 KM Wireless Bridge Kit**

The dual wireless bridge can be applied in industries, such as wireless video security, railway, transportation, power and other industries, wireless video/data transmission, wireless coverage, carrier wireless backbone network construction, Wi-Fi wireless coverage, rural information construction, and wireless network coverage. The long-distance transmission of the device can guarantee multi-channel HD video transmission.

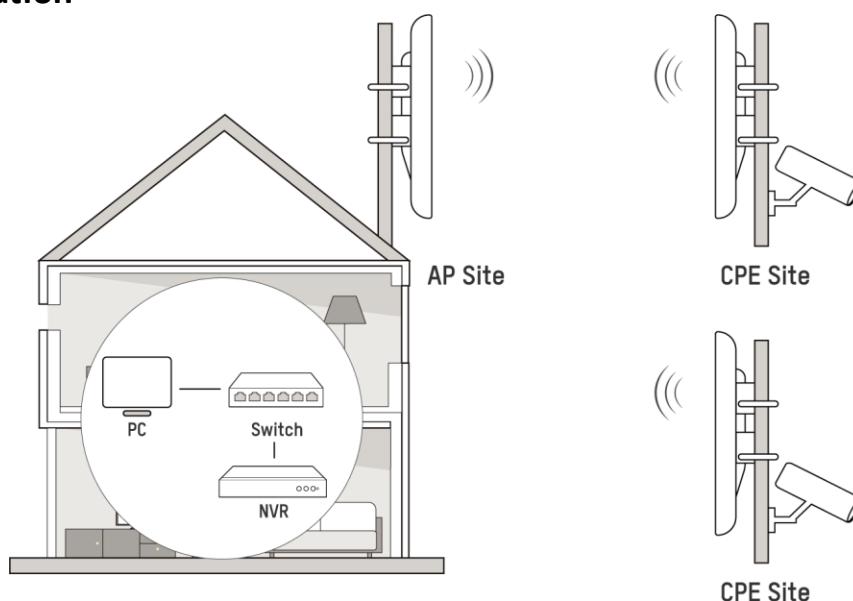
- Up to 1 Km wireless transmission distance
- 300 Mbps 802.11n wireless bridge
- Built-in 7dBi 2 x 2 MIMO antenna
- Visualized topology management
- Real-Time alarm push technology

## ▪ Specification

General	
Product Dimensions (W × H × D)	90.8 mm × 187.87 mm × 57.87 mm (3.57" × 7.39" × 2.27")
Package Dimensions (W × H × D)	256 mm × 231 mm × 86 mm (10.07" × 9.09" × 3.38")
Net Weight	0.26 kg (0.57 lb) per device
Gross Weight	0.9 kg (1.98 lb)
Packing List	Wireless Bridge × 2, Power Adapter (12 VDC, 1 A) × 2, 10/100 Mbps PoE Injector × 2, Binding Tape × 4, Quick Start Guide × 1, Regulatory Compliance and Safety Information × 1
Packing Method	Packing in pairs
Working Temperature	-30 °C to 60 °C (-22 °F to 140 °F)
Working Humidity	5% to 95% (no condensation)
Storage Temperature	-40 °C to 80 °C (-40 °F to 176 °F)
Storage Humidity	5% to 95% (no condensation)
Installation Mode	Pole Mounting
Ingress Protection	IP55
Power Consumption	1.8 W for typical (1-ch 2MP IPC), Max. 4.5 W
Wireless Parameter	
Wireless Standard	IEEE 802.11b/g/n (2 × 2 MIMO 300 Mbps)
Max. Transmission Rate of Air Interface	≤ 300 Mbps
Working Frequency Band	2400 MHz ~ 2483.5 MHz
Antenna Gain	7 dBi
Antenna Angle	(H) Beamwidth [3 dB] 60° (V) Beamwidth [3 dB] 50°
Transmitting Power	22 dBm @11n MCS0 (Note: Transmitting power may vary with local regulations.)
Receiving Sensitivity	-87±2 dBm @HT40 MCS0
Throughput Rate	PTP: ,90 Mbps/0.2 KM(HT40),90 Mbps/0.5 KM(HT40),70 Mbps/1 KM(HT40),PTMP(1 to 4): ,40 Mbps/1 KM(HT40)
Hardware Parameter	
Network Interface	2 × 10/100 Mbps RJ45 ports
LED Indicator	Power indicator, LAN indicator, Signal intensity indicator
Reset	Hardware resetting button
Power Supply	12-24 VDC Passive PoE
Software Function	
Application Function	IFM, IPM
Channel Width	10/20/40 MHz
Channel Selection	Auto/manual selection
Network Protocol	NTP (network time synchronization), SADP (auto search for IP address), HTTPS (web management), SSH (debugging)
Security Mode	WPA2-PSK
Security Mechanism	Wireless network name hidden
Management Method	Web, iVMS-4200, HCP
Upgrade	Web, iVMS-4200, HCP
System Log	Syslog, Control center information

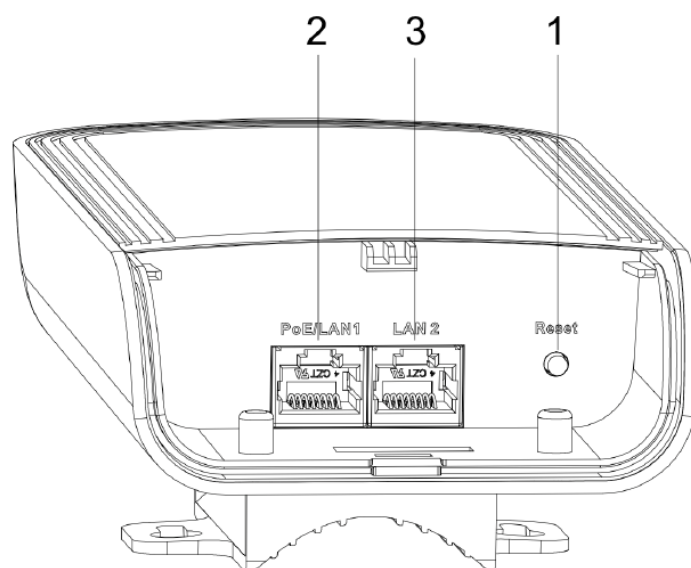
HPP	<p>Support one-click activation and remote management via Hik-Partner Pro. Functions supported:</p> <ol style="list-style-type: none"> <li>1. Reboot device</li> <li>2. Restore device</li> <li>3. Display the topology information</li> <li>4. Display the connection status between AP and CPEs, including signal intensity, background noise, sending &amp; receiving rate</li> <li>5. Configure wireless settings, including working mode, SSID, password, channel, channel bandwidth, transmitting power</li> <li>6. Bridge alignment</li> <li>7. Spectrum scanning</li> </ol>
<b>Approval</b>	
EMC	CE-EMC (EN 55032:2015+A11: 2020, EN IEC 61000-3-2:2019, EN 61000-3-3:2013+A1: 2019, EN 50130-4:2011+A1: 2014, EN 55035:2017+A11: 2020)
Safety	CB (AMD1:2009, AMD2:2013, IEC 62368-1:2014 (Second Edition)), CE-LVD (EN 62368-1:2014+A11: 2017)
Chemistry	CE-RoHS (2011/65/EU), WEEE (2012/19/EU), Reach (Regulation (EC) No.1907/2006)
Radio	EN 301 893, EN 300 440, EN 62311, EN 301 489-3, EN 301 489-17

## ▪ Typical Application



## ▪ Physical Interface

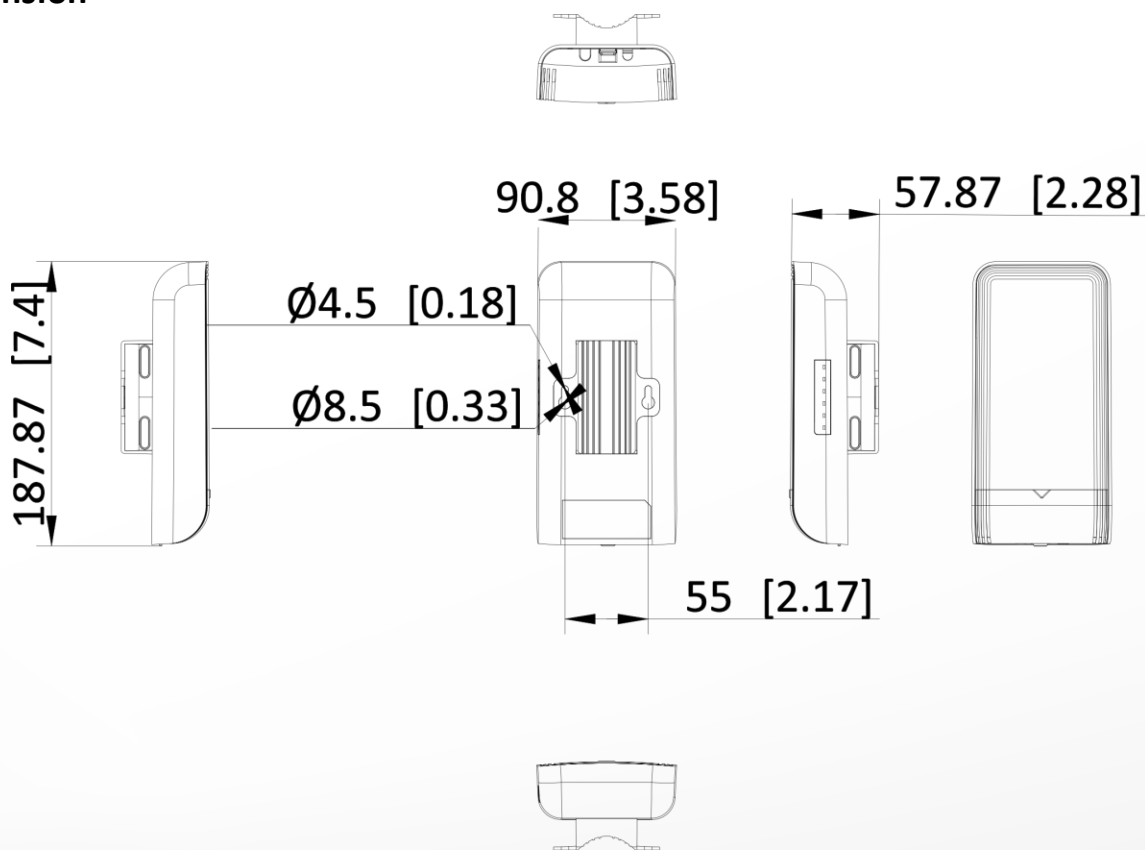
No.	Interface/Button	Description
1	Reset	Long press for 4 seconds to restore to factory settings.
2	PoE/LAN 1	The 10/100 Mbps adaptive RJ45 port, also can be used as a PoE port.
3	LAN 2	The 10/100 Mbps adaptive RJ45 port.



▪ **Available Model**

- DS-3WF1000-EI-2N
- DS-3WF1000-EI-2N-AP
- DS-3WF1000-EI-2N-ST
- F-WL-B20F-N(iFLOW)
- F-WL-B20F-N-AP(iFLOW)
- F-WL-B20F-N-ST(iFLOW)

▪ **Dimension**



Unit: mm [inch]



# See Far, Go Further



[www.hikvision.com](http://www.hikvision.com)  
[support@hikvision.com](mailto:support@hikvision.com)

