

DS-2DE2204MWG-E3 2 MP Network Hybrid Light Mini PTZ Camera



Hikvision DS-2DE2204MWG-E3 2 MP Network Hybrid Light Mini PTZ Camera can be widely used in multiple indoor scenes, such as malls, stores, factories, entrances and exits.

- High quality imaging with 2 MP resolution
- Clear imaging against strong back light due to 120 dB WDR technology
- 4× optical zoom provides close up views over expansive areas
- Expansive night view with up to 30 m IR distance and 10 m white light distance
- Built-in microphone and speaker

▪ Specification

Camera	
Image Sensor	1/2.7" Progressive Scan CMOS
Max. Resolution	1920 × 1080
Min. Illumination	Color: 0.05 Lux @ (F1.8, AGC ON); B/W: 0.005 Lux @ (F1.8, AGC ON); 0 Lux with IR
Shutter Speed	1/1 to 1/30,000 s
Day & Night	ICR
Zoom	16x digital
Lens	
FOV	Horizontal field of view: 98.3° to 39.4° (Wide-Tele) Vertical field of view: 52.8° to 22.2° (Wide-Tele) Diagonal field of view: 116.5° to 45.2° (Wide-Tele)
Aperture	F1.8
Zoom Speed	Approx. 2 s (wide-tele)
Illuminator	
Supplement Light Range	White light distance: up to 10 m, IR distance: up to 30 m
PTZ	
Movement Range (Pan)	350°
Movement Range (Tilt)	0° to 90°
Pan Speed	Pan speed: configurable from 0.1° to 40°/s, preset speed: 40°/s
Tilt Speed	Tilt speed: configurable from 0.1° to 40°/s, preset speed 40°/s
Proportional Pan	yes
Presets	300
Preset Freezing	yes
Park Action	Preset, patrol scan
3D Positioning	yes
PTZ Status Display	yes
Scheduled Task	preset, dome reboot, dome adjust, aux output, off
Power-off Memory	yes
Video	
Main Stream	50 Hz: 25 fps (1920 × 1080, 1280 × 720); 60 Hz: 30 fps (1920 × 1080, 1280 × 720)
Sub-Stream	50 Hz: 25 fps (640 × 480, 640 × 360); 60 Hz: 30 fps (640 × 480, 640 × 360)
Third Stream	50 Hz: 25 fps (1280 × 720, 640 × 480, 640 × 360); 60 Hz: 30 fps (1280 × 720, 640 × 480, 640 × 360)
Video Compression	H.265, H.264, MJPEG
Scalable Video Coding (SVC)	H.264 and H.265 encoding
Region of Interest (ROI)	8 fixed regions for each stream
Audio	
Audio Compression	G.711alaw, G.711ulaw, G.722.1, G.726, MP2L2, AAC, PCM, MP3

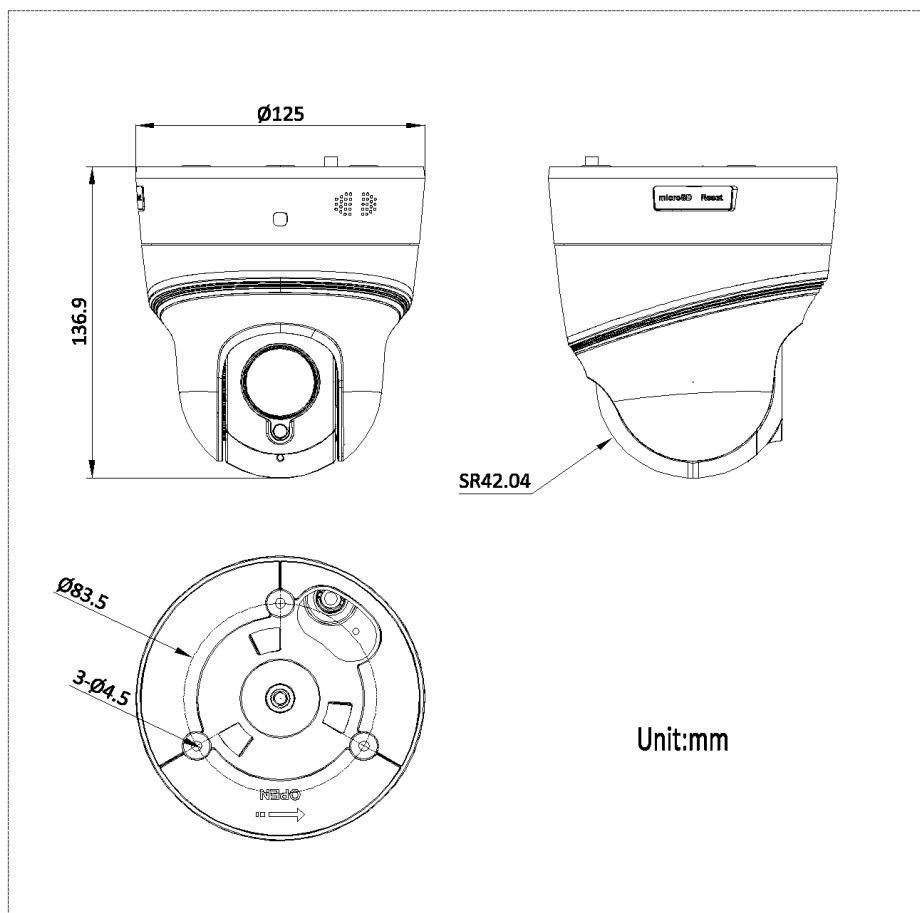
Audio Bit Rate	AAC: 16 kbps,32 kbps,64 kbps, MP2L2: 32 kbps, 40 kbps, 48 kbps, 56 kbps, 64 kbps, 80 kbps, 96 kbps, 112 kbps, 128 kbps, 144 kbps, 160 kbps; MP3: 8kbps, 16kbps,32 kbps, 40 kbps, 48 kbps, 56 kbps, 64 kbps, 80 kbps, 96 kbps, 112 kbps, 128 kbps, 144 kbps, 160 kbps
Audio Sampling Rate	AAC: 16 kHz; MP2L2: 16 kHz; PCM: 8 kHz, 16 kHz; MP3: 8 kHz, 16 kHz
Environment Noise Filtering	yes
Network	
Protocols	IPv4/IPv6,HTTP,HTTPS,Qos,FTP,SMTP,UPnP,SNMP,DNS,DDNS,NTP,RTSP,RTCP,RTP,TCP/IP,UDP,IGMP,ICMP,DHCP,PPPoE,Bonjour
Simultaneous Live View	Up to 20 channels
API	ISAPI,Hikvision SDK,Hik-Connect,ISUP,Open Network Video Interface (Profile S, Profile G, Profile T)
User/Host	Up to 32 users. 3 levels: Administrator, Operator and User
Security	Authenticated username and password, MAC address binding, HTTPS encryption, IP address filter
Network Storage	NAS (NFS, SMB/ CIFS)
Client	iVMS-4200, Hik-Connect, *Wi-Fi connection with Hik-Connect directly is not possible
Web Browser	IE 10+, Chrome 57+, Firefox 52+, Safari 12+
Image	
Image Parameters Switch	yes
Image Settings	saturation, brightness, contrast, sharpness
Day/Night Switch	day, night, auto, scheduled-switch
Wide Dynamic Range (WDR)	120 dB WDR
SNR	> 52dB
Defog	yes
Image Enhancement	BLC, HLC, 3D DNR
Privacy Mask	up to 24 masks (8 masks for each scene)
Regional Exposure	yes
Interface	
Ethernet Interface	RJ45, self-adaptive 10M/100M Ethernet port
On-board Storage	support microSD/microSDHC/microSDXC cards, up to 512 GB
Audio	1 built-in microphone,1 audio input, 2.0 to 2.4Vp-p, 1k Ohm±10%, 1 built-in speaker, 1 audio output, line level, impedance: 600 Ω
Alarm	1 alarm input, 1 alarm output
Reset	yes
Event	
Basic Event	motion detection, video tampering alarm, alarm input, alarm output, exception
Smart Event	Line crossing detection,intrusion detection,region entrance detection,region exiting detection,unattended baggage detection,object removal detection,audio exception detection
Linkage	Upload to FTP/NAS/memory card, notify surveillance center, send email, trigger recording, and PTZ actions (such as preset)

General	
Power	12 VDC, PoE (802.3at), Max. 14 W
Dimension	Ø125 × 137.2 mm (Ø 4.92" × 5.38")
Weight	Approx. 650 g (1.4 lb.)
Operating Condition	Temperature: -10°C to 50°C (14°F to 122°F), Humidity: ≤ 90%
General Function	mirror, password protection, watermark, IP address filter
Approval	
Protection	IP54 (IEC 60529-2013),TVS 4000 V lightning protection, surge protection and voltage transient protection

▪ **Available Model**

DS-2DE2204MWG-E3

▪ **Dimension**

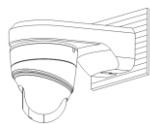


- **Accessory**

- **Optional**

DS-1294ZJ

DS-1294ZJ



Headquarters

No.555 Qianmo Road, Binjiang District,
Hangzhou 310051, China
T +86-571-8807-5998
www.hikvision.com



Follow us on social media to get the latest product and solution information.

