

DS-K1T673TDX-BR
Face Recognition Terminal

Face recognition terminal is a kind of access control device. It can be widely applied in multiple scenarios, such as enterprises, stations, dwellings, factories, schools, campus and so on.

- 7-inch LCD touch screen, 2 Mega pixel wide-angle lens
- Recognition distance: 0.3 to 3 m
- Face recognition duration < 0.2 s/User
- Face recognition accuracy rate ≥ 99%
- Face mask detection
- 100,000 face capacity, 10,000 fingerprint capacity (With fingerprint module), and 150,000 event capacity
- Supports ISAPI, ISUP 5.0, TCP/IP (IPv4 and IPv6)
- Supports single person and multiple people (Up to 5 people) recognition

▪ Specification

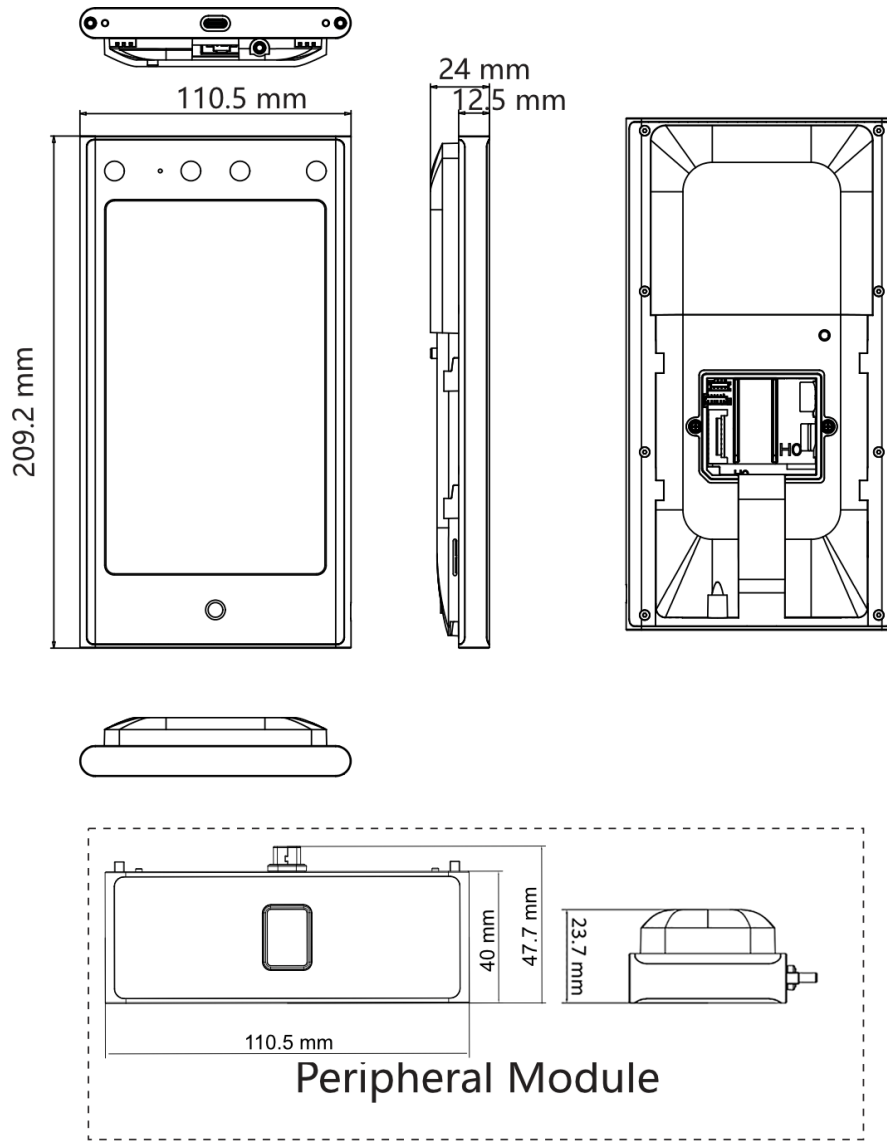
System	
ROM	8 GB
RAM	1 GB
Operation system	Linux
Display	
Operation method	Capacitive touch screen
Resolution	600 × 1024
Size	7-inch
Type	Touch screen
Video	
FOV	HFOV= 75.5°; VFOV= 41.5°; DFOV= 87°
Focal length	4 mm
Aperture	F1.1
Pixel	2 MP
Lens	Dual-lens
WDR	Support
Video standard	PAL (Default)/NTSC
Audio	
Audio compression standard	G.711U
Audio compression bitrate	64 Kbps
Tone quality	Built-in omnidirectional microphone
Volume adjustment	Support
Power output	1.5 W
Network	
Communication protocol	IPV4: SADP, SIP, RTSP, ISAPI, ISUP 5.0 IPV6: RTSP, ISAPI
4G	Not support
Wired network	Support 10/100/1000 Mbps self-adaptive
Wi-Fi	Not support
Interface	
Alarm input	1
Alarm output	1
USB	1 (For Module)
Audio Output Interface	1 (3.5 mm)
Network interface	1
RS-485	1
Wiegand	1
Lock output	1
Exit button	1
Door contact input	1
TAMPER	1
Capacity	
Fingerprint capacity	10,000 (With fingerprint module)
Face capacity	100,000

Event capacity	150,000
Authentication	
Face recognition accuracy rate	≥ 99%
Face recognition duration	< 0.2 s per person
Face recognition distance	0.3 to 3 m
General	
Indicator	Support
Power supply	12 VDC to 24 VDC/2 A
Working temperature	-30 °C to 60 °C (-22 °F to 140 °F)
Working humidity	0 to 90% (no condensing)
Protective level	IP65
Dimensions	110.5 mm × 209.2 mm × 24 mm (4.35" × 8.24" × 0.94")
Language	English, Spanish (South America), Arabic, Thai, Indonesian, Russian, Vietnamese, Portuguese (Brazil), Japanese, Korean, Traditional Chinese, French and Turkish
Weight	Gross Weight: 1.06 kg (2.34 lb)
	Net Weight: 0.57 kg (1.26 lb)
Function	
Two-way audio	Support
Multi-factor authentication	Support
M1 card encryption	Not support
Anti-passback	Support
First person in	Support
Advertisement	Support
Time synchronization	Support
Face anti-spoofing	Support
Live view	Support
Audio prompt	Support

▪ Available Model

DS-K1T673TDX/BRASIL

▪ Dimension



▪ **Accessory**

▪ **Optional**

DS-KAB6-D1
Base Bracket

DS-KAB6-ZU1
Brackets for face
terminals

DS-KAB673-FB
Peripheral Module

DS-KAB673-FBQR
Peripheral Module

DS-KAB673-BQR
Peripheral Module

				
DS-KAB673-B Peripheral Module	DS-KAB6-W1 Bracket	DS-KAB673-EDB Peripheral Module		
				

See Far, Go Further



www.hikvision.com
support@hikvision.com

