

DS-2DF7C842IXG1-ELWYP**7C Series 8MP 42X DarkFighter Traffic Network Speed Dome****DarkFighter 2.0**

Hikvision has been dedicated to develop products with security since established.

Hikvision always follows security by design principle and has adopted many methods of security technologies into our product development lifecycle, including terminal security, data security, application security, network security, and privacy protection. In the meantime, the security technologies used by Hikvision are all in compliance with local applicable laws and safety regulations. These security measures could enhance product's cyber security defense capability and protect your devices as well as your data from malicious cyber attacks.

- 1/1.8" Progressive Scan CMOS
- High quality imaging with 8 MP resolution
- Excellent low-light performance via DarkFighter 2.0 technology
- Clear imaging against strong back light due to 140 dB AWDR technology
- 42 × optical zoom and 16 × digital zoom provide close up views over expansive areas
- Expansive night view with up to 400 m IR distance
- Water and dust resistant (IP67) and vandal resistant (IK10) excluding glass window
- Smart Pan-Tilt Correction
- Multiple violations supported: illegal parking detection, reverse driving detection, over lane line detection, illegal lane change detection, vehicle on non-motor vehicle lane, U-turning detection

▪ Specification

| Camera | |
|------------------------|---|
| Image Sensor | 1/1.8" progressive scan CMOS |
| Min. Illumination | Color: 0.0005 Lux @ (F1.2, AGC ON), B/W: 0.0001 Lux @ (F1.2, AGC ON), 0 Lux with IR |
| Shutter Speed | 1/1 s to 1/30,000 s |
| Slow Shutter | Yes |
| Day & Night | IR cut filter |
| Zoom | 42x optical, 16x digital |
| Max. Resolution | 3840 × 2160 |
| Lens | |
| Focus | Auto/manual/semi - auto |
| Focal Length | 6.0 mm to 252 mm, 42× Optical |
| Zoom Speed | Approx. 4.5 s (optical, wide-tele) |
| FOV | Horizontal field of view: 56.6° to 1.7°(wide-tele), vertical field of view: 33.7° to 0.9°(wide-tele), diagonal field of view: 63.4° to 1.9°(wide-tele) |
| Aperture | Max. F1.2 |
| Illuminator | |
| Supplement Light Type | IR |
| Supplement Light Range | IR Distance: up to 400 m |
| Smart Supplement Light | Yes |
| PTZ | |
| Movement Range (Pan) | 360° , Smart Pan-Tilt Correction |
| Movement Range (Tilt) | -20° to 90° (auto flip) , Smart Pan-Tilt Correction |
| Pan Speed | Pan speed: configurable from 0.1° to 160°/s; preset speed: 240°/s |
| Tilt Speed | Tilt speed: configurable from 0.1° to 120°/s, preset speed 200°/s |
| Proportional Pan | Yes |
| Presets | 300 |
| Patrol Scan | 8 patrols, up to 32 presets for each patrol |
| Pattern Scan | 4 pattern scans, record time over 10 minutes for each scan |
| Power-off Memory | Yes |
| Park Action | Preset, pattern scan, patrol scan, auto scan, tilt scan, random scan, frame scan, panorama scan |
| 3D Positioning | Yes |
| PTZ Status Display | Yes |
| Preset Freezing | Yes |
| Scheduled Task | Preset, pattern scan, patrol scan, auto scan, tilt scan, random scan, frame scan, panorama scan, dome reboot, dome adjust, aux output |
| Video | |
| Main Stream | 50 Hz: 50 fps (3840 × 2160, 2560 × 1440), 100 fps (1920 × 1080, 1280 × 960, 1280 × 720); 60 Hz: 60 fps (3840 × 2160, 2560 × 1440), 120 fps(1920 × 1080, 1280 × 960, 1280 × 720) *High frame rate is supported under monitoring mode only. |

| | |
|-----------------------------|---|
| Sub-Stream | 50 Hz: 25 fps (704 × 576, 640 × 480, 352 × 288) 60 Hz: 30 fps (704 × 480, 640 × 480, 352 × 240) |
| Third Stream | 50 Hz: 25 fps (1920 × 1080, 1280 × 960, 1280 × 720, 704 × 576, 640 × 480, 352 × 288) 60 Hz: 30 fps (1920 × 1080, 1280 × 960, 1280 × 720, 704 × 480, 640 × 480, 352 × 240) |
| Video Compression | Main stream: H.265+/H.265/H.264+/H.264 Sub-stream: H.265/H.264/MJPEG Third stream: H.265/H.264/MJPEG |
| Video Bit Rate | 32 Kbps~16 Mbps |
| H.264 Type | Baseline Profile/Main Profile/High Profile |
| H.265 Type | Main Profile |
| Scalable Video Coding (SVC) | H.264 and H.265 encoding |
| Region of Interest (ROI) | 8 fixed regions for each stream |
| Target Cropping | No |
| Audio | |
| Audio Compression | G.711/MP3/MP2L2/G.722.1/G.726/AAC-LC/PCM |
| Audio Bit Rate | 64 Kbps (G.711ulaw/G.711alaw)/8~320 Kbps(MP3)/32~192 Kbps(MP2L2)/16 Kbps(G.722.1)/16 Kbps(G.726)/16~64 Kbps(AAC-LC) |
| Audio Sampling Rate | MP2L2: 16kHz, 32kHz, 48kHzAAC-LC: 16kHz, 32kHz, 48kHzPCM: 8kHz, 16kHz, 32kHz, 48kHzMP3: 8kHz, 16kHz, 32kHz, 48kHz |
| Environment Noise Filtering | Yes |
| Network | |
| Smooth Streaming | Yes |
| Security | Password protection, complicated password, HTTPS encryption, 802.1X authentication (EAP-TLS, EAP-LEAP, EAP-MD5), watermark, IP address filter, basic and digest authentication for HTTP/HTTPS, WSSE and digest authentication for Open Network Video Interface, RTP/RTSP over HTTPS, control timeout settings, security audit log, TLS 1.3, host authentication (MAC address), TPM 2.0 (FIPS 140-2 level 2) |
| Network Storage | NAS (NFS, SMB/ CIFS), ANR |
| Protocols | UDP, IPv6, IPv4, ICMP, TCP/IP, DNS, DHCP, IGMP, RTP, RTSP, NTP, QoS, HTTP, 802.1X, SSL/TLS, HTTPS, DDNS, FTP, SNMP, WebSockets, RTCP, WebSocket, SFTP, PPPoE, SMTP, UPnP |
| API | ISAPI, EZVIZ, Open Network Video Interface, ISUP, OTAP, SDK |
| Simultaneous Live View | Up to 20 channels |
| User/Host | Up to 32 users. 3 levels: Administrator, Operator and User |
| Client | HikCentral, iVMS-4200, Hik-Connect |
| Web Browser | IE11, Chrome 57.0+, Firefox 52.0+, Safari 11+ |
| Image | |
| Image Parameters Switch | Yes |
| Image Settings | Saturation, brightness, contrast, sharpness, gain, and white balance adjustable by client software or web browser |
| Day/Night Switch | Schedule, Night, Day, Auto |
| Image Enhancement | BLC, HLC, 3D DNR |
| Wide Dynamic Range (WDR) | 140 dB WDR |
| Defog | Digital Defog |
| Image Stabilization | Yes. Built-in gyroscope to improve EIS performance. |
| Regional Exposure | Yes |
| Regional Focus | Yes |

| | |
|-----------------------------------|---|
| Privacy Mask | Up to 24 masks, polygon region, mosaic mask, mask color configurable |
| SNR | ≥ 52 dB |
| Supplement Detection | |
| Gyroscope | Yes |
| Satellite Positioning | No |
| Compass | No |
| Interface | |
| Reset | Yes |
| Ethernet Interface | 1 RJ45 10M/100M self-adaptive Ethernet port |
| On-board Storage | Built-in memory card slot, support MicroSD/MicroSDHC/MicroSDXC, up to 1 TB |
| Alarm | 7 inputs, 2 outputs |
| Audio | 1 input (line in), max. input amplitude: 2-2.4 vpp, input impedance: 1 KΩ ± 10%; 1 output (line out), line level, output impedance: 600 Ω |
| Video Output | 1.0V[p-p]/75Ω, PAL, NTSC, BNC connector |
| RS-485 | Half duplex, HIKVISION, Pelco-P, Pelco-D, self-adaptive |
| Event | |
| Basic Event | alarm input and output, Motion detection, exception (HDD full, HDD error, network disconnected, IP address conflict, illegal login, abnormal restart), video tampering alarm |
| Linkage | audible warning, trigger alarm output, trigger recording, notify surveillance center, send email, Upload to FTP/NAS/memory card |
| Deep Learning Function | |
| Intelligent Transportation System | <p>Traffic Violation Evidence Collection: illegal parking, reverse driving, over lane line detection, continuous lane change, motor vehicle on non-motor vehicle lane, U-turn, slalom driving, illegal lane change, and queue jumping.</p> <p>Traffic Data Collection: Traffic Flow.</p> <p>Road incident detection: (1) Road incident detection for highways and elevated roads: fallen object detection, pedestrian detection, congestion detection, roadblock detection, construction detection, traffic accident detection, fog detection, smoke detection, and fire detection; (2) Road incident detection for urban roads: congestion detection, roadblock detection, construction detection, traffic accident detection, fog detection, smoke detection, and fire detection</p> <p>Supports general highway incident detection : supports pothole detection, crack detection, and alligator cracking detection</p> |
| General | |
| Vandal-proof Alarm | No |
| Heater | Yes |
| Wiper | Yes |
| De-icing | No |
| Demist | Yes |
| General Function | IP address filter, mirror, password reset via email, third stream |
| Power | 36 VDC ± 25%, max. 60 W (Max. 50 W, including max. 10 W for IR and max. 8 W for heater) PoE 802.3bt, type3, class6, max. 60W (Max. 50 W, including max. 10 W for IR and max. 8 W for heater) |
| Operating Condition | Temperature: -40°C to 70°C (-40°F to 158°F), Humidity: ≤ 95% |
| Dimension | ∅ 259.9 mm × 356.39 mm (∅ 10.23" × 14.03") |

| | |
|---------------------------|---|
| Weight | Approx. 6.7 kg (14.77 lb.) |
| Language | 33 languages: English, Russian, Estonian, Bulgarian, Hungarian, Greek, German, Italian, Czech, Slovak, French, Polish, Dutch, Portuguese, Spanish, Romanian, Danish, Swedish, Norwegian, Finnish, Croatian, Slovenian, Serbian, Turkish, Korean, Traditional Chinese, Thai, Vietnamese, Japanese, Latvian, Lithuanian, Portuguese (Brazil), Ukrainian |
| Approval | |
| EMC | CE-EMC (EN 55032:2015, EN 61000-3-2:2019, EN 61000-3-3:2013, EN 50130-4:2011 +A1: 2014); RCM (AS/NZS CISPR 32:2015); |
| Safety | CB (IEC 62368-1:2014+A11); CE-LVD (EN 62368-1:2014+A11:2017) |
| Environment | CE-RoHS (2011/65/EU); WEEE (2012/19/EU); Reach (Regulation (EC) No 1907/2006) |
| Anti-Corrosion Protection | NEMA 4X |
| Protection | IP67 Standard, Lightning Protection, Surge Protection and Voltage Transient Protection, ± 6 kV Line to Gnd, ± 3 kV Line to Line, IEC61000-4-5, IK10 |

▪ DORI

The DORI (detect, observe, recognize, identify) distance gives the general idea of the camera ability to distinguish persons or objects within its field of view.

It is calculated based on the camera sensor specification and the criteria given by EN 62676-4:2015.

| DORI | Detect | Observe | Recognize | Identify |
|-----------------|------------------------|-----------------------|-----------------------|----------------------|
| Definition | 25 px/m | 63 px/m | 125 px/m | 250 px/m |
| Distance (Tele) | 5040.0 m (16535.4 ft.) | 2000.0 m (6561.7 ft.) | 1008.0 m (3307.1 ft.) | 504.0 m (1653.5 ft.) |

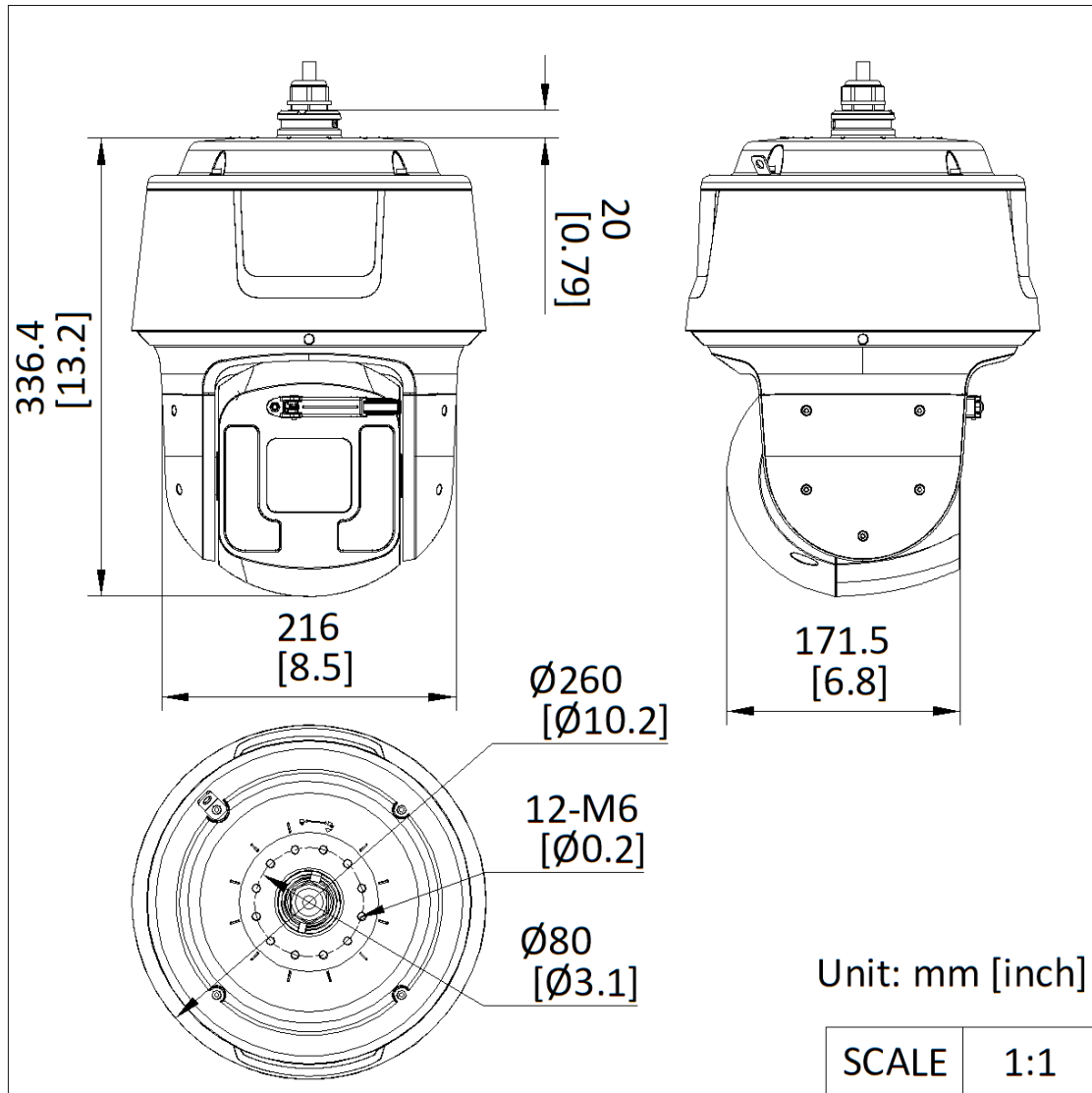
▪ Typical Application

Hikvision products are classified into three levels according to their anti-corrosion performance. Refer to the following description to choose for your using environment.

This model has MODERATE PROTECTION.

| Level | Description |
|------------------------|--|
| Top-level protection | Hikvision products at this level are equipped for use in areas where professional anti-corrosion protection is a must. Typical application scenarios include coastlines, docks, chemical plants, and more. |
| Moderate protection | Hikvision products at this level are equipped for use in areas with moderate anti-corrosion demands. Typical application scenarios include coastal areas about 2 kilometers (1.24 miles) away from coastlines, as well as areas affected by acid rain. |
| No specific protection | Hikvision products at this level are equipped for use in areas where no specific anti-corrosion protection is needed. |

▪ Dimension



▪ Accessory

▪ Optional

| DS-1276ZJ-P-Y | DS-1673ZJ-P-Y | DS-1684ZJ-P-Y | DS-4612ZJ-PAAC | DS-4603ZJ-PAAC |
|---------------|---------------|---------------|----------------|----------------|
| | | | | |

See Far, Go Further



www.hikvision.com
support@hikvision.com

