

**DS-TL2002AI****IR LED Strobe Supplement Light**

- Strobe supplement light, IR light source, 28 lamp beads
- Aluminum alloy light body, fin-type radiator, and high light transmission with tempering glass
- Infrared LED chips with long lifespan, good stability and high luminous efficiency
- Professional optical design, light uniformity and distinct target spot
- Infrared light design with built-in automatic light control, open at low illumination
- Support camera false triggering protection, automatic protection initiation at the abnormal triggering signal and automatic recovery
- Novelty design (small size, light weight), easy for installation and adjustment
- Water and dust resistant (IP66)
- Green environmental protection without harmful metal such as mercury and lead

## ▪ Specification

Supplement Light	
Light Type	IR light
IR Wavelength	850nm
Angle of Light	10°
LED Lamp Beads	28
Coverage	1 lane(s)
Effective Distance	16 to 25 m
Center Illuminance	1400 mW/m <sup>2</sup>
Trigger Manner	TTL level (switch trigger optional)
Trigger Level	4 to 6 V (High level trigger)
Trigger Duty Ratio	1% to 39% (Enter the protection state at Duty Ratio ≥ 40%)
Response Time	≤ 20 us
Trigger Frequency	15 to 250 Hz
Service Life	≥ 50000 Hours
General	
Power	AC 220 V ±20%, 0.25 A, max. 54 W, 3-core terminal block
Material	Aluminium alloy
Dimensions	322 mm × 271 mm × 118 mm (12.7" × 10.7" × 4.6") (L × W × H)
Package Dimensions	430 mm × 380 mm × 215 mm (16.9" × 15.0" × 18.1") (L × W × H)
Weight	Approx. 5.1 kg (11.24 lb.)
With Package Weight	Approx. 6.28 kg (13.85 lb.)
Operating Condition	-40 °C to 70 °C (-40 °F to 158 °F). Humidity: 10% to 90% (non-condensing)
Storage Condition	-40 °C to 70 °C (-40 °F to 158 °F). Humidity 95% or less (Non-condensing)
Approval	
EMC	EN 50130-4:2011+A1:2014, EN 55032:2015+A11:2020+A1:2020, EN 61000-3-3:2013+A1:2019+A2:2021, EN IEC 61000-3-2:2019+A1:2021
Safety	CB: IEC 60598-1:2020, IEC 60598-2-5:2015, IEC 62031:2018, IEC TR 62778:2014, CE-LVD: EN 60598-1, EN 60598-2-5, EN 62031
Protection	IP66: IEC 60529: 1989+A1: 1999+A2: 2013
Environment	CE-RoHS: 2011/65/EU, WEEE: 2012/19/EU, Reach: Regulation (EC) No 1907/2006

## ▪ Typical Application

Hikvision products are classified into three levels according to their anti-corrosion performance. Refer to the following description to choose for your using environment.

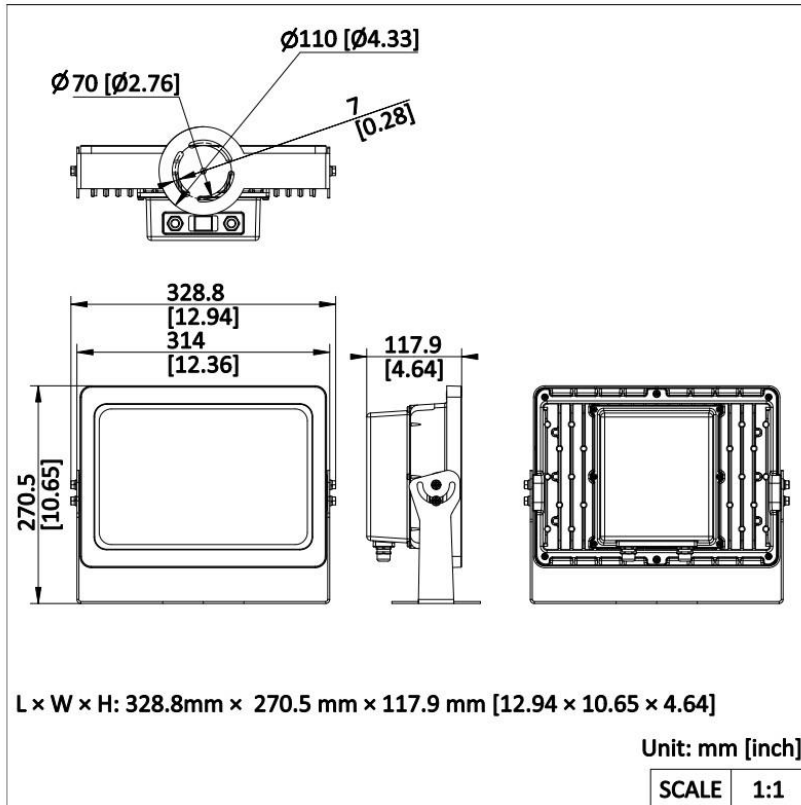
-Y model: This model has MODERATE PROTECTION.

Without -Y model: This model has NO SPECIFIC PROTECTION.

Level	Description
Top-level protection	Hikvision products at this level are equipped for use in areas where professional anti-corrosion protection is a must. Typical application scenarios include coastlines,



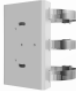
	docks, chemical plants, and more.
Moderate protection	Hikvision products at this level are equipped for use in areas with moderate anti-corrosion demands. Typical application scenarios include coastal areas about 2 kilometers (1.24 miles) away from coastlines, as well as areas affected by acid rain.
No specific protection	Hikvision products at this level are equipped for use in areas where no specific anti-corrosion protection is needed.

▪ **Dimension**



▪ **Accessory**

▪ **Optional**

iDS-TCV900-HI	DS-1130-HWB/110-300	DS-1278ZJ-HWB
		

# See Far, Go Further



[www.hikvision.com](http://www.hikvision.com)  
[support@hikvision.com](mailto:support@hikvision.com)

