

**DS-2CD3T81G2-LIUF****8 MP Smart Hybrid Light Motion 2.0 Fixed Bullet Network Camera**

Hikvision has been dedicated to develop products with security since established. Hikvision always follows security by design principle and has adopted many methods of security technologies into our product development lifecycle, including terminal security, data security, application security, network security, and privacy protection. In the meantime, the security technologies used by Hikvision are all in compliance with local applicable laws and safety regulations. These security measures could enhance product's cyber security defense capability and protect your devices as well as your data from malicious cyber attacks.

- High quality imaging with 8 MP resolution
- Support Human and Vehicle Detection
- Smart Hybrid Light: advanced technology with long range
- Efficient H.265+ compression technology
- Clear imaging against strong back light due to 120 dB WDR technology
- 3D DNR technology delivers clean and sharp images
- Built-in microphone for real-time audio security
- Support on-board storage up to 512 GB (SD card slot)
- Water and dust resistant (IP67) and vandal proof (IK10)

## ▪ Specification

| Camera                      |  |
|-----------------------------|--|
| Image Sensor                | 1/2.7" Progressive Scan CMOS   |
| Max. Resolution             | 3840 × 2160  |
| Shutter Time                | 1/3 s to 1/100,000 s   |
| Min. Illumination           | Color: 0.005 Lux @ (F2.0, AGC ON), 0 Lux with light  |
| Day & Night                 | IR cut filter  |
| Angle Adjustment            | Pan: 0° to 360°, tilt: 0° to 180°, rotate: 0° to 360°  |
| Lens                        |  |
| Lens Type                   | Fixed focal lens, 4 and 6 mm optional  |
| Focal Length & FOV          | 4 mm, horizontal FOV 90°, vertical FOV 49°, diagonal FOV 108°<br>6 mm, horizontal FOV 57°, vertical FOV 30°, diagonal FOV 67°  |
| Lens Mount                  | M12  |
| Iris Type                   | Fixed  |
| Aperture                    | F2.0   |
| DORI                        |  |
| DORI                        | 4 mm, D: 102 m, O: 40 m, R: 20 m, I: 10 m<br>6 mm, D: 169 m, O: 67 m, R: 33 m, I: 16 m   |
| Illuminator                 |  |
| Supplement Light Type       | IR, White Light  |
| Supplement Light Range      | Up to 60 m   |
| Smart Supplement Light      | Yes  |
| IR Wavelength               | 850 nm   |
| Video                       |  |
| Main Stream                 | 50 Hz:<br>20 fps (3840 × 2160, 3200 × 1800, 2688 × 1520, 1920 × 1080, 1280 × 720)<br>60 Hz:<br>20 fps (3840 × 2160, 3200 × 1800, 2688 × 1520, 1920 × 1080, 1280 × 720) |
| Sub-Stream                  | 50 Hz: 20 fps (1280 × 720, 640 × 480, 640 × 360)<br>60 Hz: 20 fps (1280 × 720, 640 × 480, 640 × 360)   |
| Third Stream                | 50 Hz: 20 fps (1280 × 720, 640 × 480, 640 × 360)<br>60 Hz: 20 fps (1280 × 720, 640 × 480, 640 × 360)   |
| Video Compression           | Main stream: H.265+/H.265/H.264+/H.264,<br>Sub-stream: H.265/H.264/MJPEG   |
| Video Bit Rate              | 32 Kbps to 16 Mbps   |
| H.264 Type                  | Baseline Profile, Main Profile, High Profile   |
| H.265 Type                  | Main Profile   |
| Bit Rate Control            | CBR, VBR   |
| Region of Interest (ROI)    | 1 fixed region for main stream and sub-stream  |
| Audio                       |  |
| Audio Type                  | Mono sound   |
| Environment Noise Filtering | Yes  |
| Audio Sampling Rate         | 8 kHz/16 kHz   |
| Audio Compression           | G.711/G.722.1/G.726/MP2L2/PCM/AAC-LC   |
| Audio Bit Rate              | 64 Kbps (G.711ulaw/G.711alaw)/16 Kbps (G.722.1)/16 Kbps (G.726)/32 to 160 Kbps (MP2L2)/16 to 64 Kbps (AAC-LC)  |

| Network                          |  |
|----------------------------------|--|
| Protocols                        | TCP/IP, ICMP, DHCP, DNS, HTTP, RTP, RTSP, RTCP, NTP, IGMP, IPv4, IPv6, UDP, QoS, FTP, SMTP, HTTPS, DDNS, UPnP, 802.1X  |
| API                              | ONVIF (Profile S, Profile G, Profile T), ISAPI, SDK  |
| Security                         | Password protection, complicated password, HTTPS encryption, 802.1X authentication (EAP-MD5), watermark, basic and digest authentication for HTTP/HTTPS, WSSE and digest authentication for Open Network Video Interface, RTP/RTSP over HTTPS, security audit log, TLS 1.2, TLS 1.3, host authentication (MAC address) |
| Simultaneous Live View           | Up to 6 channels   |
| User/Host                        | Up to 32 users<br>3 user levels: administrator, operator, and user   |
| Client                           | iVMS-4200, Hik-Connect   |
| Web Browser                      | Plug-in required live view: IE 11,<br>Local service: Chrome 80+, Firefox 80+, Edge 89+, Safari 13+   |
| Image                            |  |
| Wide Dynamic Range (WDR)         | 120 dB   |
| SNR                              | ≥ 52 dB  |
| Day/Night Switch                 | Day, Night, Auto, Schedule   |
| Image Enhancement                | BLC, HLC, 3D DNR   |
| Image Settings                   | Rotate mode, saturation, brightness, contrast, sharpness, gain, white balance, adjustable by client software or web browser  |
| Privacy Mask                     | 4 programmable polygon privacy masks   |
| Interface                        |  |
| Ethernet Interface               | 1 RJ45 10 M/100 M self-adaptive Ethernet port  |
| On-Board Storage                 | Built-in memory card slot, support microSD/microSDHC/microSDXC card, up to 512 GB  |
| Built-in Microphone              | Yes, 1 built-in microphone   |
| Reset Key                        | Yes  |
| Event                            |  |
| Basic Event                      | Motion detection (support alarm triggering by specified target types (human and vehicle)), video tampering alarm, exception  |
| Smart Event                      | Line crossing detection, intrusion detection   |
| Linkage                          | Upload to FTP/memory card, notify surveillance center, send email, trigger recording, trigger capture  |
| General                          |  |
| Power                            | 12 VDC ± 25%, 0.54 A, max. 6.5 W, Ø5.5 mm coaxial power plug, reverse polarity protection,<br>PoE: IEEE 802.3af, Class 3, max. 7 W   |
| Material                         | Front cover: metal, body: metal, bracket: metal  |
| Dimension                        | 221.1 mm × 83.7 mm × 80.7 mm (8.7" × 3.3" × 3.2")  |
| Package Dimension                | 260 mm × 125 mm × 125 mm (10.24" × 4.92" × 4.92")  |
| Weight                           | Approx. 425 g (0.9 lb.)  |
| With Package Weight              | Approx. 670 g (1.5 lb.)  |
| Storage Conditions               | -30 °C to 60 °C (-22 °F to 140 °F). Humidity 95% or less (non-condensing)  |
| Startup and Operating Conditions | -30 °C to 60 °C (-22 °F to 140 °F). Humidity 95% or less (non-condensing)  |

|                  |   |
|------------------|---|
| Language         | English, Ukrainian  |
| General Function | Heartbeat,mirror,flash log,password reset via email,pixel counter,password protection,anti-banding  |
| <b>Approval</b>  |   |
| EMC              | CE-EMC: EN 55032:2015+A1:2020, EN 50130-4:2011+A1:2014, EN IEC 61000-3-2:2019+A1:2021, EN 61000-3-3:2013+A1:2019+A2:2021, IC: ICES-003: Issue 7 |
| Safety           | UL: UL 62368-1,<br>CB: IEC 62368-1: 2014+A11,<br>CE-LVD: EN 62368-1: 2014/A11: 2017,<br>BIS: IS 13252 (Part 1): 2010/IEC 60950-1: 2005          |
| Environment      | CE-RoHS: 2011/65/EU   |
| Protection       | IP67:IEC 60529-2013,IK10:IEC 62262:2002   |

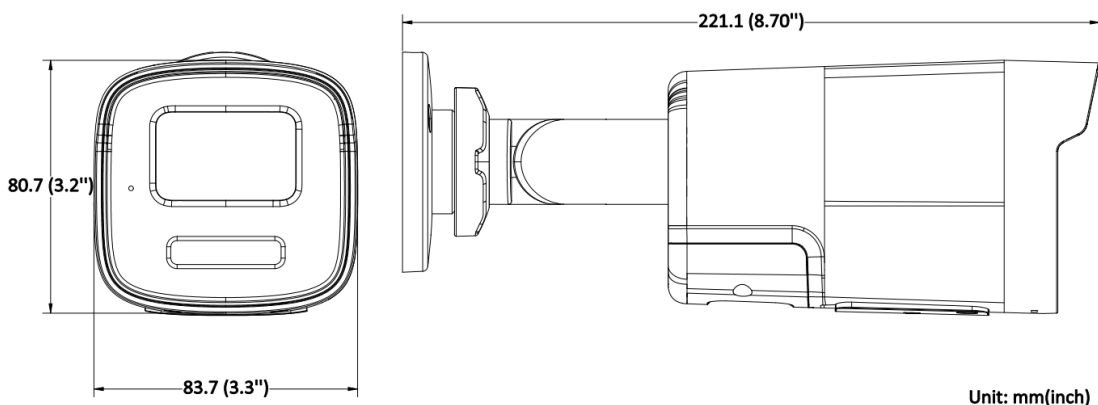
### ▪ Typical Application

Hikvision products are classified into three levels according to their anti-corrosion performance. Refer to the following description to choose for your using environment.

This model has NO SPECIFIC PROTECTION.




| Level                  | Description  |
|------------------------|--|
| Top-level protection   | Hikvision products at this level are equipped for use in areas where professional anti-corrosion protection is a must. Typical application scenarios include coastlines, docks, chemical plants, and more.   |
| Moderate protection    | Hikvision products at this level are equipped for use in areas with moderate anti-corrosion demands. Typical application scenarios include coastal areas about 2 kilometers (1.24 miles) away from coastlines, as well as areas affected by acid rain. |
| No specific protection | Hikvision products at this level are equipped for use in areas where no specific anti-corrosion protection is needed.  |

### ▪ Dimension

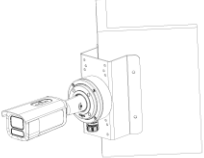
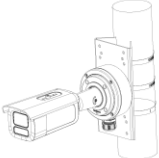
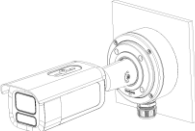


### ▪ Accessory

▪ **Optional**

| DS-1276ZJ-SUS   | DS-1275ZJ-SUS   | DS-1280ZJ-XS  |
|---|---|---|
|  |  |  |

▪ **Installation Methods**

| <b>Corner Mounting</b><br>DS-1276ZJ-SUS+DS-1280ZJ-XS                               | <b>Vertical Pole Mounting</b><br>DS-1275ZJ-SUS+DS-1280ZJ-XS                        | <b>Junction Box</b><br>DS-1280ZJ-XS   |
|--|--|---|
|  |  |  |

# See Far, Go Further



[www.hikvision.com](http://www.hikvision.com)  
[support@hikvision.com](mailto:support@hikvision.com)

