

DS-2SF7C442MXG2/LM-ELY/26

DeepinViewX TandemVu 7C Series Panoramic 4 MP 42X DarkFighter Network Speed Dome

DarkFighter 2.0**DeepinView X**

Hikvision has been dedicated to develop products with security since established. Hikvision always follows security by design principle and has adopted many methods of security technologies into our product development lifecycle, including terminal security, data security, application security, network security, and privacy protection. In the meantime, the security technologies used by Hikvision are all in compliance with local applicable laws and safety regulations. These security measures could enhance product's cyber security defense capability and protect your devices as well as your data from malicious cyber attacks.

- Dedicated large scale AI model for perimeter protection
- Captures a large area and great details at the same time
- High quality imaging with 6 MP resolution for panoramic channel and 4 MP resolution for PTZ channel
- 24/7 colorful imaging and excellent low-light performance with DarkFighter technology
- Bullet channel tilt adjustable from 12° to 24°
- Secures an expansive area with 42 × optical zoom and 16 × digital zoom
- Expansive night view with up to 60 m hybrid light distance and 400 m IR distance
- Supports deep learning functions
- Water and dust resistant (IP67) and vandal resistant (IK10) excluding glass window
- Smart Pan-Tilt Correction

▪ Specification

| Camera | |
|------------------------|---|
| Image Sensor | [Bullet channel] 1/2.5" Progressive Scan CMOS, [PTZ channel] 1/1.8" Progressive Scan CMOS |
| Min. Illumination | [Bullet channel] Color: 0.0005 Lux @ (F1.0, AGC ON), B/W: 0.0002 Lux @ (F1.0, AGC ON), 0 Lux with light, [PTZ channel] Color: 0.0003 Lux @ (F1.2, AGC ON), B/W: 0.0001 Lux @ (F1.2, AGC ON), 0 Lux with IR |
| Shutter Speed | 1/25 s to 1/30000 s |
| Slow Shutter | Yes |
| Day & Night | [Bullet channel] Color, [PTZ channel] IR cut filter |
| Zoom | [PTZ channel] 42 × optical, 16 × digital |
| Max. Resolution | [Bullet channel] 3680 × 1656, [PTZ channel] 2688 × 1520 |
| Lens | |
| Zoom Speed | [Bullet channel] No, [PTZ channel] approx. 1 s |
| Focus | Auto, semi-auto, manual |
| Focal Length | [Bullet channel] 2.8 mm, [PTZ channel] 6 to 252 mm |
| FOV | [Bullet channel] horizontal field of view: 190° ± 10°, vertical field of view: 80° ± 10°, diagonal field of view: 198° ± 10°, [PTZ channel] horizontal field of view: 59.1° to 2°, vertical field of view: 34.1° to 1.1°, diagonal field of view: 67.1° to 2.3° |
| Aperture | [Bullet channel] F1.0, [PTZ channel] F1.2 |
| Illuminator | |
| Supplement Light Type | [Bullet channel] White Light and IR, [PTZ channel] IR |
| Supplement Light Range | [Bullet channel] White Light: up to 40 m, IR: up to 60 m [PTZ channel] IR: up to 400 m |
| Smart Supplement Light | Yes |
| PTZ | |
| Movement Range (Pan) | [PTZ channel] 0° to 360° |
| Movement Range (Tilt) | [Bullet channel] 12° to 24°, [PTZ channel] -20° to 90° |
| Pan Speed | [PTZ channel] pan speed: configurable from 0.1° to 160°/s, preset speed: 240°/s |
| Tilt Speed | [Bullet channel] tilt speed configurable, [PTZ channel] tilt speed: configurable from 0.1° to 120°/s, preset speed 200°/s |
| Proportional Pan | [Bullet channel] No, [PTZ channel] Yes |
| Presets | 300 |
| Patrol Scan | 8 patrols, up to 32 presets for each patrol |
| Pattern Scan | 4 pattern scans, record time over 10 minutes for each scan |
| Power-off Memory | Yes |
| Park Action | Preset, pattern scan, patrol scan, auto scan, tilt scan, random scan, frame scan, panorama scan |
| 3D Positioning | Yes |
| PTZ Status Display | Yes |
| Preset Freezing | Yes |
| Scheduled Task | Preset, pattern scan, patrol scan, auto scan, tilt scan, random scan, frame scan, panorama scan, dome reboot, dome adjust, aux output |

| Video | |
|-----------------------------|--|
| Main Stream | [Bullet channel] 50 Hz: 25 fps (3632 ×1632 , 3680 ×1656), 60 Hz: 30 fps (3632 ×1632 , 3680 ×1656),[PTZ channel] 50 Hz: 50 fps (2688 × 1520 ,2560 × 1440 ,1920 × 1080 ,1280 × 960 ,1280 × 720), 60 Hz: 60 fps (2688*1520 ,2560 × 1440 ,1920 × 1080 ,1280 × 960 , 1280 × 720) |
| Sub-Stream | [Bullet channel] 50 Hz: 25 fps (960 × 432,1200×536), 60 Hz: 25 fps (960 × 432,1200×536),[PTZ channel] 50 Hz: 25 fps (704 × 576 , 640 × 480 , 352 × 288), 60 Hz: 30 fps (704 × 480 , 640 × 480 , 352 × 240) |
| Third Stream | [Bullet channel] No,[PTZ channel] 50 Hz: 25 fps (1920 × 1080, 1280 × 960, 1280 × 720, 704 × 576, 640 × 480, 352 × 288), 60 Hz: 30 fps (1920 × 1080, 1280 × 960, 1280 × 720, 704 × 480, 640 × 480, 352 × 240) |
| Video Compression | Main stream: H.265+/H.265/H.264+/H.264, Sub-stream: H.265/H.264/MJPEG, Third stream: H.265/H.264/MJPEG |
| Video Bit Rate | 32 Kbps to 16 Mbps |
| H.264 Type | Baseline profile,Main profile,High profile |
| H.265 Type | Main profile |
| Scalable Video Coding (SVC) | H.264 and H.265 encoding |
| Region of Interest (ROI) | 8 fixed regions for each stream |
| Audio | |
| Audio Compression | G.711,MP2L2,AAC-LC,MP3,G.726,G.722.1,PCM |
| Audio Bit Rate | 64 Kbps (G.711ulaw/G.711alaw),32 to 192 Kbps (MP2L2),16 to 64Kbps (AAC-LC),8 to 320 Kbps (MP3),16 Kbps (G.726),16 Kbps (G.722.1) |
| Audio Sampling Rate | 8 kHz,16 kHz,32 kHz,48 kHz |
| Environment Noise Filtering | Yes |
| Network | |
| API | ISAPI,SDK,ISUP,ISUP, ISAPI, Hikvision SDK, Open Network Video Interface (Profile S, Profile G, Profile T, Profile M) , OTAP |
| Security | Password protection,complicated password,watermark,control timeout settings,HTTPS encryption,IP address filter,802.1X authentication (EAP-TLS, EAP-LEAP, EAP-MD5),basic and digest authentication for HTTP/HTTPS,WSSE and digest authentication for Open Network Video Interface, RTP/RTSP over HTTPS,security audit log,host authentication (MAC address),TLS 1.3,TLS 1.2 |
| Network Storage | NAS (NFS, SMB/CIFS),auto network replenishment (ANR) |
| Protocols | IPv4/IPv6,HTTP,HTTPS,802.1X,QoS,SMTP,UPnP,SNMP,DNS,DDNS,NTP,RTSP,RTCP,RTP,TCP/IP,UDP,IGMP,ICMP,DHCP,PPPoE,Bonjour,FTP |
| Simultaneous Live View | Up to 20 channels |
| User/Host | Up to 32 users. 3 user levels: administrator, operator, and user |
| Client | iVMS-4200,HikCentral Pro,Hik-Connect |
| Web Browser | Plug-in free live view: Chrome 57.0+, Firefox 52.0+, Edge 89+, Safari 11+ ; Local service: Chrome 57.0+, Firefox 52.0+, Edge 89+ |

| AI Open Platform | |
|-----------------------------|---|
| Model Specification | Model type for AI Open Platform trained algorithm loading: high-performance model (small model), enhanced high-performance model (hybrid small-large model), and ultra-high-precision model (large model). Supports 4 model packages, each capable of detecting 16 target types and classifying 1 target. The device runs up to 2 small models or 1 large model at the same time. |
| Task Type | <p>Algorithm type for AI Open Platform high-performance model (small model): Detection, Classification, Mixed (maximum: 1 detection + 7 classifications), OCR, Segmentation, Image Comparison. Supports simultaneous independent operation of 2 models. Supports video analysis and image analysis.</p> <p>Algorithm type for AI Open Platform enhanced high-performance model (hybrid small-large model): Detection, Classification, Mixed (maximum: 1 detection + 7 classifications). Supports video real-time analysis.</p> <p>Algorithm type for AI Open Platform ultra-high-precision model (large model): Detection, Classification, Mixed (maximum: 1 detection + 7 classifications), OCR. Supports image scheduled analysis and I/O-triggered analysis.</p> <p>Supports algorithm orchestration for comparison. Supports importing user-defined orchestration packages (3 operator nodes, 5 logic nodes) for scenario-based application deployment.</p> |
| Event Type | Region target exception status detection, region target number counting, area overlap ratio counting, area overlap ratio exception detection, area status change detection, line crossing target detection, line crossing target counting, OCR trigger, full analysis rule, combined rule |
| Rule Setting | Up to 16 rules. Supports moving target filtering and shield region setting. |
| Image | |
| Day/Night Switch | Day,night,auto,schedule |
| Image Enhancement | HLC,3D DNR |
| Wide Dynamic Range (WDR) | [Bullet channel] 120 dB, [PTZ channel] 150 dB |
| Defog | Digital defog |
| Image Stabilization | EIS (Built-in gyroscope to improve EIS performance) |
| Regional Exposure | Yes |
| Regional Focus | [Bullet channel] No, [PTZ channel] Yes |
| Image Settings | Saturation, brightness, contrast, sharpness, gain, and white balance adjustable by client software or web browser |
| Image Parameters Switch | Yes |
| Privacy Mask | [Bullet channel] No, [PTZ channel] 24 programmable polygon privacy masks; mask color or mosaic configurable |
| SNR | ≥ 52 dB |
| Supplement Detection | |
| Satellite Positioning | No |
| Gyroscope | Yes |
| Compass | No |
| Interface | |
| Ethernet Interface | 1 RJ45 100M self-adaptive Ethernet port |
| On-board Storage | Built-in memory card slot, support microSD/microSDHC/microSDXC card, up to 1TB . |
| Alarm | 7 input(s), 2 output(s) |

| | |
|---------------------------------|---|
| Audio | 1 input (line in), max. input amplitude: 2-2.4 vpp, input impedance: 1 K Ω \pm 10%, 1 output (line out), line level, output impedance: 600 Ω |
| RS-485 | 1 RS-485 (Half duplex, HIKVISION, Pelco-P, Pelco-D, self-adaptive) |
| Reset | Yes |
| Large Models | |
| Perimeter Protection | Line crossing, intrusion, region entrance, region exiting Support alarm triggering by specified target types (human and vehicle) Support combined event alarm triggering Dedicated large scale AI model for perimeter protection, reduce false alarms by 90% compared to conventional AI cameras VCA range: [Bullet channel] up to 40m(nighttime)/60m(daytime), [PTZ channel] Wide: up to 70m(nighttime)/100m(daytime), Tele: up to 400m *Result based on standard setup and test environment |
| Scenario-Aware Object Detection | This function is based on the large model technology combined with image classification detection. It can automatically detect and identify scene categories in the detection area, including road, intersection, toll station, petrol station, open-air square, vehicle entrance and exit, and person entrance and exit, etc. The PTZ camera will rotate 360° to capture and label the scenes. For automatically recognize the scene information of captured image.- Real-time detection mode: the PTZ camera completes the full-scene capture, detection, and recognition output within 10 minutes in 360°.- Scheduled detection mode: the scheduled time can be set, and pictures can be collected every day or week. The collected pictures will be stored in eMMC, and the detection results will be output at 2 AM by default. The detection results and labels can be uploaded as alarms, and the alarm should include the camera IP address, port No., channel No., capture time, upload time, picture, PTZ coordinates, label ID, label name, and OCR information, as well as the coordinates of each OCR. |
| Event | |
| Basic Event | [PTZ channel & bullet channel] alarm input and output, exception, [PTZ channel] video tampering alarm |
| Smart Event | unattended baggage detection, object removal detection |
| Linkage | [PTZ channel] Upload to FTP/NAS/memory card, notify surveillance center, send email, trigger alarm output, trigger recording, audible warning, white light flashing, and PTZ actions (such as preset, patrol scan, pattern scan), [Bullet channel] Upload to FTP/NAS/memory card, notify surveillance center, send email, trigger alarm output, and trigger recording |
| Deep Learning Function | |
| Multi-Target-Type Detection | [PTZ channel] Supports simultaneous detection and capture of human body, face and vehicle |
| Face Capture | Detects up to 30 faces simultaneously, Uploads face with background and closed-up face pictures |
| Face Comparison | Up to 10 face libraries. 30000 faces for each library. 150000 faces in total |

| | |
|------------------------------------|---|
| Road Traffic and Vehicle Detection | <p>Smart Function:</p> <p>Support license plate recognition of vehicles and motorcycles (only in checkpoint scenario)</p> <p>Support vehicle attribute detection, including vehicle type, color, brand, driving direction, etc.</p> <p>Support vehicle and non-vehicle counting</p> <p>Blocklist and allowlist: up to 10,000 records</p> <p>LPR Countries/Regions:</p> <p>4 areas (Europe, Middle East, Asia-Pacific, Africa) and more than 124 countries/regions</p> <p>Accuracy (Under recommended installation and lighting conditions):</p> <p>License plate recognition rate $\geq 98\%$</p> <p>Capture rate $\geq 99\%$</p> <p>Driving direction accuracy rate $\geq 98\%$</p> <p>Vehicle Capture Speed:</p> <p>Front installation in checkpoint scenario: up to 120 km/h</p> <p>Side installation: up to 80 km/h</p> <p>Capture Mode: License Plate and Vehicle Mode, Vehicle Priority Mode</p> |
| People Density | Supports detecting the level of people density in the configured area, [PTZ channel]: no, [Panoramic channel]: yes |
| Linkage and Tracking | |
| Smart Tracking | Manual tracking, auto-tracking 3.0 |
| Smart Linkage | Manual tracking, auto tracking, tracking takeover, linked tracking capture |
| Object Tracking | Support person arming. When the device detects the armed face or human body in the monitoring scene, it triggers alarms, and tracks and captures the target. During the tracking, the target location and other related information are uploaded. Support vehicle arming. When the device detects the armed vehicles in the monitoring scene, it triggers alarms, and tracks and captures the target. During the tracking, the target location and other related information are uploaded. |
| General | |
| Power | 36 VDC \pm 25%, max. 90 W (Max. 65 W, including max. 15 W for IR and max. 8 W for heater), PoE 802.3bt, type4, class8, max. 90W (Max. 65W, including max. 15W for IR and max. 8 W for heater) |
| General Function | mirror, password protection |
| Operating Condition | -40 °C to 70 °C (-40 °F to 158 °F). Humidity 95% or less (non-condensing) |
| Wiper | No |
| Demist | Yes |
| Material | ADC12 |
| Dimension | $\varnothing 260$ mm \times 382.9 mm ($\varnothing 10.24$ " \times 15.07") |
| Weight | Approx. 8.1 kg (17.86 lb.) |
| Language | 33 languages: English, Russian, Estonian, Bulgarian, Hungarian, Greek, German, Italian, Czech, Slovak, French, Polish, Dutch, Portuguese, Spanish, Romanian, Danish, Swedish, Norwegian, Finnish, Croatian, Slovenian, Serbian, Turkish, Korean, Traditional Chinese, Thai, Vietnamese, Japanese, Latvian, Lithuanian, Portuguese (Brazil), Ukrainian |
| Approval | |
| EMC | CE-EMC (EN 50130-4:2011+A1:2014, EN 55032:2015+A11:2020+A1:2020, EN 61000-3-3:2013+A1:2019+A2:2021, EN IEC 61000-3-2:2019+A1:2021) |

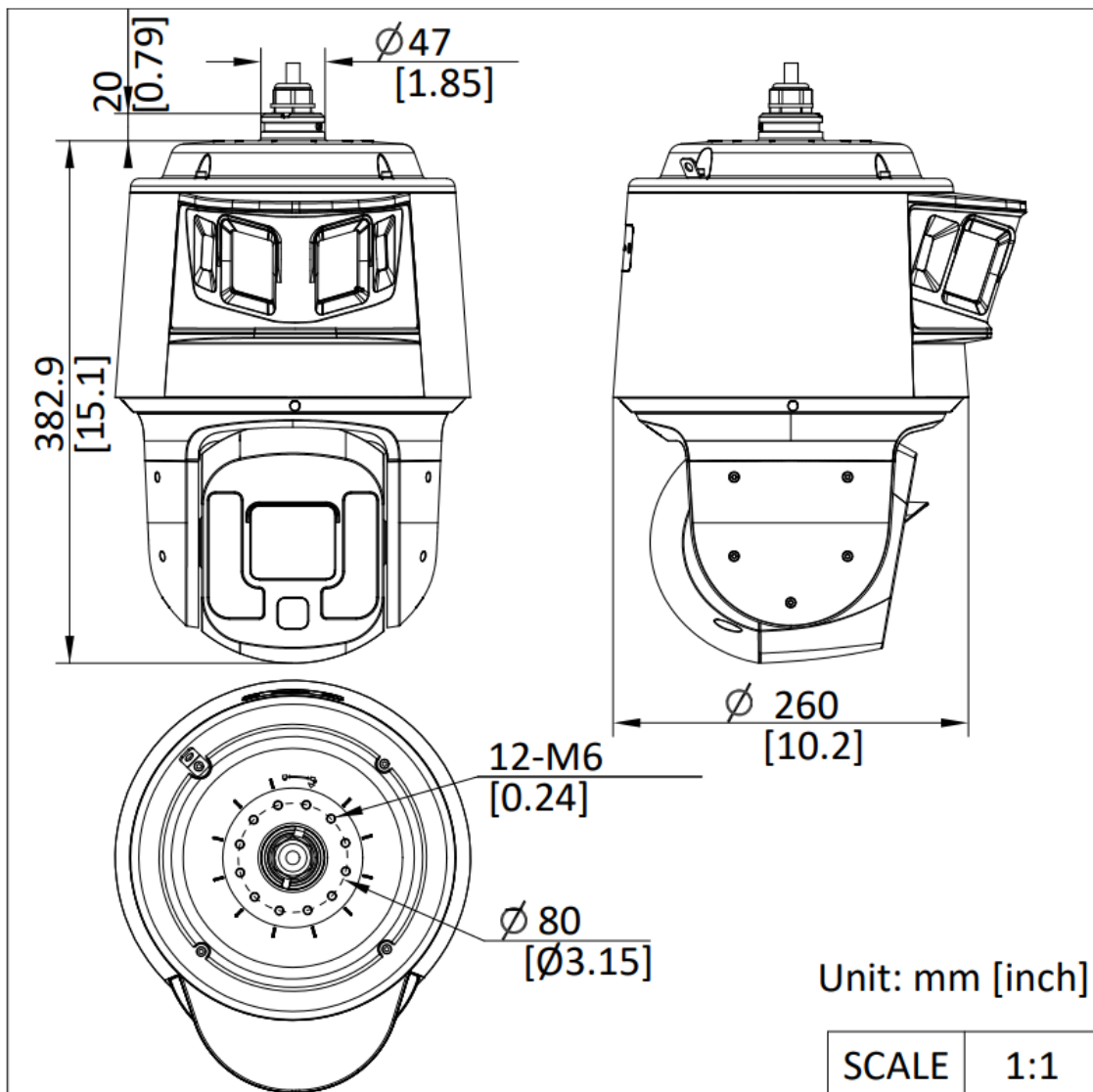
| | |
|---------------------------|--|
| Safety | CE-LVD (EN 62368-1:2014 + A11:2017),CB (IEC 62368-1:2014) |
| Environment | CE-RoHS (2011/65/EU and its amendment (EU)2015/863) |
| Protection | IP67 (IEC 60529:1989+AMD1:1999+AMD2:2013),IK10 (IEC 62262:2002, excluding glass window),Lightning Protection,Surge Protection and Voltage Transient Protection,±6kV Line to Gnd, ±3kV Line to Line |
| Anti-Corrosion Protection | Model with -Y: NEMA 4X (NEMA 250-2018), Model without -Y: No |

▪ DORI

The DORI (detect, observe, recognize, identify) distance gives the general idea of the camera ability to distinguish persons or objects within its field of view. It is calculated based on the camera sensor specification and the criteria given by EN 62676-4: 2015.


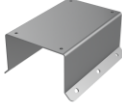


| DORI | Detect | Observe | Recognize | Identify |
|----------------------------------|---------|---------|-----------|----------|
| Definition | 25 px/m | 63 px/m | 125 px/m | 250 px/m |
| [Bullet channel] Distance | 38.6m | 15.3m | 7.7m | 3.9m |
| [PTZ channel] Distance (Tele) | 3475.9m | 1379.3m | 695.2m | 347.6m |

▪ Dimension

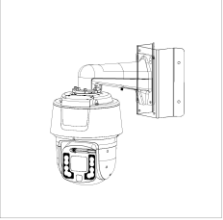
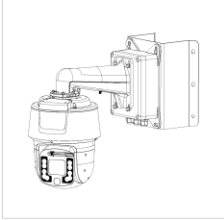
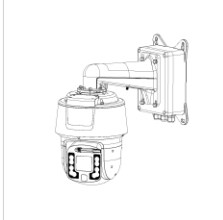



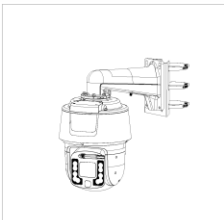



▪ **Accessory**

▪ **Optional**

| | | | | |
|--|--|--|--|---|
| DS-1276ZJ-P-Y | DS-4660ZJ-PSLY | DS-1674ZJ-P-Y | DS-4603ZJ-PAAC | DS-4612ZJ-PAAC |
|  |  |  |  |  |
| DS-4650ZJ-PSLY | DS-1684ZJ-P-Y | DS-1673ZJ-P-Y | | |
|  |  |  | | |

▪ **Installation Methods**

| | | | | |
|---|---|---|--|---|
| Corner Mounting DS-1276ZJ-P-Y+DS-4603ZJ-PAAC | Corner Mounting DS-4660ZJ-PSLY+DS-4603ZJ-PAAC+DS-1674ZJ-P-Y | Junction Box DS-1674ZJ-P-Y+DS-4603ZJ-PAAC | Wall Mounting DS-4603ZJ-PAAC | Pendant Mounting DS-4612ZJ-PAAC |
|  |  |  |  |  |
| Vertical Pole Mounting DS-4650ZJ-PSLY+DS-4603ZJ-PAAC+DS-1674ZJ-P-Y | Vertical Pole Mounting DS-1684ZJ-P-Y+DS-4603ZJ-PAAC | Horizontal Pole Mounting DS-1673ZJ-P-Y+DS-4612ZJ-PAAC | | |
|  |  |  | | |

See Far, Go Further



www.hikvision.com
support@hikvision.com

