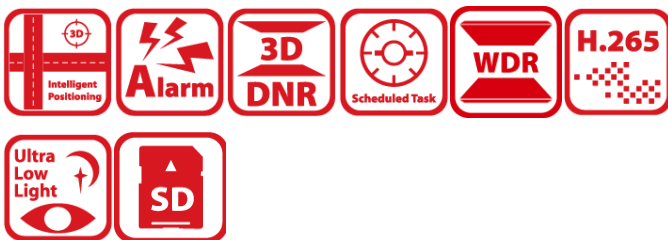


**DS-2DP8A440IXG1-LEF/832(F0)  
32MP 360° Panoramic & PTZ Camera**

Hikvision DS-2DP8A440IXG1-LEF/832(F0) 360° Stitched 32 MP PanoVu Camera with PTZ is able to capture panoramic images as well as close-up images. The panoramic images are captured by 8 sensors for 360° panorama monitoring. The integration of two cameras can locate the details fast over expansive area. Furthermore, with advanced video analysis and multiple targets tracking algorithms, the PanoVu camera features a wide range of smart functions for multiple targets within the panoramic view, including intrusion detection, line crossing detection, region entrance detection, and region exiting detection. The camera can output alarm signals and link the PTZ for tracking to improve the security efficiency. This product is suitable for the application scenarios that require expansive monitoring and detail capture, such as airports, stations, stadiums, playgrounds, scenic areas, and public squares.

- High quality imaging with 32 MP resolution, up to 2 × 5520 × 2400 @30 fps for panoramic channels
- True 360° coverage with eight F1.0 lenses, no blind spots in the panoramas
- Excellent low-light performance with DarkFighter 2.0 technology
- 40x optical zoom and 16x digital zoom provide close up views over expansive areas
- Expansive night view with up to 300 m IR distance
- With one click on the panoramic channel, the PTZ channel shows the details automatically
- Continuous and stable manual tracking, auto-tracking, and panorama tracking
- Automatic switch between multiple targets
- Supports 7 alarm inputs, 2 alarm outputs, 1 audio input, and 1 audio output

## ▪ Specification

| Camera                 |  |
|------------------------|--|
| Image Sensor           | [Panoramic channel]: 1/1.8" progressive scan CMOS, [PTZ channel]: 1/1.8" progressive scan CMOS   |
| Max. Resolution        | 11040 × 3616   |
| Min. Illumination      | [Panoramic channel] Color: 0.0005 Lux (F1.0, AGC ON), B/W: 0.0001 Lux (F1.0, AGC ON);<br>[PTZ channel]: 0.0005 Lux (F1.2, AGC ON), B/W: 0.0001 Lux (F1.2, AGC ON), 0 Lux with IR |
| Shutter Speed          | 1 s to 1/30000 s   |
| Day & Night            | IR cut filter  |
| Zoom                   | [PTZ channel] 40x optical, 16x digital   |
| Slow Shutter           | Yes  |
| Lens                   |  |
| Focal Length           | [Panoramic channel] 2 mm, [PTZ channel] 6 to 240 mm  |
| FOV                    | [Panoramic channel] Horizontal FOV 360°, vertical FOV 110° ; [PTZ channel] Horizontal FOV 56.6° to 1.8°, vertical FOV 33.7° to 1.0°, diagonal FOV 63.4° to 2.0°                  |
| Focus                  | Auto, semi-auto, manual, rapid focus   |
| Aperture               | [Panoramic channel] Max. F1.0, [PTZ channel] Max. F1.36  |
| Zoom Speed             | [PTZ channel] Approx. 5.6 s  |
| Illuminator            |  |
| Supplement Light Type  | IR   |
| Supplement Light Range | IR distance: up to 300 m   |
| Smart Supplement Light | Yes  |
| PTZ                    |  |
| Movement Range (Pan)   | 360°   |
| Movement Range (Tilt)  | -15° to 90° (auto flip)  |
| Pan Speed              | [Power adaptor]: Pan speed: configurable from 0.1° to 500°/s, preset speed: 500°/s<br>[POE]: Pan speed: configurable from 0.1° to 210°/s, preset speed: 240°/s                   |
| Proportional Pan       | [Panoramic channel]: no; [PTZ channel]: yes  |
| Tilt Speed             | [Power adaptor]: Tilt speed: configurable from 0.1° to 350°/s, preset speed 350°/s<br>[POE]: Tilt speed: configurable from 0.1° to 150°/s, preset speed 200°/s                   |
| Presets                | 300  |
| Preset Freezing        | Yes  |
| Patrol Scan            | 8 patrols, up to 32 presets for each patrol  |
| Pattern Scan           | 4 pattern scans, record time over 10 minutes for each scan   |
| Park Action            | Preset, pattern scan, patrol scan, auto scan, tilt scan, random scan, frame scan, panorama scan  |
| 3D Positioning         | Yes  |
| PTZ Status Display     | Yes  |
| Scheduled Task         | Preset, pattern scan, patrol scan, auto scan, tilt scan, random scan, frame scan, panorama scan, dome reboot, dome adjust, aux output  |
| Power-off Memory       | Yes  |

| Video                    |  |
|--------------------------|--|
| Main Stream              | <p>[Panoramic channel] : 50Hz:12.5fps(11040x3616)</p> <p>[Panoramic channel] : 50Hz: 25fps (11040x2400,8160x1800,6096x1320) 60Hz: 24fps (11040x2400,8160x1800,6096x1320 )</p> <p>[PTZ channel]:50Hz:25fps (2688x1520 , 2560x1440,1920x1080,1280x960,1280x720)</p> <p>60Hz:30fps ( 2688x1520 , 2560x1440,1920x1080,1280x960,1280x720)</p> |
| Sub-Stream               | <p>[Panoramic channel]:</p> <p>50 Hz: 25 fps (3072 × 1280, 1560 × 656, 704 × 320)</p> <p>60 Hz: 30 fps (3072 × 1280, 1560 × 656, 704 × 320)</p> <p>[PTZ channel]:</p> <p>50 Hz: 25 fps (704 × 576, 640 × 480, 352 × 288);</p> <p>60 Hz: 30 fps (704 × 480, 640 × 480, 352 × 240)</p>   |
| Third Stream             | <p>[Panoramic channel]: no</p> <p>[PTZ channel]:</p> <p>50 Hz: 25 fps (1920 × 1080, 1280 × 960, 1280 × 720, 704 × 576, 640 × 480, 352 × 288)</p> <p>60 Hz: 30 fps (1920 × 1080, 1280 × 960, 1280 × 720, 704 × 480, 640 × 480, 352 × 240)</p>   |
| Video Compression        | <p>Main stream: H.265+/H.265/H.264+/H.264</p> <p>Sub-stream: H.265/H.264/MJPEG</p> <p>Third stream: H.265/H.264/MJPEG</p>  |
| Audio                    |  |
| Audio Compression        | G.711alaw, G.711ulaw, G.722.1, G.726, MP2L2, AAC, PCM  |
| Audio Sampling Rate      | PCM: 8 kHz, 16 kHz, 32 kHz, 48 kHz; MP2L2: 16 kHz, 32 kHz, 48 kHz; AAC: 16 kHz, 32 kHz, 48 kHz   |
| Network                  |  |
| Protocols                | IPv4/IPv6, HTTP, HTTPS, 802.1X, QoS, FTP, SMTP, UPnP, SNMP, DNS, DDNS, NTP, RTSP, RTP, TCP/IP, UDP, IGMP, ICMP, DHCP, PPPoE, Bonjour, SRTP   |
| Simultaneous Live View   | Up to 20 channels  |
| API                      | Open Network Video Interface (Profile S, Profile G, Profile T), ISAPI, SDK, ISUP   |
| User/Host                | Up to 32 users. 3 user levels: administrator, operator, and user   |
| Security                 | Authenticated username and password, MAC address binding, HTTPS encryption, 802.1X authenticated access, IP address filter   |
| Network Storage          | NAS (NFS, SMB/CIFS), ANR   |
| Client                   | iVMS-4200, HikCentral Pro, Hik-Connect   |
| Web Browser              | IE10-11, Chrome 57+, Firefox 52+, Safari 12+   |
| Image                    |  |
| Image Parameters Switch  | Yes  |
| Image Settings           | Saturation, brightness, contrast, sharpness, gain, and white balance adjustable by client software or web browser  |
| Day/Night Switch         | Day, night, auto, scheduled-switch   |
| Wide Dynamic Range (WDR) | [Panoramic channel] no, [PTZ channel] 120 dB   |
| SNR                      | ≥ 55 dB  |
| Defog                    | [Panoramic channel]: no; [PTZ channel]: optical defog  |
| Image Stabilization      | EIS (Built-in gyroscope to improve EIS performance)  |
| Image Enhancement        | BLC, HLC, 3D DNR   |

|                               |   |
|-------------------------------|---|
| Privacy Mask                  | Programmable polygon privacy masks (8 for panoramic channel, 24 for PTZ channel), mask color or mosaic configurable   |
| Regional Focus                | Yes   |
| Regional Exposure             | Yes   |
| <b>Interface</b>              |   |
| Ethernet Interface            | 1 RJ45 10M/100M/1000M self-adaptive Ethernet port   |
| On-board Storage              | Built-in memory card slot, support microSD/microSDHC/microSDXC card, up to 512 GB   |
| Audio                         | 1 input (line in), max. input amplitude: 2-2.4 vpp, input impedance: 1 K $\Omega$ $\pm$ 10%; 1 output (line out), line level, output impedance: 600 $\Omega$                |
| Alarm                         | 7 alarm inputs, 2 alarm outputs   |
| RS-485                        | 1 RS-485 (Half duplex, HIKVISION, Pelco-P, Pelco-D, self-adaptive)  |
| Reset                         | Yes   |
| Fiber Optical                 | 1 FC interface, built-in fiber module, 1000M, TX1310/RX1550 nm wavelength, single module fiber, up to 20 km transmission distance   |
| <b>Event</b>                  |   |
| Smart Event                   | Line crossing detection, region entrance detection, region exiting detection, unattended baggage detection, object removal detection, intrusion detection                   |
| Linkage                       | Upload to FTP/NAS/memory card, notify surveillance center, send email, trigger alarm output, trigger recording, and PTZ actions (such as preset, patrol scan, pattern scan) |
| Smart Tracking                | Manual tracking, auto-tracking, panorama tracking. Support patrol tracking among multiple detection scenes  |
| <b>Deep Learning Function</b> |   |
| People Density                | Supports detecting the level of people density in the configured area   |
| Multi-Target-Type Detection   | [PTZ channel] Supports simultaneous detection and capture of human body, face and vehicle   |
| Congestion Alarm              | Yes   |
| <b>General</b>                |   |
| Power                         | 36 VDC $\pm$ 20%, max. 135 W, including max. 12 W for IR, PoE(802.3bt) 42.5-57V  2.12A  |
| Dimension                     | $\varnothing$ 427.6 mm $\times$ 425.9 mm ( $\varnothing$ 16.8" $\times$ 16.7")  |
| Weight                        | 14.6kg  |
| Material                      | ADC12   |
| Operating Condition           | -40°C to 70°C (-40°F to 158 °F). Humidity 90% or less (non-condensing)  |
| Wiper                         | No  |
| Demist                        | Yes   |
| <b>Approval</b>               |   |
| Safety                        | CB (IEC 62368-1: 2014 + A11), CE-LVD (EN 62368-1: 2014/A11: 2017)   |
| Environment                   | CE-RoHS (2011/65/EU); WEEE (2012/19/EU); Reach (Regulation (EC) No 1907/2006)   |
| Protection                    | IP67 Standard, Lightning Protection, Surge Protection and Voltage Transient Protection, $\pm$ 6kV Line to Gnd, $\pm$ 3kV Line to Line, IEC61000-4-5, IK10                   |

## ▪ DORI

The DORI (detect, observe, recognize, identify) distance gives the general idea of the camera ability to distinguish persons or objects within its field of view. It is calculated based on the camera sensor specification and the criteria given by EN 6267 6-4: 2015.

| DORI | Detect | Observe | Recognize | Identify |
|------|--------|---------|-----------|----------|
|------|--------|---------|-----------|----------|

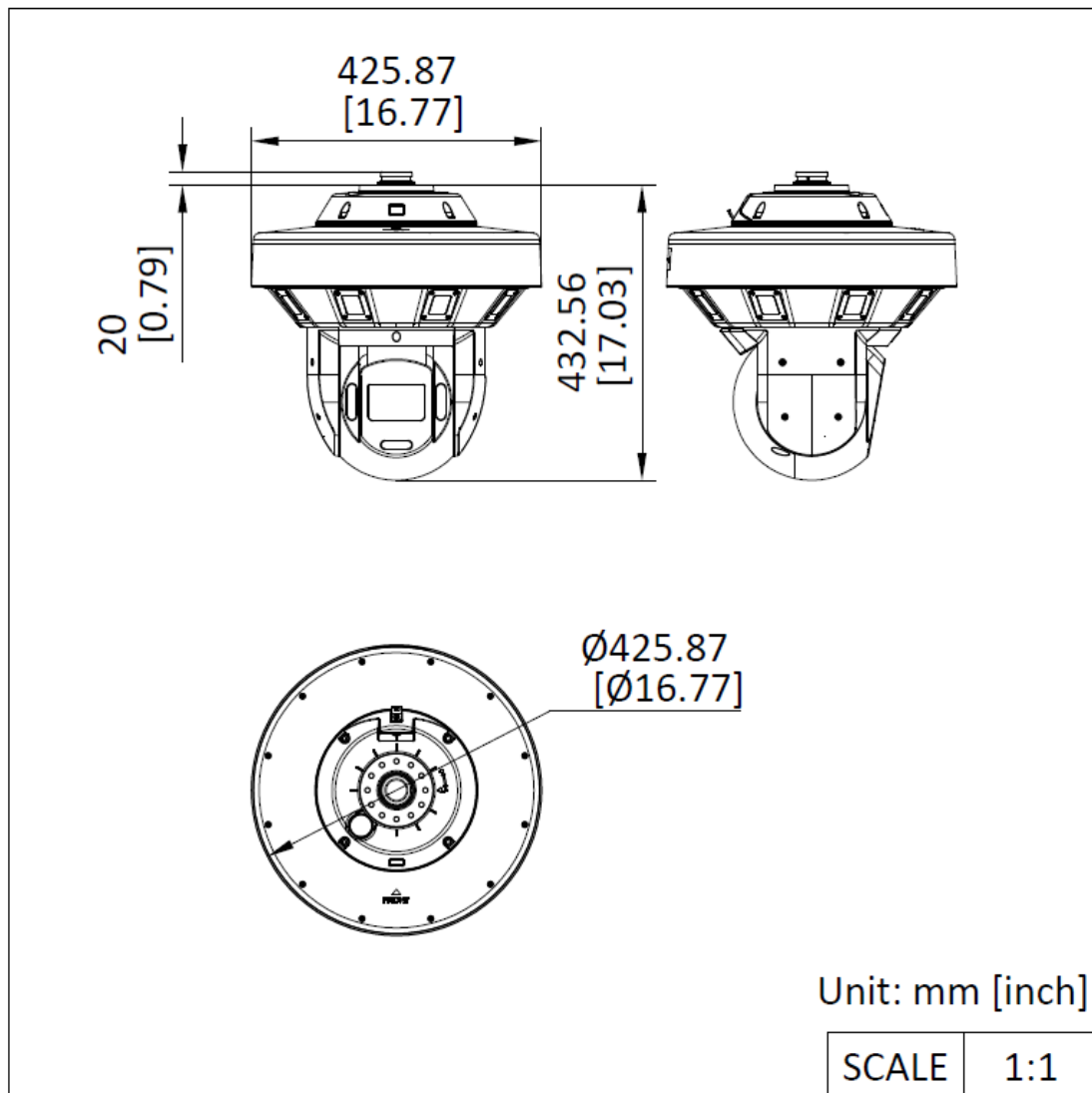
| Definition                       | 25 px/m              | 63 px/m             | 125 px/m           | 250 px/m          |
|----------------------------------|----------------------|---------------------|--------------------|-------------------|
| [Panoramic channel]<br>Distance  | 50.5m(165.6 ft.)     | 20.0(65.6 ft.)      | 10.1m(33.2 ft.)    | 5m(16.4 ft.)      |
| [PTZ channel]<br>Distance (Tele) | 2965.5m(9726.84 ft.) | 1176.8m(3859.9 ft.) | 593.1m(1945.4 ft.) | 296.6m(972.8 ft.) |

▪ **Available Model**

DS-2DP8A440IXG1-LEF/832(F0)

DS-2DP8A440IXG1-LEF/832(F0)(B)

▪ **Dimension**



▪ **Accessory**

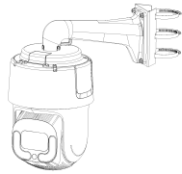
▪ **Optional**

|             |              |              |             |
|-------------|--------------|--------------|-------------|
| DS-2115ZJ-P | DS-4614ZJ-PA | DS-4604ZJ-PA | DS-1684ZJ-P |
|-------------|--------------|--------------|-------------|



▪ Installation Methods

Vertical Pole  
Mounting  
DS-1684ZJ-P+DS-4604  
ZJ-PA



# See Far, Go Further



[www.hikvision.com](http://www.hikvision.com)  
[support@hikvision.com](mailto:support@hikvision.com)

