

iDS-2CD5A86G2/V-XZ(H)S(Y)

8MP DeepinViewX Moto Varifocal Bullet Camera for Perimeter Protection

DarkFighter 2.0

DeepinView X



Hikvision has been dedicated to develop products with security since established.

Hikvision always follows security by design principle and has adopted many methods of security technologies into our product development lifecycle, including terminal security, data security, application security, network security, and privacy protection. In the meantime, the security technologies used by Hikvision are all in compliance with local applicable laws and safety regulations. These security measures could enhance product's cyber security protection capability and protect your devices as well as your data from malicious cyber attacks.

- High quality imaging with 8 MP resolution
- Excellent low-light performance via DarkFighter2.0 technology
- Efficient H.265+ compression technology to save bandwidth and storage
- Water and dust resistant (IP67), vandal proof (IK10) and corrosion resistant (NEMA 4X, optional)
- Built-in front window heater to ensure clear image under rainy or snowy weather
- Dedicated large scale AI model for perimeter protection, reduce false alarms by 90% compared to conventional AI cameras
- Powered by Guanlan large-scale model, camera supports AI Encoding to reduce storage usage by 50% while keeping image quality of key targets like human and vehicles.

## ▪ **Function**

### Perimeter Protection

With embedded deep learning based target detection and classification algorithms, the camera carries out the duty of perimeter protection, monitoring the actions of line crossing, intrusion, region entrance, and region exiting. The algorithms greatly filter out the mistaken alarm caused by the interference of leaves, lights, animal, flag, etc.

## ▪ Specification

| Camera                      |   |
|-----------------------------|---|
| Image Sensor                | 1/1.8" Progressive Scan CMOS  |
| Max. Resolution             | 3840 × 2160   |
| Min. Illumination           | B/W: 0.0002 Lux @ (F1.0, AGC ON),B/W: 0 Lux with IR,Color:0.001 Lux @ (F1.2, AGC ON),0 Lux with light   |
| Shutter Time                | 1 s to 1/100,000 s  |
| Day & Night                 | IR cut filter,<br>Blue glass module (less ghost phenomenon)   |
| Lens                        |   |
| Focal Length & FOV          | 2.8 to 12 mm, horizontal FOV 112° to 47.5°, vertical FOV 58° to 26.6°, diagonal FOV 137.5° to 54.6°   |
| Iris Type                   | P-iris  |
| Aperture                    | F1.47 to F2.53  |
| DORI                        |   |
| DORI                        | Wide: D (Detect) : 88 m, O (Observe) : 34.9 m, R (Recognize) : 17.6 m, I (Identify) : 8.8 m<br>Tele: D (Detect) : 186 m, O (Observe) : 73.8 m, R (Recognize) : 37.2 m, I (Identify) : 18.6 m<br>The DORI values are calculated using pixel densities for different use cases as recommended by the EN 62676-4 standard. |
| Illuminator                 |   |
| Supplement Light Type       | IR,White Light  |
| Supplement Light Range      | IR: up to 80 m<br>White Light: up to 60 m   |
| Smart Supplement Light      | Yes   |
| IR Wavelength               | 850 nm  |
| Video                       |   |
| Main Stream                 | 50 Hz: 25 fps (3840 × 2160, 3072 × 1728, 2560 × 1440, 1920 × 1080, 1280 × 720)<br>60 Hz: 30 fps (3840 × 2160, 3072 × 1728, 2560 × 1440, 1920 × 1080, 1280 × 720)  |
| Sub-Stream                  | 50 Hz: 25 fps (704 × 576, 640 × 480)<br>60 Hz: 30 fps (704 × 480, 640 × 480)  |
| Third Stream                | 50 Hz: 25 fps (1920 × 1080, 1280 × 720, 704 × 576, 640 × 480)<br>60 Hz: 30 fps (1920 × 1080, 1280 × 720, 704 × 480, 640 × 480)  |
| Video Compression           | Main stream: H.265+/H.265/H.264+/H.264,<br>Sub-stream: H.265/H.264/MJPEG,<br>Third stream: H.265/H.264,<br>Fourth stream: H.265/H.264/MJPEG   |
| Fourth Stream               | 50 Hz: 25fps (704 × 576, 640 × 480)<br>60 Hz: 30fps (704 × 480, 640 × 480)  |
| Video Bit Rate              | 32 Kbps to 16 Mbps  |
| H.264 Type                  | Baseline Profile,Main Profile,High Profile  |
| H.265 Type                  | Main Profile  |
| Bit Rate Control            | CBR,VBR   |
| Scalable Video Coding (SVC) | H.264 and H.265 encoding  |

|                             |   |
|-----------------------------|---|
| Region of Interest (ROI)    | 8 fixed regions for each stream   |
| AI Encoding                 | Yes   |
| <b>Audio</b>                |   |
| Audio Type                  | Mono sound  |
| Audio Compression           | G.711/G.722.1/G.726/MP2L2/PCM/MP3/AAC-LC  |
| Audio Bit Rate              | 64 Kbps (G.711ulaw/G.711alaw)/16 Kbps (G.722.1)/16 Kbps (G.726)/32 to 192 Kbps (MP2L2)/8 to 320 Kbps (MP3)/16 to 64 Kbps (AAC-LC)   |
| Audio Sampling Rate         | 8 kHz/16 kHz/32 kHz/48 kHz  |
| Environment Noise Filtering | Yes   |
| <b>Network</b>              |   |
| Protocols                   | TCP/IP, ICMP, HTTP, HTTPS, FTP, SFTP, DHCP, DNS, DDNS, SRTP, RTP, RTSP, RTCP, PPPoE, NTP, UPnP, SMTP, SNMP, IGMP, 802.1X, QoS, IPv4, IPv6, UDP, Bonjour, SSL/TLS, ARP, WebSocket, WebSockets  |
| Simultaneous Live View      | Up to 20 channels   |
| API                         | ISAPI,SDK,ISUP,OTAP,ONVIF (ProfileS, ProfileG, ProfileT, ProfileM)  |
| User/Host                   | Up to 32 users<br>3 user levels: administrator, operator, and user  |
| Security                    | Password protection, complicated password, HTTPS encryption, 802.1X authentication (EAP-TLS, EAP-LEAP, EAP-MD5), watermark, IP address filter, basic and digest authentication for HTTP/HTTPS, WSSE and digest authentication for Open Network Video Interface, RTP/RTSP OVER HTTPS, Control Timeout Settings, Security Audit Log, TLS 1.2, TLS 1.3, AES128/256 |
| Network Storage             | NAS (NFS, SMB/CIFS),Auto Network Replenishment (ANR), Together with high-end Hikvision memory card, memory card encryption and health detection are supported.  |
| Client                      | iVMS-4200,Hik-Connect,Hik-Central   |
| Web Browser                 | Plug-in required live view: IE 10, IE 11,<br>Plug-in free live view: Chrome 57.0+, Firefox 52.0+, Edge 89+, Safari 11+,<br>Local service: Chrome 57.0+, Firefox 52.0+, Edge 89+   |
| <b>Image</b>                |   |
| Image Parameters Switch     | Yes   |
| Image Settings              | Rotate mode,saturation,brightness,contrast,sharpness,white balance,AGC,adjustable by client software or web browser   |
| Day/Night Switch            | Day,Night,Auto,Schedule,Alarm Trigger   |
| Wide Dynamic Range (WDR)    | 130 dB  |
| Image Enhancement           | BLC,HLC,3D DNR,Distortion Correction,Defog  |
| Privacy Mask                | 8 programmable polygon privacy masks  |
| SNR                         | ≥ 52 dB   |
| Picture Overlay             | LOGO picture can be overlaid on video with 128 × 128 24 bit bmp format.   |
| Image Stabilization         | EIS   |
| <b>Interface</b>            |   |
| Ethernet Interface          | 1 RJ45 10 M/100 M self-adaptive Ethernet port   |
| On-Board Storage            | Built-in memory card slot, support microSD/microSDHC/microSDXC card, up to 1 TB   |
| Alarm                       | 1 input, 1 output (max. 24 VDC/24 VAC, 1 A)   |
| Built-in Microphone         | 2 built-in microphones  |
| Built-in Speaker            | 1 built-in speaker,Max. power consumption: 1.5 W  |

|                                  |  |
|----------------------------------|--|
| Audio                            | 1 input (line in), 3.5 mm connector, three-contact, max. input amplitude: 3.3 Vpp, input impedance: 4.7 K $\Omega$ , interface type: non-equilibrium,<br>1 output (line out), 3.5 mm connector, three-contact, max. output amplitude: 3.3 Vpp, output impedance: 100 $\Omega$ , interface type: non-equilibrium, mono sound  |
| RS-485                           | 1 RS-485 (Half duplex, HIKVISION, Pelco-P, Pelco-D, self-adaptive)   |
| Reset Key                        | Yes  |
| Power Output                     | 12 VDC, max. 100 mA<br>External extension cord less than 10 meters.  |
| <b>Event</b>                     |  |
| Basic Event                      | Motion detection (support alarm triggering by specified target types (human and vehicle)), video tampering alarm, video quality diagnosis, exception (network disconnected, IP address conflict, illegal login, abnormal restart, HDD full, HDD error)   |
| Smart Event                      | Scene change detection, audio exception detection, defocus detection, unattended baggage detection, object removal detection, loitering detection, people gathering detection, fast moving detection, parking detection  |
| Linkage                          | Upload to FTP/NAS/memory card, notify surveillance center, send email, trigger alarm output, trigger recording, trigger capture, audible warning   |
| <b>Deep Learning Function</b>    |  |
| Perimeter Protection             | Line crossing, intrusion, region entrance, region exiting<br>Support alarm triggering by specified target types (human and vehicle)<br>Support combined event alarm triggering<br>Dedicated large scale AI model for perimeter protection, reduce false alarms by 90% compared to conventional AI cameras<br>VCA range: up to 80m(nighttime)/100m(daytime)<br>*Result based on standard setup and test environment |
| Metadata                         | Intrusion detection, line crossing detection, region entrance detection, region exiting detection  |
| AcuSeek                          | Support search for humans, vehicles, This function requires use with AcuSeek NVR/Servers.  |
| <b>General</b>                   |  |
| Power                            | two-core terminal block,<br>12 VDC $\pm$ 20%, 1.6 A, max. 19.2 W,<br>PoE: IEEE 802.3at, Type 2, Class 4, 42.5 V to 57 V, 0.54 A to 0.4 A, max. 22.8 W  |
| Material                         | Aluminum alloy body  |
| Dimension                        | 323.4 mm $\times$ 114.5 mm $\times$ 114.5 mm (12.73" $\times$ 4.51" $\times$ 4.51")  |
| Package Dimension                | 386 mm $\times$ 156 mm $\times$ 155 mm (15.3" $\times$ 6.2" $\times$ 6.2")   |
| Weight                           | Approx. 1440 g (3.17 lb.)  |
| With Package Weight              | Approx. 2159 g (4.76 lb.)  |
| Storage Conditions               | -30 $^{\circ}$ C to 60 $^{\circ}$ C (-22 $^{\circ}$ F to 140 $^{\circ}$ F). Humidity 95% or less (non-condensing)  |
| Startup and Operating Conditions | With -H: -40 $^{\circ}$ C to 60 $^{\circ}$ C (-40 $^{\circ}$ F to 140 $^{\circ}$ F). Humidity 95% or less (non-condensing),<br>Without -H: -30 $^{\circ}$ C to 60 $^{\circ}$ C (-22 $^{\circ}$ F to 140 $^{\circ}$ F). Humidity 95% or less (non-condensing)   |
| Language                         | 33 languages: English, Russian, Estonian, Bulgarian, Hungarian, Greek, German, Italian, Czech, Slovak, French, Polish, Dutch, Portuguese, Spanish, Romanian, Danish, Swedish, Norwegian, Finnish, Croatian, Slovenian, Serbian, Turkish, Korean, Traditional Chinese, Thai, Vietnamese, Japanese, Latvian, Lithuanian, Portuguese (Brazil), Ukrainian  |
| General Function                 | Heartbeat, anti-banding, one-key reset, mirror, password protection, flash log   |

|                            |  |
|----------------------------|--|
| Heater                     | Yes  |
| Demist                     | Yes  |
| Integrated Connector Panel | No   |
| <b>Approval</b>            |  |
| EMC                        | CE-EMC: EN 55032:2015+A1:2020, EN 50130-4:2011+A1:2014, EN IEC 61000-3-2:2019+A1:2021, EN 61000-3-3:2013+A1:2019+A2:2021, RCM: AS/NZS CISPR 32: 2015 |
| Safety                     | CB: IEC 62368-1:2014+A11,<br>CE-LVD: EN 62368-1:2014/A11: 2017   |
| Environment                | CE-RoHS: 2011/65/EU,<br>WEEE: 2012/19/EU,<br>Reach: Regulation (EC) No 1907/2006   |
| Protection                 | IP67: IEC 60529-2013, IK10: IEC 62262:2002   |
| Anti-Corrosion Protection  | -Y: NEMA 4X (NEMA 250-2018)  |

## ▪ Typical Application

Hikvision products are classified into three levels according to their anti-corrosion performance. Refer to the following description to choose for your using environment.

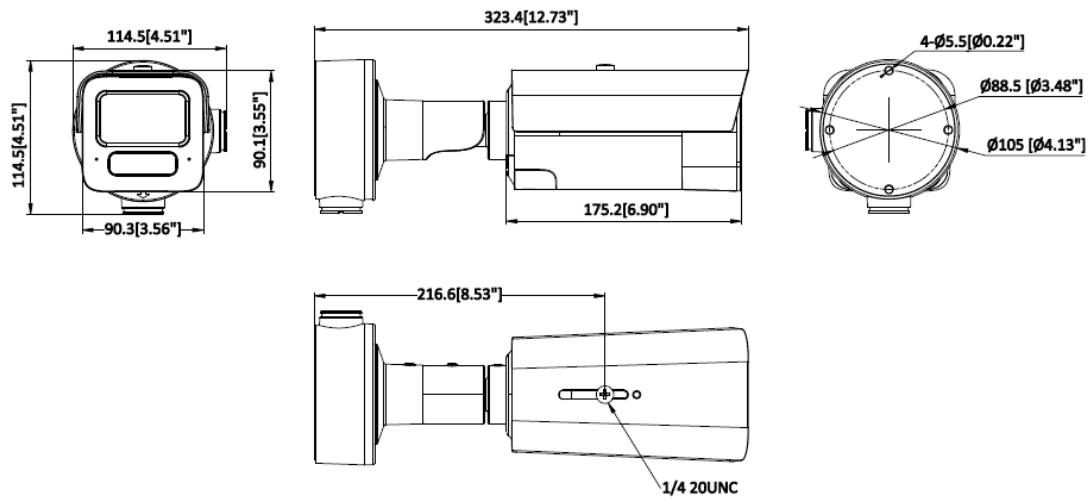
With -Y model: This model has MODERATE PROTECTION.

Without -Y model: This model has NO SPECIFIC PROTECTION.

| Level                  | Description  |
|------------------------|--|
| Top-level protection   | Hikvision products at this level are equipped for use in areas where professional anti-corrosion protection is a must. Typical application scenarios include coastlines, docks, chemical plants, and more.   |
| Moderate protection    | Hikvision products at this level are equipped for use in areas with moderate anti-corrosion demands. Typical application scenarios include coastal areas about 2 kilometers (1.24 miles) away from coastlines, as well as areas affected by acid rain. |
| No specific protection | Hikvision products at this level are equipped for use in areas where no specific anti-corrosion protection is needed.  |

## ▪ Dimension

Unit:mm(inch)



| Camera Mounting Hole (mm) | Camera Mounting Hole (inch) |
|---------------------------|-----------------------------|
| φ88.5(4×φ5.5)             | φ3.48"(4×φ0.22")            |

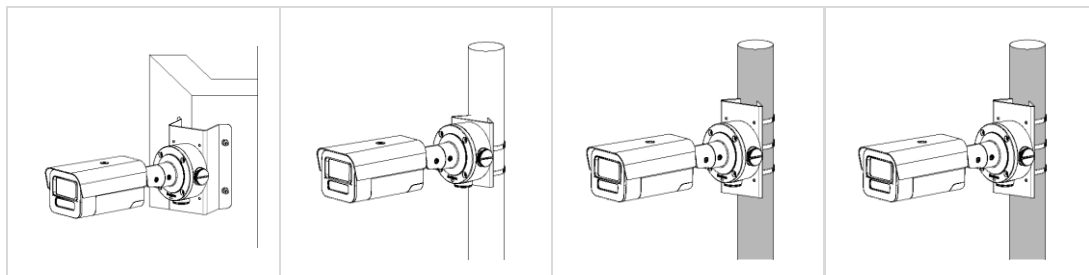
▪ **Accessory**

▪ **Optional**

| DS-1276ZJ-SUS   | DS-1275ZJ-S-SUS   | DS-1275ZJ-Y   | DS-1275ZJ-SUS   |
|---|---|---|---|
|  |  |  |  |

▪ **Installation Methods**

|                                  |   |                                       |   |
|----------------------------------|---|---------------------------------------|---|
| Corner Mounting<br>DS-1276ZJ-SUS | Vertical Pole Mounting<br>DS-1275ZJ-S-SUS | Vertical Pole Mounting<br>DS-1275ZJ-Y | Vertical Pole Mounting<br>DS-1275ZJ-SUS |
|----------------------------------|---|---------------------------------------|---|



# See Far, Go Further



[www.hikvision.com](http://www.hikvision.com)  
[support@hikvision.com](mailto:support@hikvision.com)

