

DS-2CD1T27G3-LIU(F)(/SL)(/SRB) 2 MP ColorVu 3.0 Fixed Bullet Network Camera

ColorVu 3.0



- HikAI-ISP for excellent noise reduction effect
- Super clear 24/7 colorful imaging with ColorVu 3.0 technology
- Motion Detection 3.0, more accurate on person and vehicle classification
- Smart Hybrid Light: integrates IR and white lights, 3 supplemental lighting modes
- /SL/SRB: Provide real-time security via built-in two-way audio and strobe light alarm
- -F: Support on-board storage up to 512 GB (SD card slot) (Optional)
- Water and dust resistant (IP67)

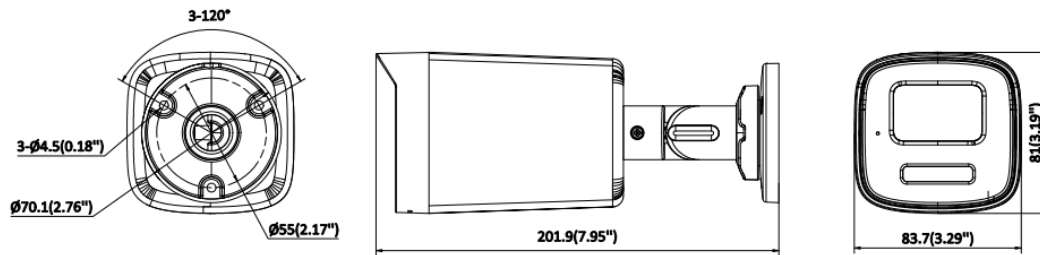
▪ Specification

| Camera | |
|-----------------------------|--|
| Image Sensor | 1/2.8" Progressive Scan CMOS |
| Max. Resolution | 1920 × 1080 |
| Min. Illumination | Color:0.0005 Lux @ (F1.0, AGC ON),0 Lux with light |
| Shutter Time | 1 s to 1/100,000 s |
| Day & Night | IR cut filter |
| Angle Adjustment | DS-2CD1T27G3-LIU(F)(/SL)(/SRB):Pan: 0° to 360°,tilt: 0° to 180°,rotate: 0° to 360° Pan: 0° to 360°,tilt:0° to 180°,rotate: 0° to 360° |
| Lens | |
| Lens Type | Fixed focal lens, 2.8 and 4 mm optional |
| Focal Length & FOV | 2.8 mm, horizontal FOV 106°, vertical FOV 56°, diagonal FOV 129° 4 mm, horizontal FOV 88°, vertical FOV 47°, diagonal FOV 103° |
| Lens Mount | M12 |
| Iris Type | Fixed |
| Aperture | F1.0 |
| Depth of Field | 2.8 mm: 1.2 m to ∞ 4 mm: 1.3 m to ∞ |
| DORI | |
| DORI | 2.8 mm, D: 44 m, O: 17 m, R: 8 m, I: 4 m 4 mm, D: 53 m, O: 21 m, R: 10 m, I: 5 m |
| Illuminator | |
| Supplement Light Type | IR,White Light |
| Supplement Light Range | Up to 50 m |
| Smart Supplement Light | Yes |
| IR Wavelength | 850 nm |
| Video | |
| Main Stream | 50 Hz: 25 fps (1920 × 1080, 1280 × 720) 60 Hz: 30 fps (1920 × 1080, 1280 × 720) |
| Sub-Stream | 50 Hz: 25 fps (640 × 480,640 × 360) 60 Hz: 30 fps (640 × 480,640 × 360) |
| Video Compression | Main stream: H.265+/H.265/H.264+/H.264, Sub-stream: H.265/H.264/MJPEG |
| Video Bit Rate | 32 Kbps to 8 Mbps |
| H.264 Type | Baseline Profile,Main Profile,High Profile |
| H.265 Type | Main Profile |
| Bit Rate Control | CBR,VBR |
| Scalable Video Coding (SVC) | H.264 and H.265 encoding |
| Region of Interest (ROI) | 1 fixed region for main stream and sub-stream |
| Audio | |
| Audio Type | Mono sound |
| Audio Compression | G.711ulaw/G.711alaw/G.722.1/G.726/MP2L2/PCM/AAC-LC/MP3 |
| Audio Bit Rate | 64 Kbps (G.711)/16 Kbps (G.722.1)/16 Kbps (G.726)/32 to 160 Kbps (MP2L2)/16 to 64 Kbps (AAC-LC)/8 to 160 Kbps(MP3) |
| Audio Sampling Rate | 8 kHz/16 kHz |
| Environment Noise Filtering | Yes |

| Network | |
|--------------------------|--|
| Protocols | TCP/IP, ICMP, DHCP, DNS, HTTP, RTP, RTSP, RTCP, NTP, IPv4, IPv6, IGMP, UDP, QoS, FTP, SMTP |
| Simultaneous Live View | Up to 6 channels |
| API | ONVIF (Profile S, Profile G, Profile T), ISAPI, SDK |
| User/Host | Up to 32 users 3 user levels: administrator, operator, and user |
| Security | Password protection, complicated password, watermark, basic and digest authentication for HTTP, WSSE and digest authentication for Open Network Video Interface, security audit log, host authentication (MAC address) |
| Client | iVMS-4200, Hik-Connect |
| Web Browser | Plug-in free live view: Chrome 57.0+, Firefox 52.0+, Edge 89+, Safari 11 Local service: Chrome 57.0+, Firefox 52.0+, Edge 89+ |
| Image | |
| Image Settings | Rotate mode, saturation, brightness, contrast, sharpness, gain, white balance, adjustable by client software or web browser |
| Day/Night Switch | Day, Night, Auto, Schedule |
| Wide Dynamic Range (WDR) | 120 dB |
| SNR | ≥ 52 dB |
| Image Enhancement | BLC, HLC, 3D DNR |
| Privacy Mask | 4 programmable rectangular privacy masks |
| Interface | |
| Ethernet Interface | 1 RJ45 10 M/100 M self-adaptive Ethernet port |
| On-Board Storage | -LIU、 LIU/S(L)(RB) : NA -LIUF、 LIUF/S(L)(RB) : Built-in memory card slot, support microSD/microSDHC/microSDXC card, up to 512 GB |
| Built-in Microphone | Yes, 1 built-in microphone |
| Built-in Speaker | -LIU、 -LIUF: NA -LIU/S(L)(RB)、 -LIUF/S(L)(RB): Max. power consumption: 1.5 W, max. sound pressure level: 10 cm: 95 dB |
| Audio | NA |
| Alarm | NA |
| Reset Key | -LIU、 LIU/S(L)(RB) : NA -LIUF、 LIUF/S(L)(RB) : YES |
| Event | |
| Basic Event | Motion detection (support alarm triggering by specified target types (human and vehicle)), video tampering alarm, exception |
| Linkage | Upload to memory card/FTP, notify surveillance center, send email, trigger capture |
| General | |
| Power | -LIU/-LIUF: 12 VDC ± 25%, 0.52 A, max. 6.2 W, Ø5.5 mm coaxial power plug, reverse polarity protection, PoE: IEEE 802.3af, Class 3, max. 7.5 W, -LIU/S(L)(RB)、 -LIUF/S(L)(RB): 12 VDC ± 25%, 0.68 A, max. 8.2 W, Ø5.5 mm coaxial power plug, reverse polarity protection, PoE: IEEE 802.3af, Class 3, max. 9.9 W |
| Material | Front cover: metal, body: plastic, bracket: metal |

| | |
|----------------------------------|--|
| Dimension | DS-2CD1T27G3-LIU(F)/(SL)/(SRB):-LIU: 83.7 mm × 81 mm × 201.9 mm (3.3" × 3.2" × 8.0") 83.7 mm × 81 mm × 201.9 mm (3.3" × 3.2" × 8.0") |
| Package Dimension | 260 mm × 125 mm × 125 mm (10.2" × 5.0" × 5.0") |
| Weight | DS-2CD1T27G3-LIU(F)/(SL)/(SRB):-LIU: Approx. 430 g (0.95 lb.) -LIUF: Approx. 430 g (0.95 lb.) -LIU(F)/SL: Approx. 520 g (1.15 lb.) -LIU(F)/SRB: Approx. 520 g (1.15 lb.) Approx. 390 g (0.9 lb.) |
| With Package Weight | DS-2CD1T27G3-LIU(F)/(SL)/(SRB):-LIU: Approx. 580 g (1.28 lb.) -LIUF: Approx. 580 g (1.28 lb.) -LIU(F)/SL: Approx. 650 g (1.43 lb.) -LIU(F)/SRB: Approx. 650 g (1.43 lb.) Approx. 580 g (1.3 lb.) |
| Storage Conditions | -30 °C to 60 °C (-22 °F to 140 °F). Humidity 95% or less (non-condensing) |
| Startup and Operating Conditions | -30 °C to 60 °C (-22 °F to 140 °F). Humidity 95% or less (non-condensing) |
| Language | English, Russian, Ukrainian, Arabic, Spanish, French, Portuguese, Turkish, Polish, German |
| General Function | Heartbeat, mirror, flash log, password reset via email, password protection, anti-banding |
| Flashing Light | -LIU、 -LIUF : NA -LIU(F)/SL : White Light -LIU(F)/SRB : Red and Blue Light |
| Approval | |
| EMC | CE-EMC: EN 55032:2015+A1:2020, EN 50130-4:2011+A1:2014, EN IEC 61000-3-2:2019+A1:2021, EN 61000-3-3:2013+A1:2019+A2:2021 |
| Safety | CB: IEC 62368-1:2014+A11, CE-LVD: EN 62368-1:2014/A11: 2017 |
| Environment | CE-RoHS: 2011/65/EU, WEEE: 2012/19/EU, Reach: Regulation (EC) No 1907/2006 |
| Protection | IP67: IEC 60529-2013 |




▪ Dimension



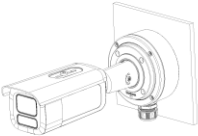
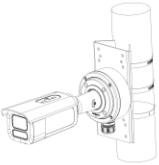
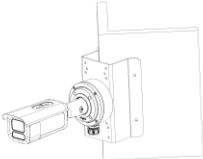
Unit: mm (inch)

▪ **Accessory**

▪ **Optional**

| DS-1280ZJ-XS | DS-1275ZJ-SUS | DS-1276ZJ-SUS |
|---|---|---|
|  |  |  |

▪ **Installation Methods**

| Junction Box DS-1280ZJ-XS | Vertical Pole Mounting DS-1275ZJ-SUS+DS-12 80ZJ-XS | Corner Mounting DS-1276ZJ-SUS+DS-12 80ZJ-XS |
|---|---|--|
|  |  |  |

See Far, Go Further



www.hikvision.com
support@hikvision.com

