

DS-2CD1347G3-LIU(F)(/SL)(/SRB) 4 MP ColorVu 3.0 Fixed Turret Network Camera

ColorVu 3.0



- HikAI-ISP for excellent noise reduction effect
- Super clear 24/7 colorful imaging with ColorVu 3.0 technology
- Motion Detection 3.0, more accurate on person and vehicle classification
- -SL/-SRB: Strobe Light & Audio Alarm to deter intruders
- -SL/-SRB: Two-Way Audio via camera and Hik-Connect
- Smart Hybrid Light: integrates IR and white lights, 3 supplemental lighting modes
- -F: Support on-board storage up to 512 GB (SD card slot)
- Water and dust resistant (IP67)

▪ Specification

Camera	
Image Sensor	1/3" Progressive Scan CMOS
Max. Resolution	2560 × 1440
Min. Illumination	Color: 0.0005 Lux @ (F1.0, AGC ON), 0 Lux with light
Shutter Time	1 s to 1/100,000 s
Day & Night	IR cut filter
Angle Adjustment	Pan: 0° to 360°, tilt: 0° to 75°, rotate: 0° to 360°
Lens	
Lens Type	Fixed focal lens, 2.8 and 4 mm optional
Focal Length & FOV	2.8 mm, horizontal FOV 101.5°, vertical FOV 54.6°, diagonal FOV 122.1° 4 mm, horizontal FOV 84.1°, vertical FOV 45.6°, diagonal FOV 99.1°
Lens Mount	M12
Iris Type	Fixed
Aperture	F1.0
Depth of Field	2.8 mm: 1.7 m to ∞ 4 mm: 1.6 m to ∞
DORI	
DORI	2.8 mm, D: 63 m, O: 25 m, R: 12 m, I: 6 m 4 mm, D: 77 m, O: 30 m, R: 15 m, I: 7 m
Illuminator	
Supplement Light Type	IR, White Light
Supplement Light Range	Up to 30 m
Smart Supplement Light	Yes
IR Wavelength	850 nm
Video	
Main Stream	50 Hz: 25 fps (2688 × 1520, 2560 × 1440, 1920 × 1080, 1280 × 720) 60 Hz: 24 fps (2688 × 1520, 2560 × 1440, 1920 × 1080, 1280 × 720)
Sub-Stream	50 Hz: 25 fps (1280 × 720, 640 × 480, 640 × 360) 60 Hz: 24 fps (1280 × 720, 640 × 480, 640 × 360)
Video Compression	Main stream: H.265+/H.265/H.264+/H.264, Sub-stream: H.265/H.264/MJPEG
Video Bit Rate	32 Kbps to 16 Mbps
H.264 Type	Baseline Profile, Main Profile, High Profile
H.265 Type	Main Profile
Bit Rate Control	CBR, VBR
Scalable Video Coding (SVC)	H.264 and H.265 encoding
Region of Interest (ROI)	1 fixed region for main stream and sub-stream
Audio	
Audio Type	Mono sound
Audio Compression	G.711ulaw/G.711alaw/G.722.1/G.726/MP2L2/PCM/AAC-LC/MP3
Audio Bit Rate	64 Kbps (G.711)/16 Kbps (G.722.1)/16 Kbps (G.726)/32 to 160 Kbps (MP2L2)/16 to 64 Kbps (AAC-LC)/8 to 160 Kbps (MP3)
Audio Sampling Rate	8 kHz/16 kHz
Environment Noise Filtering	Yes

Network	
Protocols	TCP/IP, ICMP, DHCP, DNS, HTTP, RTP, RTSP, RTCP, NTP, IPv4, IPv6, IGMP, UDP, QoS, FTP, SMTP
Simultaneous Live View	Up to 6 channels
API	ONVIF (Profile S, Profile G), ISAPI, SDK
User/Host	Up to 32 users 3 user levels: administrator, operator, and user
Security	Password protection, complicated password, watermark, basic and digest authentication for HTTP, WSSE and digest authentication for Open Network Video Interface, security audit log, host authentication (MAC address)
Client	iVMS-4200, Hik-Connect
Web Browser	Plug-in free live view: Chrome 57.0+, Firefox 52.0+, Edge 89+, Safari 11 Local service: Chrome 57.0+, Firefox 52.0+, Edge 89+
Image	
Image Settings	Rotate mode, saturation, brightness, contrast, sharpness, gain, white balance, adjustable by client software or web browser
Day/Night Switch	Day, Night, Auto, Schedule
Wide Dynamic Range (WDR)	120 dB
SNR	≥ 52 dB
Image Enhancement	BLC, HLC, 3D DNR
Privacy Mask	4 programmable rectangular privacy masks
Interface	
Ethernet Interface	1 RJ45 10 M/100 M self-adaptive Ethernet port
On-Board Storage	-LIU、 LIU/S(L)(RB) : NA -LIUF、 LIUF/S(L)(RB) : Built-in memory card slot, support microSD/microSDHC/microSDXC card, up to 512 GB
Built-in Microphone	Yes, 1 built-in microphone
Built-in Speaker	-LIU、 -LIUF: NA -LIU/S(L)(RB)、 -LIUF/S(L)(RB): Max. power consumption: 2 W, max. sound pressure level: 10 cm: 101 dB
Audio	NA
Alarm	NA
Reset Key	-LIU、 LIU/S(L)(RB) : NA -LIUF、 LIUF/S(L)(RB) : YES
Event	
Basic Event	Motion detection (support alarm triggering by specified target types (human and vehicle)), video tampering alarm, exception
Linkage	Upload to FTP, notify surveillance center, send email, trigger recording, trigger capture
General	
Power	-LIU/-LIUF: 12 VDC ± 25%, 0.52 A, max. 6.2 W, Ø5.5 mm coaxial power plug, reverse polarity protection, PoE: IEEE 802.3af, Class 3, max. 7.5 W, -LIU/S(L)(RB)、 -LIUF/S(L)(RB): 12 VDC ± 25%, 0.54 A, max. 6.5 W, Ø5.5 mm coaxial power plug, reverse polarity protection, PoE: IEEE 802.3af, Class 3, max. 7.8 W
Material	Cover: Plastic, main body: Metal

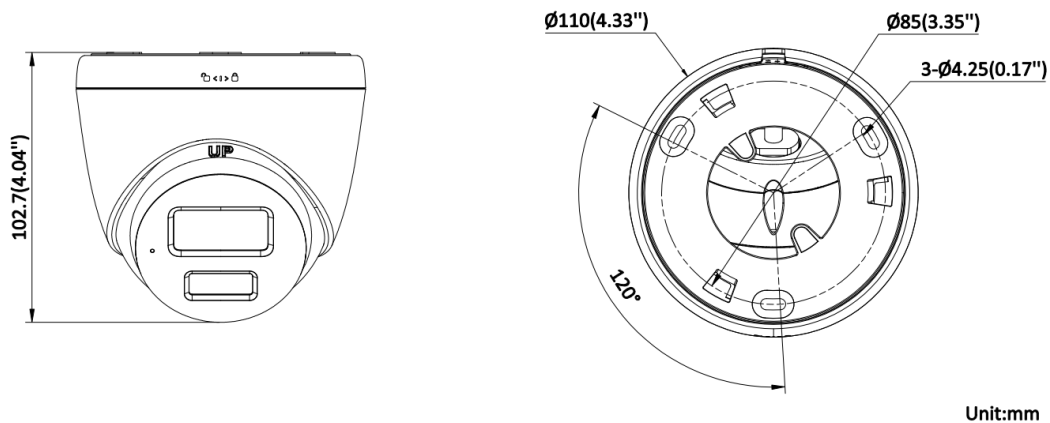
Dimension	DS-2CD1347G3-LIU(F)/(SL)/(SRB): \varnothing 110 mm \times 102.7 mm (\varnothing 4.3" \times 4.0") \varnothing 110 mm \times 102.7 mm (\varnothing 4.33" \times 4.04")
Package Dimension	150 mm \times 150 mm \times 141 mm (5.9" \times 5.9" \times 5.6")
Weight	DS-2CD1347G3-LIU(F)/(SL)/(SRB):-LIU: Approx. 365g (0.8 lb.) -LIUF: Approx. 380g (0.8 lb.) -LIU/S(L)(RB): Approx. 400g (0.9 lb.) -LIUF/S(L)(RB): Approx. 405g (0.9 lb.) DS-2CD1347G3-LIUF/SRB(2.8mm)(海外标配)(样机),DS-2CD1347G3-LIUF/SRB(4mm)(海外标配)(样机):-LIUF/SRB: Approx. 405 g (0.8 lb.) DS-2CD1347G3-LIUF/SL(2.8mm)(海外标配)(样机),DS-2CD1347G3-LIUF/SL(4mm)(海外标配)(样机):-LIUF/SL: Approx. 405 g (0.8 lb.) DS-2CD1347G3-LIUF(2.8mm)(海外标配)(样机),DS-2CD1347G3-LIUF(4mm)(海外标配)(样机):-LIUF: Approx. 380 g (0.8 lb.) DS-2CD1347G3-LIU/SRB(2.8mm)(海外标配)(样机),DS-2CD1347G3-LIU/SRB(4mm)(海外标配)(样机):-LIU/SRB: Approx. 400 g (0.8 lb.) DS-2CD1347G3-LIU/SL(2.8mm)(海外标配)(样机),DS-2CD1347G3-LIU/SL(4mm)(海外标配)(样机):-LIU/SL: Approx. 400 g (0.8 lb.) DS-2CD1347G3-LIU(2.8mm)(海外标配),DS-2CD1347G3-LIU(4mm)(海外标配),DS-2CD1347G3-LIU(2.8mm)(海外中性),DS-2CD1347G3-LIU(4mm)(海外中性):-LIU: Approx. 365 g (0.8 lb.)
With Package Weight	-LIU: Approx. 550g (1.2 lb.) -LIUF: Approx. 575g (1.3 lb.) -LIU/S(L)(RB): Approx. 590g (1.3 lb.) -LIUF/S(L)(RB): Approx. 600g (1.3 lb.)
Storage Conditions	-30 °C to 60 °C (-22 °F to 140 °F). Humidity 95% or less (non-condensing)
Startup and Operating Conditions	-30 °C to 60 °C (-22 °F to 140 °F). Humidity 95% or less (non-condensing)
Language	English, Russian, Ukrainian, Arabic, Spanish, French, Portuguese, Turkish, Polish, German
General Function	Heartbeat,mirror,flash log,password reset via email,password protection,anti-banding
Flashing Light	-LIU、-LIUF : NA -LIU(F)/SL : White Light -LIU(F)/SRB : Red and Blue Light
Approval	
EMC	CE-EMC: EN 55032:2015+A1:2020, EN 50130-4:2011+A1:2014, EN IEC 61000-3-2:2019+A1:2021, EN 61000-3-3:2013+A1:2019+A2:2021
Safety	CB: IEC 62368-1:2014+A11, CE-LVD: EN 62368-1:2014/A11: 2017

Environment	CE-RoHS: 2011/65/EU, WEEE: 2012/19/EU, Reach: Regulation (EC) No 1907/2006
Protection	IP67: IEC 60529-2013

▪ Available Model

- DS-2CD1347G3-LIUF/SL(2.8mm)
- DS-2CD1347G3-LIUF/SL(4mm)
- DS-2CD1347G3-LIU(2.8mm)
- DS-2CD1347G3-LIU(4mm)
- DS-2CD1347G3-LIU/SRB(2.8mm)
- DS-2CD1347G3-LIU/SRB(4mm)
- DS-2CD1347G3-LIUF(2.8mm)
- DS-2CD1347G3-LIUF(4mm)
- DS-2CD1347G3-LIUF/SRB(2.8mm)
- DS-2CD1347G3-LIUF/SRB(4mm)
- DS-2CD1347G3-LIU/SL(2.8mm)
- DS-2CD1347G3-LIU/SL(4mm)

▪ Dimension



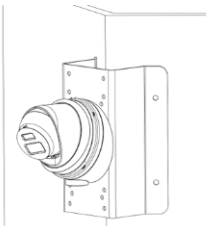


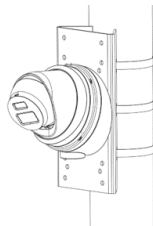

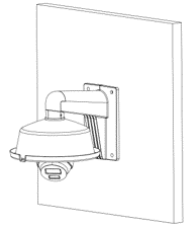
▪ Accessory

▪ Optional

DS-1276ZJ-SUS	DS-1281ZJ-S	DS-1271ZJ-110-TRS	DS-1275ZJ-SUS	DS-1280ZJ-TR13
DS-1272ZJ-110-TRS				



▪ **Installation Methods**

Corner Mounting DS-1276ZJ-SUS+DS-12 81ZJ-S	Inclined Ceiling Mounting DS-1281ZJ-S	Pendant Mounting DS-1271ZJ-110-TRS	Vertical Pole Mounting DS-1275ZJ-SUS+DS-12 81ZJ-S	Junction Box DS-1280ZJ-TR13
				
Wall Mounting DS-1272ZJ-110-TRS+D S-1253ZJ-M 				

See Far, Go Further



www.hikvision.com
support@hikvision.com

