

DS-2SF7C442MXG1/LM-EL(W)(Y)/26

DeepinViewX TandemVu 7C Series Panoramic 4 MP 42X DarkFighter Network Speed Dome



Hikvision has been dedicated to develop products with security since established.

Hikvision always follows security by design principle and has adopted many methods of security technologies into our product development lifecycle, including terminal security, data security, application security, network security, and privacy protection. In the meantime, the security technologies used by Hikvision are all in compliance with local applicable laws and safety regulations. These security measures could enhance product's cyber security defense capability and protect your devices as well as your data from malicious cyber attacks.

- Captures a large area and great details at the same time
- High quality imaging with 6 MP resolution for bullet channel
- 24/7 colorful imaging and excellent low-light performance with DarkFighter technology
- Bullet channel tilt adjustable from 12° to 24°
- Secures an expansive area with 42 × optical zoom and 16 × digital zoom
- Expansive night view with up to 30 m white light distance and 300 m IR distance
- Supports deep learning functions
- Water and dust resistant (IP67) and vandal resistant (IK10) excluding glass window
- Smart Pan-Tilt Correction
- Dedicated large scale AI model for perimeter protection

▪ Specification

Model		DS-2SF7C442MXG1/LM-EL(W)(Y)/26
Camera	Image Sensor	[Bullet channel] 1/2.5" Progressive Scan CMOS, [PTZ channel] 1/1.8" Progressive Scan CMOS
	Min. Illumination	[Bullet channel] Color: 0.0005 Lux @ (F1.0, AGC ON), B/W: 0.0001 Lux @ (F1.0, AGC ON), 0 Lux with light, [PTZ channel] Color: 0.0003 Lux @ (F1.2, AGC ON), B/W: 0.0001 Lux @ (F1.2, AGC ON), 0 lux with IR
	Shutter Speed	1/25 s to 1/30000 s
	Slow Shutter	Yes
	Day & Night	[Bullet channel] Color, [PTZ channel] IR cut filter
	Zoom	[PTZ channel] 42 × optical, 16 × digital
	Max. Resolution	[Bullet channel] 3632 × 1632, [PTZ channel] 2688 × 1520
Lens	Focus	Auto, semi-auto, manual
	Zoom Speed	[Bullet channel] No, [PTZ channel] approx. 1 s
	Focal Length	[Bullet channel] 2.8 mm, [PTZ channel] 6 to 252 mm
	FOV	[Bullet channel] horizontal field of view: 190° ±10°, vertical field of view: 80° ±10°, diagonal field of view: 198° ± 5°, [PTZ channel] horizontal field of view: 59.1° to 2°, vertical field of view: 34.2° to 1.1°, diagonal field of view: 67.1° to 2.3°
	Aperture	[Bullet channel] F1.0, [PTZ channel] F1.2
Illuminator	Supplement Light Range	[Bullet channel] white light: up to 30 m, [PTZ channel] IR: up to 300 m
	Smart Supplement Light	Yes
PTZ	Movement Range (Pan)	[PTZ channel] 0° to 360°
	Movement Range (Tilt)	[Bullet channel] 12° to 24°, [PTZ channel] -20° to 90°
	Pan Speed	[PTZ channel] pan speed: configurable from 0.1° to 160°/s, preset speed: 240°/s
	Tilt Speed	[Bullet channel] tilt speed configurable, [PTZ channel] tilt speed: configurable from 0.1° to 120°/s, preset speed 200°/s
	Proportional Pan	[Bullet channel] No, [PTZ channel] Yes
	Presets	300
	Patrol Scan	8 patrols, up to 32 presets for each patrol
	Pattern Scan	4 pattern scans, record time over 10 minutes for each scan
	Power-off Memory	Yes
	Park Action	Preset, pattern scan, patrol scan, auto scan, tilt scan, random scan, frame scan, panorama scan
	3D Positioning	Yes
	PTZ Status Display	Yes
Preset Freezing	Yes	

	Scheduled Task	Preset,pattern scan,patrol scan,auto scan,tilt scan,randomscan,framescan,panorama scan,dome reboot,dome adjust,aux output
Video	Main Stream	[Bullet channel] 50 Hz: 25 fps (3680 × 1656), 60 Hz: 30 fps (3680 × 1656),[PTZ channel] 50 Hz: 50 fps (2688 × 1520), 60 Hz: 60 fps (1520)
	Sub-Stream	[Bullet channel] 50 Hz: 25 fps (704 × 576, 640 × 480, 352 × 288), 60 Hz: 25 fps (704 × 576, 640 × 480, 352 × 288),[PTZ channel] 50 Hz: 25 fps (704 × 576, 640 × 480, 352 × 288), 60 Hz: 30 fps (704 × 576, 640 × 480, 352 × 288)
	Third Stream	[Bullet channel] No,[PTZ channel] 50 Hz: 25 fps (1920 × 1080, 1280 × 960, 1280 × 720, 704 × 576, 640 × 480, 352 × 288), 60 Hz: 30 fps (1920 × 1080, 1280 × 960, 1280 × 720, 704 × 480, 640 × 480, 352 × 240)
	Video Compression	Main stream: H.265+/H.265/H.264+/H.264, Sub-stream: H.265/H.264/MJPEG, Third stream: H.265/H.264/MJPEG
	Video Bit Rate	32 Kbps to 16 Mbps
	H.264 Type	Baseline profile,Main profile,High profile
	H.265 Type	Main profile
	Scalable Video Coding (SVC)	H.264 and H.265 encoding
	Region of Interest (ROI)	8 fixed regions for each stream
Audio	Audio Compression	G.711,G.722.1,G.726,MP2L2,PCM,AAC
	Audio Bit Rate	32 to 192 Kbps (MP2L2),16 to 64 Kbps (AAC)
	Audio Sampling Rate	8 kHz,16 kHz,32 kHz,48 kHz
	Environment Noise Filtering	Yes
Network	API	ISUP,ISAPI,SDK,Open Network Video Interface (ProfileS, ProfileG, ProfileT)
	Security	Password protection,complicated password,watermark,control timeout settings,HTTPS encryption,IP address filter,802.1X authentication (EAP-TLS, EAP-LEAP, EAP-MD5),basic and digest authentication for HTTP/HTTPS,WSSE and digest authentication for Open Network Video Interface, RTP/RTSP over HTTPS,security audit log,host authentication (MAC address),TLS 1.3,TLS 1.2
	Network Storage	NAS (NFS, SMB/CIFS),auto network replenishment (ANR)
	Protocols	IPv4/IPv6,HTTP,HTTPS,802.1X,QoS,SMTP,UPnP,SNMP,DNS,DDNS,NTP,RTSP,RTCP,RTP,TCP/IP,UDP,IGMP,ICMP,DHCP,PPPoE,Bonjour,FTP
	Simultaneous Live View	Up to 20 channels
	User/Host	Up to 32 users. 3 user levels: administrator, operator, and user
	Client	iVMS-4200,HikCentral Pro,Hik-Connect
	Web Browser	Plug-in free live view: Chrome 57.0+, Firefox 52.0+, Edge 89+, Safari 11+; Local service: Chrome 57.0+, Firefox 52.0+, Edge 89+
Image	Day/Night Switch	Day,night,auto,schedule

	Image Enhancement	HLC,3D DNR
	Wide Dynamic Range (WDR)	[Bullet channel] No, [PTZ channel] 120 dB
	Defog	Optical defog
	Image Stabilization	EIS
	Regional Exposure	Yes
	Regional Focus	[Bullet channel] No, [PTZ channel] Yes
	Image Settings	Saturation, brightness, contrast, sharpness, gain, and white balance adjustable by client software or web browser
	Image Parameters Switch	Yes
	Privacy Mask	[Bullet channel] No, [PTZ channel] 24 programmable polygon privacy masks; mask color or mosaic configurable
	SNR	≥ 52 dB
Supplement Detection	Satellite Positioning	No
	Gyroscope	Yes
	Compass	No
Interface	Ethernet Interface	1 RJ45 100M self-adaptive Ethernet port
	On-board Storage	Built-in memory card slot, support microSD/microSDHC/microSDXC card, up to 256 GB
	Alarm	7 input(s), 2 output(s)
	Audio	1 input (line in), max. input amplitude: 2-2.4 vpp, input impedance: 1 KΩ ± 10%, 1 output (line out), line level, output impedance: 600 Ω
	RS-485	1 RS-485 (Half duplex, HIKVISION, Pelco-P, Pelco-D, self-adaptive)
	Reset	Yes
Event	Basic Event	[PTZ channel & bullet channel] alarm input and output, exception, [PTZ channel] video tampering alarm
	Smart Event	intrusion detection, region entrance detection, region exiting detection, Line crossing detection, unattended baggage detection, object removal detection
	Linkage	[PTZ channel] Upload to FTP/NAS/memory card, notify surveillance center, send email, trigger alarm output, trigger recording, audible warning, white light flashing, and PTZ actions (such as preset, patrol scan, pattern scan), [Bullet channel] Upload to FTP/NAS/memory card, notify surveillance center, send email, trigger alarm output, and trigger recording
	Smart Tracking	[PTZ channel] yes
Deep Learning Function	Multi-Target-Type Detection	[PTZ channel] Supports simultaneous detection and capture of human body, face and vehicle
	People Density	Supports detecting the level of people density in the configured area, [PTZ channel]: no, [Panoramic channel]: yes

General	Power	36 VDC \pm 25%, max. 60 W, including max. 6 W for heater and max. 6 W for supplement light of bullet channel, and max. 6 W for heater and max. 15 W for supplement light of PTZ channel
	General Function	mirror, password protection
	Operating Condition	-40 °C to 70 °C (-40 °F to 158 °F). Humidity 95% or less (non-condensing), For speaker: -30 °C to 55 °C (-22 °F to 131 °F)
	Wiper	DS-2SF7C442MXG1/LM-EL(W)(Y)/26:Yes DS-2SF7C442MXG1/LM-EL/26(F0)(海外标配), DS-2SF7C442MXG1/LM-ELY/26(F0)(海外标配):No DS-2SF7C442MXG1/LM-ELW/26(F0)(海外标配), DS-2SF7C442MXG1/LM-ELWY/26(F0)(海外标配), DS-2SF7C442MXG1/LM-ELWY/26(F0)(海外中性):Yes
	Demist	Yes
	Material	ADC12
	Dimension	\varnothing 260 mm \times 382.9 mm (\varnothing 10.24" \times 15.07")
	Weight	Approx. 7.3 kg (16.1 lb.)
	Language	33 languages: English, Russian, Estonian, Bulgarian, Hungarian, Greek, German, Italian, Czech, Slovak, French, Polish, Dutch, Portuguese, Spanish, Romanian, Danish, Swedish, Norwegian, Finnish, Croatian, Slovenian, Serbian, Turkish, Korean, Traditional Chinese, Thai, Vietnamese, Japanese, Latvian, Lithuanian, Portuguese (Brazil), Ukrainian
Approval	EMC	CE-EMC (EN 50130-4:2011+A1:2014, EN 55032:2015+A11:2020+A1:2020, EN 61000-3-3:2013+A1:2019+A2:2021, EN IEC 61000-3-2:2019+A1:2021)
	Safety	CE-LVD (EN 62368-1:2014 + A11:2017), CB (IEC 62368-1:2014)
	Environment	CE-RoHS (2011/65/EU and its amendment (EU)2015/863)
	Protection	IP67 (IEC 60529:1989+AMD1:1999+AMD2:2013)
	Anti-Corrosion Protection	Model with -Y: NEMA 4X (NEMA 250-2018), Model without -Y: No

▪ DORI

The DORI (detect, observe, recognize, identify) distance gives the general idea of the camera ability to distinguish persons or objects within its field of view. It is calculated based on the camera sensor specification and the criteria given by EN 62676-4: 2015.

DORI	Detect	Observe	Recognize	Identify
Definition	25 px/m	63 px/m	125 px/m	250 px/m
[Bullet channel] Distance	38.6m	15.3m	7.7m	3.9m
[PTZ channel] Distance (Tele)	3475.9m	1379.3m	695.2m	347.6m

▪ Available Model

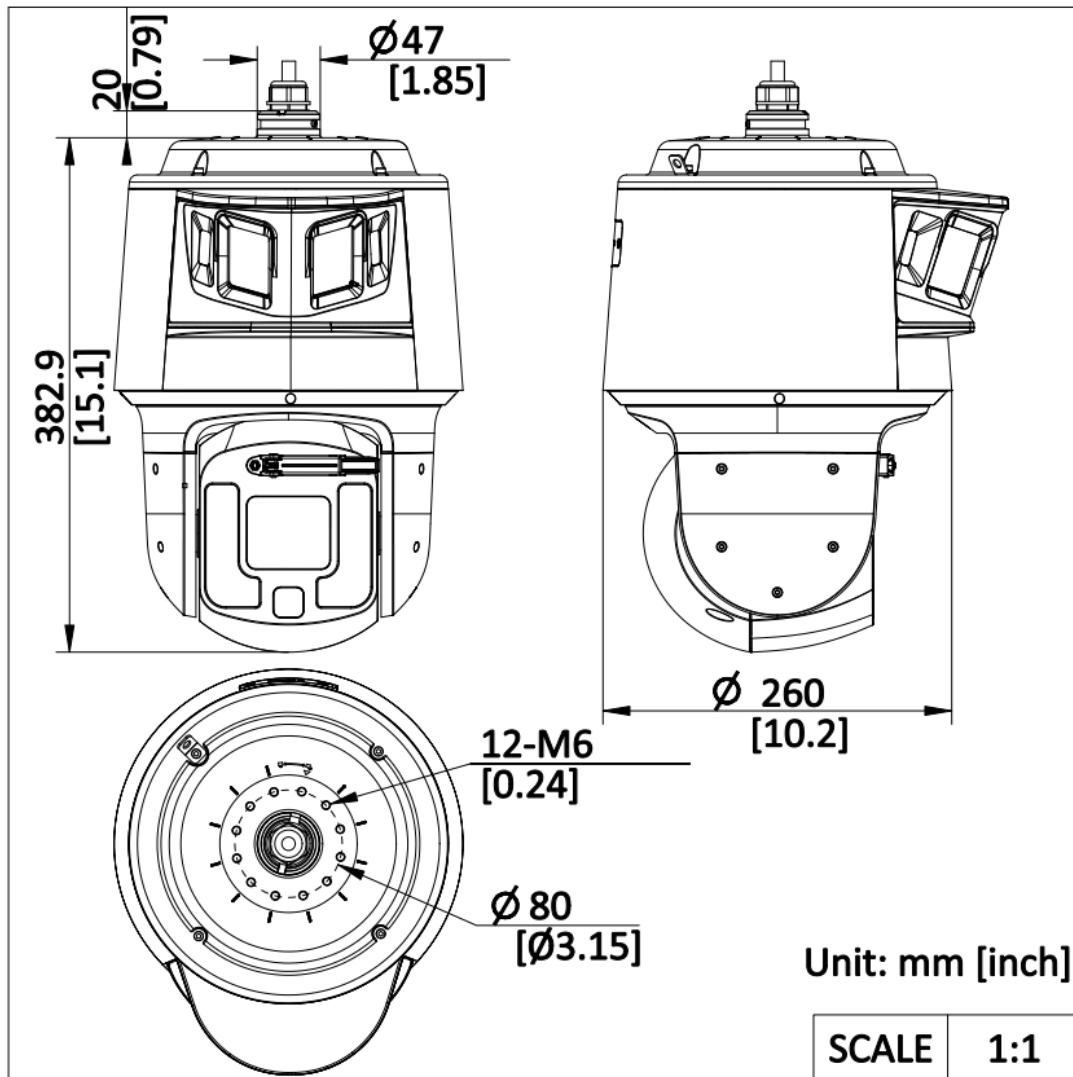
DS-2SF7C442MXG1/LM-ELW/26(F0)

DS-2SF7C442MXG1/LM-EL/26(F0)

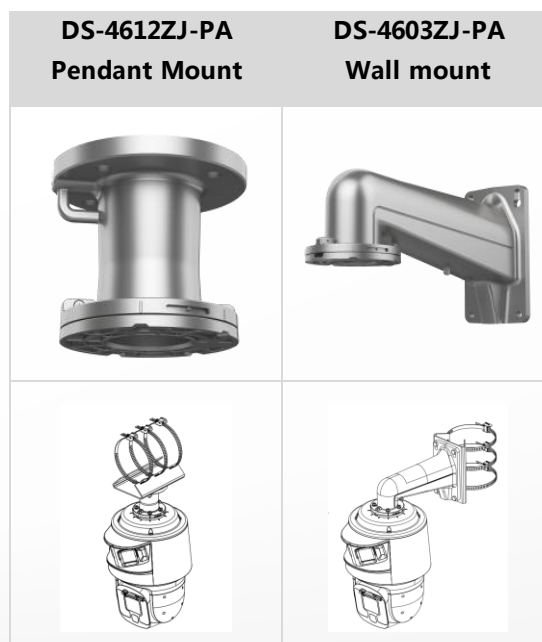
DS-2SF7C442MXG1/LM-ELY/26(F0)

DS-2SF7C442MXG1/LM-ELWY/26(F0)

▪ Dimension



- Accessory
- Optional



See Far, Go Further



www.hikvision.com
support@hikvision.com

