

DS-2CD1047G3H-LIU(F)(/SL)(/SRB) 4 MP ColorVu 3.0 Fixed Bullet Network Camera

ColorVu 3.0



- HikAI-ISP for excellent noise reduction effect
- Super clear 24/7 colorful imaging with ColorVu 3.0 technology
- Motion Detection 3.0, more accurate on person and vehicle classification
- /SL/SRB: Provide real-time security via built-in two-way audio and strobe light alarm
- Smart Hybrid Light: integrates IR and white lights, 3 supplemental lighting modes
- -F: Support on-board storage up to 512 GB (SD card slot) (Optional)
- Water and dust resistant (IP67)

▪ Specification

Camera	
Image Sensor	1/1.8" Progressive Scan CMOS
Max. Resolution	2560 × 1440
Min. Illumination	Color: 0.0001 Lux @ (F1.0, AGC ON)
Shutter Time	1 s to 1/100,000 s
Day & Night	IR cut filter
Angle Adjustment	Pan: 0° to 360°, tilt: 0° to 90°, rotate: 0° to 360°
Lens	
Lens Type	Fixed focal lens, 2.8 and 4 mm optional
Focal Length & FOV	2.8 mm, horizontal FOV 104°, vertical FOV 54.4°, diagonal FOV 126.7° 4 mm, horizontal FOV 89.3°, vertical FOV 48.2°, diagonal FOV 106.5°
Lens Mount	M16
Iris Type	Fixed
Aperture	F1.0
Depth of Field	2.8 mm: 2.5 m to ∞ 4 mm: 2.8 m to ∞
DORI	
DORI	2.8 mm, D: 61 m, O: 24 m, R: 12 m, I: 6 m 4 mm, D: 68 m, O: 27 m, R: 13 m, I: 6 m
Illuminator	
Supplement Light Type	IR, White Light
Supplement Light Range	Up to 30 m
Smart Supplement Light	Yes
IR Wavelength	850 nm
Video	
Main Stream	50 Hz: 25 fps (2560 × 1440, 1920 × 1080, 1280 × 720) 60 Hz: 24 fps (2560 × 1440, 1920 × 1080, 1280 × 720)
Sub-Stream	50 Hz: 25 fps (768 × 432, 640 × 360) 60 Hz: 24 fps (768 × 432, 640 × 360)
Video Compression	Main stream: H.265+/H.265/H.264+/H.264, Sub-stream: H.265/H.264/MJPEG
Video Bit Rate	32 Kbps to 16 Mbps
H.264 Type	Baseline Profile, Main Profile, High Profile
H.265 Type	Main Profile
Bit Rate Control	CBR, VBR
Region of Interest (ROI)	1 fixed region for main stream
Scalable Video Coding (SVC)	H.264 and H.265 encoding
Audio	
Audio Type	Mono sound
Audio Compression	G.711/G.722.1/G.726/MP2L2/PCM/MP3/AAC-LC
Audio Bit Rate	64 Kbps (G.711)/16 Kbps (G.722.1)/16 Kbps (G.726)/32 to 160 Kbps (MP2L2)/16 to 64 Kbps (AAC-LC)
Audio Sampling Rate	8 kHz/16 kHz

Environment Noise Filtering	Yes
Network	
Protocols	TCP/IP, ICMP, DHCP, DNS, HTTP, RTP, RTSP, RTCP, NTP, IPv4, IPv6, IGMP, UDP, QoS, FTP, SMTP
Simultaneous Live View	Up to 6 channels
API	ONVIF (Profile S, Profile G, Profile T), ISAPI, SDK, ISUP
Security	Password protection, complicated password, watermark, basic and digest authentication for HTTP, WSSE and digest authentication for Open Network Video Interface, security audit log, host authentication (MAC address)
User/Host	Up to 32 users 3 user levels: administrator, operator, and user
Client	iVMS-4200, Hik-Connect
Web Browser	Plug-in required live view: Chrome 80+, Firefox 80+, Edge 89+, Safari 13+, Plug-in free live view: Chrome 80+, Firefox 80+, Edge 89+
Image	
Image Settings	Rotate mode, saturation, brightness, contrast, sharpness, gain, white balance, adjustable by client software or web browser
Day/Night Switch	Day, Night, Auto, Schedule
Wide Dynamic Range (WDR)	120 dB
SNR	≥ 52 dB
Image Enhancement	BLC, HLC, 3D DNR
Privacy Mask	4 programmable polygon privacy masks
Interface	
Ethernet Interface	DS-2CD1047G3H-LIU(F)/(SL)/(SRB):1 RJ45 10 M/100 M self-adaptive Ethernet port 1 RJ45 10 M/100 M self-adaptive Ethernet port
On-Board Storage	DS-2CD1047G3H-LIU(F)/(SL)/(SRB):-LIUF/-SL/-SRB: Built-in memory card slot, support microSD/microSDHC/microSDXC card, up to 512 GB, -LIU: NA DS-2CD1047G3H-LIU(2.8mm)(海外标配), DS-2CD1047G3H-LIU(2.8mm)(海外中性), DS-2CD1047G3H-LIU(4mm)(海外标配), DS-2CD1047G3H-LIU(4mm)(海外中性): NA DS-2CD1047G3H-LIUF/SRB(2.8mm)(海外中性), DS-2CD1047G3H-LIUF/SRB(4mm)(海外中性), DS-2CD1047G3H-LIUF/SRB(2.8mm)(海外标配), DS-2CD1047G3H-LIUF/SRB(4mm)(海外标配), DS-2CD1047G3H-LIUF(2.8mm)(海外标配), DS-2CD1047G3H-LIUF(4mm)(海外标配), DS-2CD1047G3H-LIUF(2.8mm)(海外中性), DS-2CD1047G3H-LIUF(4mm)(海外中性), DS-2CD1047G3H-LIUF/SL(2.8mm)(海外标配), DS-2CD1047G3H-LIUF/SL(4mm)(海外标配), DS-2CD1047G3H-LIUF/SL(4mm)(海外中性), DS-2CD1047G3H-LIUF/SL(2.8mm)(海外中性): Built-in memory card slot, support microSD/microSDHC/microSDXC card, up to 512 GB
Built-in Microphone	Yes, 1 built-in microphone

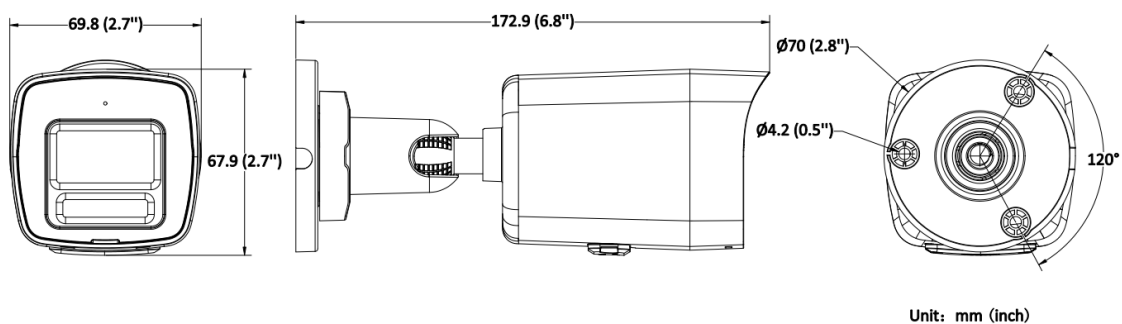
<p>Built-in Speaker</p>	<p>DS-2CD1047G3H-LIU(F)/(SL)/(SRB):-SL/-SRB: Max. power consumption: 1.5 W, max. sound pressure level: 10 cm: 98 dB, -LIU/-LIUF: NA DS-2CD1047G3H-LIUF/SRB(2.8mm)(海外中性),DS-2CD1047G3H-LIUF/SRB(4 mm)(海外中性),DS-2CD1047G3H-LIUF/SRB(2.8mm)(海外标配),DS-2CD1047G3H-LIUF/SRB(4mm)(海外标配),DS-2CD1047G3H-LIUF/SL(2.8mm)(海外标配),DS-2CD1047G3H-LIUF/SL(4mm)(海外标配),DS-2CD1047G3H-LIUF/SL(4mm)(海外中性),DS-2CD1047G3H-LIUF/SL(2.8mm)(海外中性):Max. power consumption: 1.5 W, max. sound pressure level: 10 cm: 98 dB. DS-2CD1047G3H-LIU(2.8mm)(海外标配),DS-2CD1047G3H-LIU(2.8mm)(海外中性),DS-2CD1047G3H-LIU(4mm)(海外标配),DS-2CD1047G3H-LIU(4mm)(海外中性),DS-2CD1047G3H-LIUF(2.8mm)(海外标配),DS-2CD1047G3H-LIUF(4 mm)(海外标配),DS-2CD1047G3H-LIUF(2.8mm)(海外中性),DS-2CD1047G3H-LIUF(4 mm)(海外中性):NA</p>
<p>Reset Key</p>	<p>DS-2CD1047G3H-LIU(F)/(SL)/(SRB):-LIUF/-SL/-SRB: Yes, -LIU: NA DS-2CD1047G3H-LIUF/SRB(2.8mm)(海外中性),DS-2CD1047G3H-LIUF/SRB(4 mm)(海外中性),DS-2CD1047G3H-LIUF/SRB(2.8mm)(海外标配),DS-2CD1047G3H-LIUF/SRB(4mm)(海外标配),DS-2CD1047G3H-LIUF(2.8mm)(海外标配),DS-2CD1047G3H-LIUF(4mm)(海外标配),DS-2CD1047G3H-LIUF(2.8mm)(海外中性),DS-2CD1047G3H-LIUF/SL(2.8mm)(海外标配),DS-2CD1047G3H-LIUF/SL(4mm)(海外标配),DS-2CD1047G3H-LIUF/SL(4mm)(海外中性),DS-2CD1047G3H-LIUF/SL(2.8mm)(海外中性):Yes DS-2CD1047G3H-LIU(2.8mm)(海外标配),DS-2CD1047G3H-LIU(2.8mm)(海外中性),DS-2CD1047G3H-LIU(4mm)(海外标配),DS-2CD1047G3H-LIU(4mm)(海外中性): NA</p>
<p>Event</p>	
<p>Basic Event</p>	<p>Motion detection (support alarm triggering by specified target types (human and vehicle)),video tampering alarm,exception</p>
<p>Linkage</p>	<p>Upload to FTP,notify surveillance center,send email,trigger recording,trigger capture</p>

General	
Power	<p>DS-2CD1047G3H-LIU(F)(/SL)(/SRB):-LIU: 12 VDC \pm 25%, 0.58 A, max. 7 W, \varnothing5.5 mm coaxial power plug, reverse polarity protection, PoE: IEEE 802.3af, Class 3,max. 9 W, -LIUF: 12 VDC \pm 25%, 0.67 A, max. 8 W, \varnothing5.5 mm coaxial power plug, reverse polarity protection, PoE: IEEE 802.3af, Class 3,max. 10 W, -SL/SRB: 12 VDC \pm 25%, 0.84 A, max. 10.1 W, \varnothing5.5 mm coaxial power plug, reverse polarity protection, PoE: IEEE 802.3af, Class 3,max. 12.1 W</p> <p>DS-2CD1047G3H-LIU(2.8mm)(海外标配),DS-2CD1047G3H-LIU(2.8mm)(海外中性),DS-2CD1047G3H-LIU(4mm)(海外标配),DS-2CD1047G3H-LIU(4mm)(海外中性):12 VDC \pm 25%, 0.58 A, max. 7 W,\varnothing5.5 mm coaxial power plug,reverse polarity protection, PoE: IEEE 802.3af, Class 3, max. 9 W</p> <p>DS-2CD1047G3H-LIUF(2.8mm)(海外标配),DS-2CD1047G3H-LIUF(4mm)(海外标配),DS-2CD1047G3H-LIUF(2.8mm)(海外中性),DS-2CD1047G3H-LIUF(4 mm)(海外中性):12 VDC \pm 25%, 0.67 A, max. 8 W,\varnothing5.5 mm coaxial power plug,reverse polarity protection, PoE: IEEE 802.3af, Class 3, max. 10 W</p> <p>DS-2CD1047G3H-LIUF/SRB(2.8mm)(海外中性),DS-2CD1047G3H-LIUF/SRB(4 mm)(海外中性),DS-2CD1047G3H-LIUF/SRB(2.8mm)(海外标配),DS-2CD1047G3H-LIUF/SRB(4mm)(海外标配),DS-2CD1047G3H-LIUF/SL(2.8mm)(海外标配),DS-2CD1047G3H-LIUF/SL(4mm)(海外标配),DS-2CD1047G3H-LIUF/SL(4mm)(海外中性),DS-2CD1047G3H-LIUF/SL(2.8mm)(海外中性):12 VDC \pm 25%, 0.84 A, max. 10.1 W,\varnothing5.5 mm coaxial power plug,reverse polarity protection, PoE: IEEE 802.3af, Class 3, max. 12.1 W</p>
Material	Cover: PLASTIC, main body: METAL
Dimension	<p>DS-2CD1047G3H-LIU(F)(/SL)(/SRB):-LIU: 69.1 mm \times 66.9 mm \times 172.9 mm (2.7" \times 2.6" \times 6.8"),</p> <p>-LIUF/-SL/-SRB: 69.1 mm \times 67.4 mm \times 179 mm (2.7" \times 2.7" \times 7.1")</p> <p>DS-2CD1047G3H-LIUF/SRB(2.8mm)(海外标配),DS-2CD1047G3H-LIUF/SRB(4 mm)(海外标配),DS-2CD1047G3H-LIUF(2.8mm)(海外标配),DS-2CD1047G3H-LIUF(4mm)(海外标配),DS-2CD1047G3H-LIUF/SL(2.8mm)(海外标配),DS-2CD1047G3H-LIUF/SL(4mm)(海外标配):69.1 mm \times 67.4 mm \times 179 mm (2.7" \times 2.7" \times 7.1")</p> <p>DS-2CD1047G3H-LIU(2.8mm)(海外标配),DS-2CD1047G3H-LIU(4mm)(海外标配):69.1 mm \times 66.9 mm \times 172.9 mm (2.7" \times 2.6" \times 6.8")</p>
Package Dimension	210 mm \times 116 mm \times 106 mm (8.3" \times 4.6" \times 4.2")

<p>Weight</p>	<p>DS-2CD1047G3H-LIU(F)(/SL)(/SRB):-LIU: Approx. 310 g (0.7 lb.), -LIUF: Approx. 315 g (0.7 lb.), -SL/-SRB: Approx. 325 g (0.7 lb.) DS-2CD1047G3H-LIUF/SRB(2.8mm)(海外标配),DS-2CD1047G3H-LIUF/SRB(4 mm)(海外标配),DS-2CD1047G3H-LIUF/SL(2.8mm)(海外标配),DS-2CD1047G3H-LIUF/SL(4 mm)(海外标配):Approx. 325 g (0.7 lb.) DS-2CD1047G3H-LIUF(2.8mm)(海外标配),DS-2CD1047G3H-LIUF(4mm)(海外标配):Approx. 315 g (0.7 lb.) DS-2CD1047G3H-LIU(2.8mm)(海外标配),DS-2CD1047G3H-LIU(4mm)(海外标配):Approx. 310 g (0.7 lb.)</p>
<p>With Package Weight</p>	<p>DS-2CD1047G3H-LIU(F)(/SL)(/SRB):-LIU: Approx. 465 g (1.0 lb.), -LIUF: Approx. 470 g (1.0 lb.), -SL/-SRB: Approx. 495 g (1.1 lb.) DS-2CD1047G3H-LIUF/SRB(2.8mm)(海外标配),DS-2CD1047G3H-LIUF/SRB(4 mm)(海外标配),DS-2CD1047G3H-LIUF/SL(2.8mm)(海外标配),DS-2CD1047G3H-LIUF/SL(4 mm)(海外标配):Approx. 495 g (1.1 lb.) DS-2CD1047G3H-LIU(2.8mm)(海外标配),DS-2CD1047G3H-LIU(4mm)(海外标配):Approx. 465 g (1.0 lb.) DS-2CD1047G3H-LIUF(2.8mm)(海外标配),DS-2CD1047G3H-LIUF(4mm)(海外标配):Approx. 470 g (1.0 lb.)</p>
<p>Storage Conditions</p>	<p>-30 °C to 60 °C (-22 °F to 140 °F). Humidity 95% or less (non-condensing)</p>
<p>Startup and Operating Conditions</p>	<p>-30 °C to 60 °C (-22 °F to 140 °F). Humidity 95% or less (non-condensing)</p>
<p>Language</p>	<p>English, Russian, Ukrainian, Arabic, Spanish, French, Portuguese, Turkish, Polish, German</p>
<p>General Function</p>	<p>Heartbeat,mirror,flash log,password reset via email,password protection,anti-banding</p>

Flashing Light	<p>DS-2CD1047G3H-LIU(F)(/SL)(/SRB):-SL: White Light, -SRB: Red and Blue Light, -LIU/LIUF: NA</p> <p>DS-2CD1047G3H-LIU(2.8mm)(海外标配),DS-2CD1047G3H-LIU(2.8mm)(海外中性),DS-2CD1047G3H-LIU(4mm)(海外标配),DS-2CD1047G3H-LIU(4mm)(海外中性),DS-2CD1047G3H-LIUF(2.8mm)(海外标配),DS-2CD1047G3H-LIUF(4mm)(海外标配),DS-2CD1047G3H-LIUF(2.8mm)(海外中性),DS-2CD1047G3H-LIUF(4mm)(海外中性):NA</p> <p>DS-2CD1047G3H-LIUF/SL(2.8mm)(海外标配),DS-2CD1047G3H-LIUF/SL(4mm)(海外标配),DS-2CD1047G3H-LIUF/SL(4mm)(海外中性),DS-2CD1047G3H-LIUF/SL(2.8mm)(海外中性):White Light</p> <p>DS-2CD1047G3H-LIUF/SRB(2.8mm)(海外中性),DS-2CD1047G3H-LIUF/SRB(4mm)(海外中性),DS-2CD1047G3H-LIUF/SRB(2.8mm)(海外标配),DS-2CD1047G3H-LIUF/SRB(4mm)(海外标配):Red and Blue Light</p>
Approval	
EMC	CE-EMC: EN 55032:2015+A1:2020, EN 50130-4:2011+A1:2014, EN IEC 61000-3-2:2019+A1:2021, EN 61000-3-3:2013+A1:2019+A2:2021
Safety	CB: IEC 62368-1:2014+A11, CE-LVD: EN 62368-1:2014/A11:2017
Environment	CE-RoHS: 2011/65/EU, WEEE: 2012/19/EU
Protection	IP67:IEC 60529-2013

▪ **Dimension**



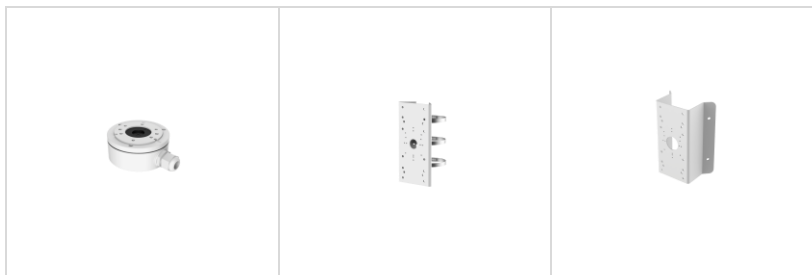
▪ **Accessory**

▪ **Optional**

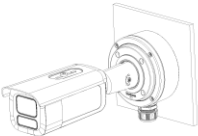
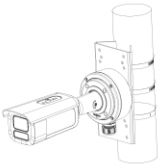
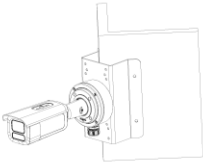
DS-1280ZJ-XS

DS-1275ZJ-SUS

DS-1276ZJ-SUS



▪ **Installation Methods**

Junction Box DS-1280ZJ-XS	Vertical Pole Mounting DS-1275ZJ-SUS+DS-12 80ZJ-XS	Corner Mounting DS-1276ZJ-SUS+DS-12 80ZJ-XS
		

See Far, Go Further



www.hikvision.com
support@hikvision.com

