

DS-D5027F3-2P2S
27 inch FHD 100Hz IPS Monitor with Speaker



- IPS technology for wide, 178° ultra-wide view screen.
- 8 bit LVDS FHD (1920 × 1080) display.
- 100 Hz refresh rate, more fluid and life-like video
- Ultra-thin device body with ultra-thin border for 3 sides.
- Multiple interfaces: HDMI, VGA
- Build-in speaker, Audio 2W*2.
- Low blue light design for eye care.
- 3D noise reduction.
- Support VESA wall mount.

▪ Specification

Display	
Screen Size	27 inch, 68.6 cm
Active Display Area	597.888 (H) mm × 336.312 (V) mm, 20.1 dm ²
Resolution	1920 × 1080
Backlight	E-LED
Pixel Pitch	0.3114 (H) mm × 0.3114 (V) mm
Brightness	300 cd/m ²
Viewing Angle	178° (H) / 178° (V)
Color Depth	8 bit, 16.7 M
Contrast Ratio	1300 : 1
Response Time	14 (Typ) ms
Refresh Rate	100 Hz
Haze	Haze 25%, 3H
Color Gamut	72% NTSC
Reliability	7 * 24H
Interface	
Video & Audio Input	HDMI1.4 × 1 , VGA×1 , Line-In × 1
Video & Audio Output	Speaker × 2
Data Transmission Interface	NULL
Control Interface	NULL
Power	
Power Supply	DC 12V, 2.5A Max
Power Consumption	≤ 30 W
Standby Consumption	≤ 0.5 W
Working Environment	
Working Temperature	0 °C to 40 °C (32 °F to 104 °F)
Working Humidity	10% ~ 90% RH (Non-Condensing)
Storage Temperature	-20 °C to 60 °C (-4°F to 140 °F)
Storage Humidity	5% ~ 90% RH (Non-Condensing)
General	
Speaker	2 W × 2
Casing Material	Plastic
VESA	100 mm × 100 mm (4-M4 × 10 mm)
Bezel Width	0.12 inch (top/left/right) , 0.87 inch (bottom)
Standby Time	600s
Product Dimensions (W × H × D)	(24.16 (W) × 14.5 (H) × 1.87(D)) inch (without base) , (24.16 (W) × 18.56(H) × 7.6(D)) inch (with base)
Package Dimensions (W × H × D)	(27.01 (W) × 17.72 (H) × 5.04 (D)) inch
Net Weight	3.45 ± 0.5 kg (7.61 ± 1.1 lb.)
Gross Weight	4.90 ± 0.5 kg (10.80 ± 1.1 lb.)
Packing List	Monitor × 1, Base component × 1, Base Screws (Hex Socket) × 1, Hex Key × 1, Adapter (12V 2.5A) × 1, HDMI Cable (1.5m) × 1, User Manual × 1, Multilingual manual × 1

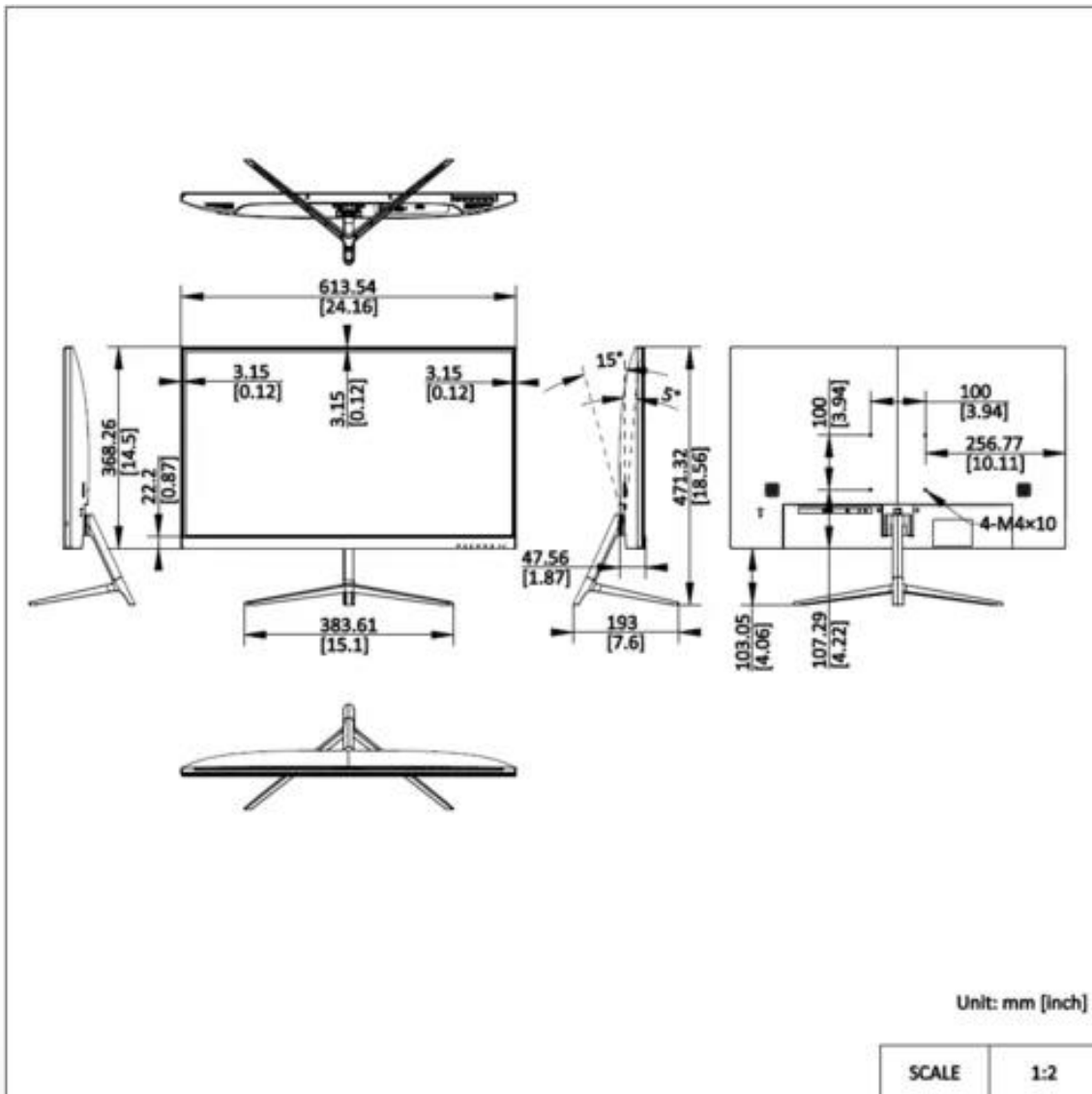
Remarks	<p>*The base is included by default.</p> <p>*The product appearance and parameters in this specification may vary from your actual device. Please consult our local sales staff for further information.</p>
---------	--

Physical Interface



Interface	Description	Interface	Description
HDMI	HDMI 1.4 digital signal input interface	VGA	VGA analog signal input interface
DC	DC 12V 2.5A input interface	Line-IN	3.5mm Audio Input



Dimension



- **Accessory**
- **Optional**

DP-D501940-1X1-Q 1-NW-Q0.1-TY/V20 0	DS-DM1940W
	

See Far, Go Further



www.hikvision.com
support@hikvision.com

