

## DS-2XC3T46G0H-LI(S)(U)(PA)

4 MP Smart Hybrid Light Fixed Bullet Polymer Anti-Corrosion Network Camera



Hikvision has been dedicated to develop products with security since established. Hikvision always follows security by design principle and has adopted many methods of security technologies into our product development lifecycle, including terminal security, data security, application security, network security, and privacy protection. In the meantime, the security technologies used by Hikvision are all in compliance with local applicable laws and safety regulations. These security measures could enhance product's cyber security protection capability and protect your devices as well as your data from malicious cyber attacks.

- 24/7 colorful imaging via ColorVu technology
- IR light, White light, Smart Hybrid Light modes
- Clear imaging against strong back light due to 130 dB WDR technology
- Anti-corrosion polymer enclosure, protecting cameras to be used in corrosive environments, providing reliability and longevity compared to standard cameras
- Water and dust resistant (IP68) and vandal resistant (IK10)
- -S and -SU models: Audio and alarm interface available
- Anti-corrosion polymer enclosure, protecting cameras to be used in corrosive environments, providing reliability and longevity compared to standard cameras

## ▪ Specification

| Camera                      |   |
|-----------------------------|---|
| Image Sensor                | 1/2.7" Progressive Scan CMOS  |
| Max. Resolution             | 2688 × 1520   |
| Min. Illumination           | Color: 0.001 Lux @ (F1.2, AGC ON), 0 Lux with light   |
| Shutter Time                | 1/3 s to 1/100,000 s  |
| Day & Night                 | IR cut filter   |
| Angle Adjustment            | Pan: 0° to 90°, tilt: 0° to 360°, rotate: 0° to 360°  |
| Lens                        |   |
| Lens Type                   | Fixed focal lens, 2.8 and 4 mm optional   |
| Focal Length & FOV          | 2.8 mm, horizontal FOV 100.2°, vertical FOV 54.7°, diagonal FOV 119.7°<br>4 mm, horizontal FOV 81.1°, vertical FOV 44.7°, diagonal FOV 94.6°  |
| Focus                       | Auto, Semi-auto, Manual   |
| Iris Type                   | Fixed   |
| Aperture                    | F1.0  |
| Depth of Field              | 2.8 mm: 1.9 m to ∞<br>4 mm: 2.5 m to ∞  |
| DORI                        |   |
| DORI                        | 2.8 mm, D: 63 m, O: 25 m, R: 12 m, I: 6 m<br>4 mm, D: 78 m, O: 31 m, R: 15 m, I: 7 m  |
| Illuminator                 |   |
| Supplement Light Type       | IR, White Light   |
| Supplement Light Range      | Up to 50 m  |
| Smart Supplement Light      | Yes   |
| IR Wavelength               | 850 nm  |
| Video                       |   |
| Main Stream                 | 50 Hz: 25 fps (2688 × 1520, 2560 × 1440, 1920 × 1080, 1280 × 720)<br>60 Hz: 30 fps (2688 × 1520, 2560 × 1440, 1920 × 1080, 1280 × 720)  |
| Sub-Stream                  | 50 Hz: 25 fps (704 × 576, 640 × 480)<br>60 Hz: 30 fps (704 × 480, 640 × 480)  |
| Third Stream                | 50 Hz: 10 fps (1920 × 1080, 1280 × 720, 704 × 576, 640 × 480)<br>60 Hz: 10 fps (1920 × 1080, 1280 × 720, 704 × 480, 640 × 480)<br>*Third stream is supported under certain settings.                                  |
| Fourth Stream               | 50 Hz: 10 fps (1280 × 720, 640 × 480, 640 × 360)<br>60 Hz: 10 fps (1280 × 720, 640 × 480, 640 × 360)<br>*Fourth stream is supported under certain settings.   |
| Video Compression           | Main stream: H.265/H.264/H.264+/H.265+,<br>Sub-stream: H.265/H.264/MJPEG,<br>Third stream: H.265/H.264,<br>Fourth stream: H.265/H.264/MJPEG,<br>*Third stream and fourth stream are supported under certain settings. |
| Video Bit Rate              | 32 Kbps to 8 Mbps   |
| H.264 Type                  | Baseline Profile, Main Profile, High Profile  |
| H.265 Type                  | Main Profile  |
| Bit Rate Control            | CBR, VBR  |
| Scalable Video Coding (SVC) | H.264 and H.265 encoding  |

|                             |   |
|-----------------------------|---|
| Region of Interest (ROI)    | 5 fixed regions for main stream   |
| Target Cropping             | Yes   |
| <b>Audio</b>                |   |
| Audio Compression           | -U: G.711/G.722.1/G.726/MP2L2/PCM/MP3/AAC-LC  |
| Audio Bit Rate              | -U: 64 Kbps (G.711ulaw/G.711alaw)/16 Kbps (G.722.1)/16 Kbps (G.726)/32 to 192 Kbps (MP2L2)/8 to 320 Kbps (MP3)/16 to 64 Kbps (AAC-LC)   |
| Audio Sampling Rate         | -U: 8 kHz/16 kHz/32 kHz/48 kHz  |
| Environment Noise Filtering | -U: Yes   |
| <b>Network</b>              |   |
| Protocols                   | TCP/IP, ICMP, HTTP, HTTPS, FTP, DHCP, DNS, DDNS, RTP, RTSP, NTP, UPnP, SMTP, IGMP, 802.1X, QoS, IPv4, IPv6, UDP, Bonjour, SSL/TLS, PPPoE, SFTP, ARP, SNMP, WebSocket, WebSockets, SRTP  |
| Simultaneous Live View      | Up to 20 channels   |
| API                         | ONVIF (Profile S, Profile G, Profile T), ISAPI, SDK, ISUP   |
| User/Host                   | Up to 32 users<br>3 user levels: administrator, operator, and user  |
| Security                    | Password protection, complicated password, HTTPS encryption, 802.1X authentication (EAP-TLS, EAP-LEAP, EAP-MD5), watermark, IP address filter, basic and digest authentication for HTTP/HTTPS, WSSE and digest authentication for Open Network Video Interface, RTP/RTSP over HTTPS, control timeout settings, security audit log, TLS 1.1/1.2/1.3, host authentication (MAC address) |
| Network Storage             | NAS (NFS, SMB/CIFS), Auto Network Replenishment (ANR)   |
| Client                      | iVMS-4200, Hik-Connect, Hik-Central   |
| Web Browser                 | Plug-in free live view: Chrome 80+, Firefox 80+, Edge 89+, Safari 13+,<br>Local service: Chrome 80+, Firefox 80+, Edge 89+, Safari 13+  |
| <b>Image</b>                |   |
| Image Parameters Switch     | Yes   |
| Image Settings              | Rotate mode, saturation, brightness, contrast, sharpness, gain, white balance, adjustable by client software or web browser   |
| Day/Night Switch            | Day, Night, Auto, Schedule, Alarm Trigger   |
| Wide Dynamic Range (WDR)    | 130 dB  |
| Image Enhancement           | BLC, HLC, 3D DNR, Defog   |
| SNR                         | ≥ 52 dB   |
| Privacy Mask                | 4 programmable polygon privacy masks  |
| <b>Interface</b>            |   |
| Ethernet Interface          | 1 RJ45 10 M/100 M self-adaptive Ethernet port   |
| Built-in Microphone         | -U: Yes, 1 built-in microphone  |
| Audio                       | -S: 1 input (line in), two-core terminal block, max. input amplitude: 3.3 Vpp, input impedance: 4.7 KΩ, interface type: non-equilibrium<br>-S: 1 output (line out), two-core terminal block, max. output amplitude: 3.3 Vpp, output impedance: 100 Ω, interface type: non-equilibrium   |
| Alarm                       | -S: 1 input, 1 output (max. 12 VDC, 0.1 A)  |
| RS-485                      | -S: 1 RS-485 (Half duplex, HIKVISION, Pelco-P, Pelco-D, self-adaptive)  |
| Reset Key                   | Yes   |

| Event                            |   |
|----------------------------------|---|
| Basic Event                      | Motion detection (support alarm triggering by specified target types (human and vehicle)), video tampering alarm, exception (network disconnected, IP address conflict, illegal login, HDD full, HDD error)   |
| Smart Event                      | unattended baggage detection, object removal detection, scene change detection, audio exception detection, defocus detection  |
| Linkage                          | notify surveillance center, send email, trigger recording, trigger capture, audible warning, -S: trigger alarm output   |
| Deep Learning Function           |   |
| Perimeter Protection             | Line crossing, intrusion, region entrance, region exiting<br>Support alarm triggering by specified target types (human and vehicle)   |
| General                          |   |
| Power                            | 12 VDC ± 25%, 0.84 A, max. 10 W, two-core terminal block, reverse polarity protection, PoE: IEEE 802.3af, Class 3, max. 10 W  |
| Material                         | Body: SMC+ 30% GF, Bracket: PA66+ 15% GF  |
| Dimension                        | 294.27 mm × 120.8 mm × 121.36 mm (11.59" × 4.76" × 4.77")   |
| Package Dimension                | 395 mm × 195 mm × 158 mm (15.55" × 7.68" × 6.22")   |
| Weight                           | Approx. 1480 g (3.26 lb.)   |
| With Package Weight              | Approx. 2035 g (4.49 lb.)   |
| Storage Conditions               | -30 °C to 60 °C (-22 °F to 140 °F). Humidity 95% or less (non-condensing)   |
| Startup and Operating Conditions | -30 °C to 60 °C (-22 °F to 140 °F). Humidity 95% or less (non-condensing)   |
| Language                         | 33 languages: English, Russian, Estonian, Bulgarian, Hungarian, Greek, German, Italian, Czech, Slovak, French, Polish, Dutch, Portuguese, Spanish, Romanian, Danish, Swedish, Norwegian, Finnish, Croatian, Slovenian, Serbian, Turkish, Korean, Traditional Chinese, Thai, Vietnamese, Japanese, Latvian, Lithuanian, Portuguese (Brazil), Ukrainian |
| General Function                 | Heartbeat, mirror, flash log, password reset via email, pixel counter, password protection, anti-banding  |
| Approval                         |   |
| EMC                              | CE-EMC: EN 55032:2015+A1:2020, EN 50130-4:2011+A1:2014, EN IEC 61000-3-2:2019+A1:2021, EN 61000-3-3:2013+A1:2019+A2:2021, RCM: AS/NZS CISPR 32: 2015, IC: ICES-003: Issue 7, KC: KN32: 2015, KN35: 2015   |
| Safety                           | CB: IEC 62368-1:2014+A11, CE-LVD: EN 62368-1:2014/A11: 2017   |
| Environment                      | CE-RoHS: 2011/65/EU, WEEE: 2012/19/EU, Reach: Regulation (EC) No 1907/2006  |
| Protection                       | IP68: IEC 60529-2013, IK10: IEC 62262:2002  |
| Anti-Corrosion Protection        | NEMA 4X (NEMA 250-2018), C5   |

## ▪ Typical Application

Hikvision products are classified into three levels according to their anti-corrosion performance. Refer to the following description to choose for your using environment.

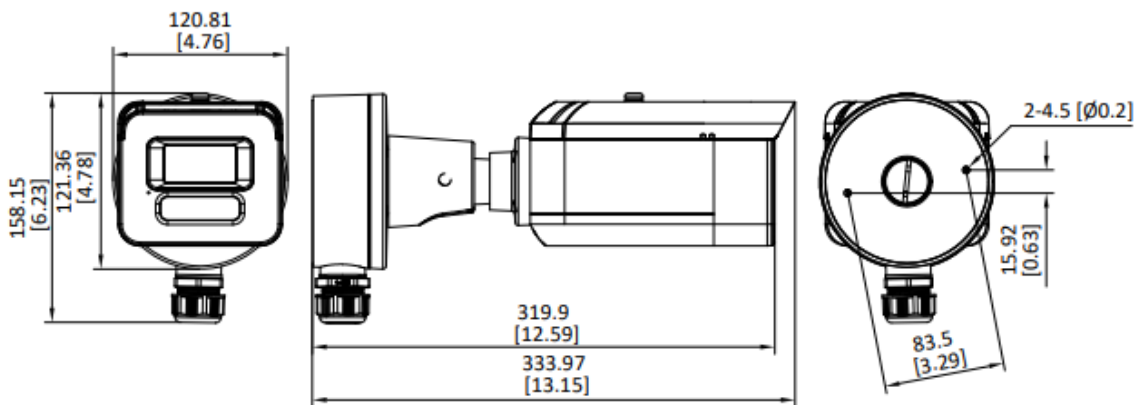
This model has TOP-LEVEL PROTECTION.

| Level                  | Description  |
|------------------------|--|
| Top-level protection   | Hikvision products at this level are equipped for use in areas where professional anti-corrosion protection is a must. Typical application scenarios include coastlines, docks, chemical plants, and more.   |
| Moderate protection    | Hikvision products at this level are equipped for use in areas with moderate anti-corrosion demands. Typical application scenarios include coastal areas about 2 kilometers (1.24 miles) away from coastlines, as well as areas affected by acid rain. |
| No specific protection | Hikvision products at this level are equipped for use in areas where no specific anti-corrosion protection is needed.  |

▪ **Available Model**

- DS-2XC3T46G0H-LISU(PA)(2.8mm)
- DS-2XC3T46G0H-LISU(PA)(4mm)
- DS-2XC6T46G0H-LISU(PA)(6mm)
- DS-2XC3T46G0H-LI(PA)(2.8mm)
- DS-2XC3T46G0H-LI(PA)(4mm)
- DS-2XC3T46G0H-LIS(PA)(2.8mm)
- DS-2XC3T46G0H-LIS(PA)(4mm)

▪ **Dimension**



| Camera Mounting Hole (mm) | Camera Mounting Hole (inch) |
|---------------------------|-----------------------------|
| 83.5(2*ø4.5)              | 3.29"(2*ø0.2)               |

Unit: mm [inch]

▪ **Accessory**

▪ **Included**

DS-1280ZJ-DM55

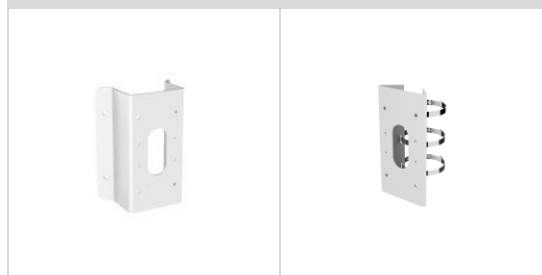
(B)-428CPY



▪ Optional

DS-1476ZJ-Y

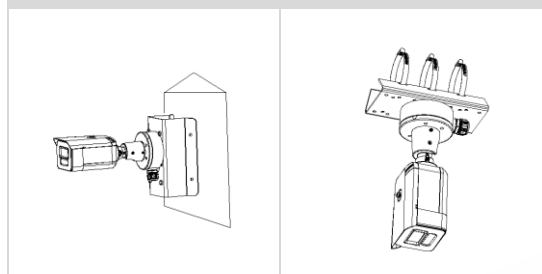
DS-1475ZJ-Y



▪ Installation Methods

Corner Mounting  
DS-1476ZJ-Y

Horizontal Pole  
Mounting  
DS-1475ZJ-Y



# See Far, Go Further



[www.hikvision.com](http://www.hikvision.com)  
[support@hikvision.com](mailto:support@hikvision.com)

