

## DS-2CD1041G2-LIU(F) 4 MP Smart Hybrid Light Fixed Bullet Network Camera



- High quality imaging with 4 MP resolution
- Support Human Detection
- Efficient H.265+ compression technology
- Smart Hybrid Light: advanced technology with long range coverage
- Built-in microphone for real-time audio security
- -F model supports on-board storage up to 512 GB (SD card slot)
- Water and dust resistant (IP67)

## ▪ Specification

Camera	
Image Sensor	1/2.8" Progressive Scan CMOS
Max. Resolution	2560 × 1440
Shutter Time	1/3 s to 1/100,000 s
Min. Illumination	Color: 0.01 Lux @ (F2.2, AGC ON), B/W: 0 Lux with IR
Day & Night	IR cut filter
Angle Adjustment	Pan: 0° to 360°, tilt: 0° to 90°, rotate: 0° to 360°
Lens	
Lens Type	Fixed focal lens, 2.8 and 4 mm optional
Focal Length & FOV	2.8 mm, horizontal FOV 104°, vertical FOV 57°, diagonal FOV 123° 4 mm, horizontal FOV 82°, vertical FOV 45°, diagonal FOV 98°
Lens Mount	M12
Iris Type	Fixed
Aperture	F2.2
Depth of Field	2.8 mm: 0.9 m to ∞ 4 mm: 1.1 m to ∞
DORI	
DORI	2.8 mm, D: 53 m, O: 21 m, R: 10 m, I: 5 m 4 mm, D: 67 m, O: 26 m, R: 13 m, I: 6 m
Illuminator	
Supplement Light Type	IR, White Light
Supplement Light Range	IR: up to 20 m White Light: up to 15 m
Smart Supplement Light	Yes
IR Wavelength	850 nm
Video	
Main Stream	50 Hz: 20 fps (2560 × 1440), 25 fps (1920 × 1080, 1280 × 720) 60 Hz: 20 fps (2560 × 1440), 24 fps (1920 × 1080, 1280 × 720)
Sub-Stream	50 Hz: 25 fps (1280 × 720, 640 × 480, 640 × 360) 60 Hz: 24 fps (1280 × 720, 640 × 480, 640 × 360)
Video Compression	Main stream: H.265+/H.265/H.264+/H.264, Sub-stream: H.265/H.264/MJPEG
Video Bit Rate	32 Kbps to 8 Mbps
H.264 Type	Baseline Profile, Main Profile, High Profile
H.265 Type	Main Profile
Bit Rate Control	CBR, VBR
Region of Interest (ROI)	1 fixed region for main stream
Audio	
Audio Type	Mono sound
Environment Noise Filtering	Yes
Audio Sampling Rate	8 kHz/16 kHz

Audio Compression	G.711ulaw/AAC-LC
Audio Bit Rate	64 Kbps (G.711ulaw)/16 to 64 Kbps (AAC-LC)
<b>Network</b>	
Protocols	TCP/IP, ICMP, DHCP, DNS, HTTP, RTP, RTCP, RTSP, NTP, IGMP, IPv4, IPv6, UDP, QoS, SNMP, DDNS
API	DS-2CD1041G2-LIU(F):With -F model: ONVIF (ProfileS, ProfileT, ProfileG), ISAPI, SDK Without -F model: ONVIF (ProfileS, ProfileT), ISAPI, SDK DS-2CD1041G2-LIUF(2.8mm)(海外标配),DS-2CD1041G2-LIUF(4mm)(海外标配),DS-2CD1041G2-LIUF(2.8mm)(海外中性),DS-2CD1041G2-LIUF(4mm)(海外中性):ONVIF (ProfileS, ProfileT, ProfileG),ISAPI,SDK DS-2CD1041G2-LIU(2.8mm)(海外标配),DS-2CD1041G2-LIU(4mm)(海外标配),DS-2CD1041G2-LIU(2.8mm)(海外中性),DS-2CD1041G2-LIU(4mm)(海外中性),DS-2CD1041G2-LIU(4mm)(BRA STD)CKD,DS-2CD1041G2-LIU(4mm)(印度制造)SKD,DS-2CD1041G2-LIU(2.8mm)(BRA STD)CKD,DS-2CD1041G2-LIU(4mm)(印度制造)SKD/B:ONVIF (ProfileS, ProfileT),ISAPI,SDK
Security	Password protection, complicated password, watermark, basic and digest authentication for HTTP, WSSE and digest authentication for Open Network Video Interface, security audit log, host authentication (MAC address)
Simultaneous Live View	Up to 6 channels
User/Host	Up to 32 users 3 user levels: administrator, operator, and user
Client	iVMS-4200,Hik-Connect
Web Browser	Local service: Chrome 80+, Firefox 80+, Edge 89+, IE 11
<b>Image</b>	
Image Settings	Saturation, brightness, contrast, sharpness, gain, white balance, adjustable by client software or web browser
Wide Dynamic Range (WDR)	Digital WDR
SNR	≥ 52 dB
Privacy Mask	1 programmable polygon privacy mask
Day/Night Switch	Day,Night,Auto,Schedule
Image Enhancement	BLC,HLC,3D DNR
<b>Interface</b>	
Ethernet Interface	1 RJ45 10 M/100 M self-adaptive Ethernet port

<p>On-Board Storage</p>	<p>DS-2CD1041G2-LIU(F):-F model: Built-in memory card slot, support microSD/microSDHC/microSDXC card, up to 512 GB  DS-2CD1041G2-LIU(2.8mm)(海外标配),DS-2CD1041G2-LIU(4mm)(海外标配),DS-2CD1041G2-LIU(2.8mm)(海外中性),DS-2CD1041G2-LIU(4mm)(海外中性),DS-2CD1041G2-LIU(4mm)(BRA STD)CKD,DS-2CD1041G2-LIU(4mm)(印度制造)SKD,DS-2CD1041G2-LIU(2.8mm)(BRA STD)CKD,DS-2CD1041G2-LIU(4mm)(印度制造)SKD/B:  NA  DS-2CD1041G2-LIUF(2.8mm)(海外标配),DS-2CD1041G2-LIUF(4mm)(海外标配),DS-2CD1041G2-LIUF(2.8mm)(海外中性),DS-2CD1041G2-LIUF(4mm)(海外中性):Built-in memory card slot, support microSD/microSDHC/microSDXC card, up to 512 GB</p>
<p>Built-in Microphone</p>	<p>Yes,1 built-in microphone</p>
<p>Reset Key</p>	<p>DS-2CD1041G2-LIU(F):-F model supports  DS-2CD1041G2-LIU(2.8mm)(海外标配),DS-2CD1041G2-LIU(4mm)(海外标配),DS-2CD1041G2-LIU(2.8mm)(海外中性),DS-2CD1041G2-LIU(4mm)(海外中性),DS-2CD1041G2-LIU(4mm)(BRA STD)CKD,DS-2CD1041G2-LIU(4mm)(印度制造)SKD,DS-2CD1041G2-LIU(2.8mm)(BRA STD)CKD,DS-2CD1041G2-LIU(4mm)(印度制造)SKD/B:  NA  DS-2CD1041G2-LIUF(2.8mm)(海外标配),DS-2CD1041G2-LIUF(4mm)(海外标配),DS-2CD1041G2-LIUF(2.8mm)(海外中性),DS-2CD1041G2-LIUF(4mm)(海外中性):Yes</p>
<p><b>Event</b></p>	
<p>Basic Event</p>	<p>Motion detection (support alarm triggering by specified target type (human)), exception</p>
<p>Linkage</p>	<p>DS-2CD1041G2-LIU(F):Upload to memory card (-F model supports), send email, notify surveillance center, trigger recording (-F model supports), trigger capture  DS-2CD1041G2-LIUF(2.8mm)(海外标配),DS-2CD1041G2-LIUF(4mm)(海外标配),DS-2CD1041G2-LIUF(2.8mm)(海外中性),DS-2CD1041G2-LIUF(4mm)(海外中性):Upload to memory card, send email, notify surveillance center, trigger recording, trigger capture  DS-2CD1041G2-LIU(2.8mm)(海外标配),DS-2CD1041G2-LIU(4mm)(海外标配),DS-2CD1041G2-LIU(2.8mm)(海外中性),DS-2CD1041G2-LIU(4mm)(海外中性),DS-2CD1041G2-LIU(4mm)(BRA STD)CKD,DS-2CD1041G2-LIU(4mm)(印度制造)SKD,DS-2CD1041G2-LIU(2.8mm)(BRA STD)CKD,DS-2CD1041G2-LIU(4mm)(印度制造)SKD/B:Send email, notify surveillance center, trigger capture</p>

General	
Power	<p>DS-2CD1041G2-LIU(F):LIU model: 12 VDC <math>\pm</math> 25%, 0.42 A, max. 5 W, <math>\varnothing</math>5.5 mm coaxial power plug, reverse polarity protection, PoE: IEEE 802.3af, Class 0, max. 6.5 W</p> <p>LIUF model: 12 VDC <math>\pm</math> 25%, 0.42 A, max. 5 W, <math>\varnothing</math>5.5 mm coaxial power plug, reverse polarity protection, PoE: IEEE 802.3af, Class 3, max. 6.5 W</p> <p>DS-2CD1041G2-LIU(2.8mm)(海外标配),DS-2CD1041G2-LIU(4mm)(海外标配),DS-2CD1041G2-LIU(2.8mm)(海外中性),DS-2CD1041G2-LIU(4mm)(海外中性),DS-2CD1041G2-LIU(4mm)(BRA STD)CKD,DS-2CD1041G2-LIU(4mm)(印度制造)SKD,DS-2CD1041G2-LIU(2.8mm)(BRA STD)CKD,DS-2CD1041G2-LIU(4mm)(印度制造)SKD/B:12 VDC <math>\pm</math> 25%, 0.42 A, max. 5 W, <math>\varnothing</math>5.5 mm coaxial power plug, reverse polarity protection, PoE: IEEE 802.3af, Class 0, max. 6.5 W</p> <p>DS-2CD1041G2-LIUF(2.8mm)(海外标配),DS-2CD1041G2-LIUF(4mm)(海外标配),DS-2CD1041G2-LIUF(2.8mm)(海外中性),DS-2CD1041G2-LIUF(4mm)(海外中性):12 VDC <math>\pm</math> 25%, 0.42 A, max. 5 W, <math>\varnothing</math>5.5 mm coaxial power plug, reverse polarity protection, PoE: IEEE 802.3af, Class 3, max. 6.5 W</p>
Material	Plastic
Dimension	<p>DS-2CD1041G2-LIU(F):With -F model: 172.9 mm <math>\times</math> 66.9 mm <math>\times</math> 69.1 mm (6.81" <math>\times</math> 2.63" <math>\times</math> 2.72") Without -F model: 138.8 mm <math>\times</math> 60.9 mm <math>\times</math> 57.9 mm (5.5" <math>\times</math> 2.4" <math>\times</math> 2.3")</p> <p>DS-2CD1041G2-LIU(2.8mm)(海外标配),DS-2CD1041G2-LIU(4mm)(海外标配),DS-2CD1041G2-LIU(2.8mm)(海外中性),DS-2CD1041G2-LIU(4mm)(海外中性),DS-2CD1041G2-LIU(4mm)(BRA STD)CKD,DS-2CD1041G2-LIU(4mm)(印度制造)SKD,DS-2CD1041G2-LIU(2.8mm)(BRA STD)CKD,DS-2CD1041G2-LIU(4mm)(印度制造)SKD/B: 138.8 mm <math>\times</math> 60.9 mm <math>\times</math> 57.9 mm (5.5" <math>\times</math> 2.4" <math>\times</math> 2.3")</p> <p>DS-2CD1041G2-LIUF(2.8mm)(海外标配),DS-2CD1041G2-LIUF(4mm)(海外标配),DS-2CD1041G2-LIUF(2.8mm)(海外中性),DS-2CD1041G2-LIUF(4mm)(海外中性): 172.9 mm <math>\times</math> 66.9 mm <math>\times</math> 69.1 mm (6.81" <math>\times</math> 2.63" <math>\times</math> 2.72")</p>

<p>Package Dimension</p>	<p>DS-2CD1041G2-LIU(F):With -F model: 216 mm × 121 mm × 118 mm (8.5" × 4.8" × 4.6") Without -F model: 163 mm × 75 mm × 75 mm (6.4" × 3.0" × 3.0") DS-2CD1041G2-LIU(2.8mm)(海外标配),DS-2CD1041G2-LIU(4mm)(海外标配),DS-2CD1041G2-LIU(2.8mm)(海外中性),DS-2CD1041G2-LIU(4mm)(海外中性),DS-2CD1041G2-LIU(4mm)(BRA STD)CKD,DS-2CD1041G2-LIU(4mm)(印度制造)SKD,DS-2CD1041G2-LIU(2.8mm)(BRA STD)CKD,DS-2CD1041G2-LIU(4mm)(印度制造)SKD/B: 163 mm × 75 mm × 75 mm (6.4" × 3.0" × 3.0") DS-2CD1041G2-LIUF(2.8mm)(海外标配),DS-2CD1041G2-LIUF(4mm)(海外标配),DS-2CD1041G2-LIUF(2.8mm)(海外中性),DS-2CD1041G2-LIUF(4mm)(海外中性):216 mm × 121 mm × 118 mm (8.5" × 4.8" × 4.6")</p>
<p>Weight</p>	<p>DS-2CD1041G2-LIU(F):With -F model: 250 g (0.55 lb.) Without -F model: Approx. 175 g (0.4 lb.) DS-2CD1041G2-LIUF(2.8mm)(海外标配),DS-2CD1041G2-LIUF(4mm)(海外标配),DS-2CD1041G2-LIUF(2.8mm)(海外中性),DS-2CD1041G2-LIUF(4mm)(海外中性):Approx. 250 g (0.55 lb.) DS-2CD1041G2-LIU(2.8mm)(海外标配),DS-2CD1041G2-LIU(4mm)(海外标配),DS-2CD1041G2-LIU(2.8mm)(海外中性),DS-2CD1041G2-LIU(4mm)(海外中性),DS-2CD1041G2-LIU(4mm)(BRA STD)CKD,DS-2CD1041G2-LIU(4mm)(印度制造)SKD,DS-2CD1041G2-LIU(2.8mm)(BRA STD)CKD,DS-2CD1041G2-LIU(4mm)(印度制造)SKD/B:Approx. 175 g (0.4 lb.)</p>
<p>With Package Weight</p>	<p>DS-2CD1041G2-LIU(F):With -F model: Approx. 450 g (0.99 lb.) Without -F model: Approx. 250 g (0.55 lb.) DS-2CD1041G2-LIU(2.8mm)(海外标配),DS-2CD1041G2-LIU(4mm)(海外标配),DS-2CD1041G2-LIU(2.8mm)(海外中性),DS-2CD1041G2-LIU(4mm)(海外中性),DS-2CD1041G2-LIU(4mm)(BRA STD)CKD,DS-2CD1041G2-LIU(4mm)(印度制造)SKD,DS-2CD1041G2-LIU(2.8mm)(BRA STD)CKD,DS-2CD1041G2-LIU(4mm)(印度制造)SKD/B: Approx. 250 g (0.55 lb.) DS-2CD1041G2-LIUF(2.8mm)(海外标配),DS-2CD1041G2-LIUF(4mm)(海外标配),DS-2CD1041G2-LIUF(2.8mm)(海外中性),DS-2CD1041G2-LIUF(4mm)(海外中性): Approx. 450 g (0.99 lb.)</p>
<p>Storage Conditions</p>	<p>-30 °C to 45 °C (-22 °F to 113 °F). Humidity 95% or less (non-condensing)</p>
<p>Startup and Operating Conditions</p>	<p>-30 °C to 45 °C (-22 °F to 113 °F). Humidity 95% or less (non-condensing)</p>
<p>Language</p>	<p>English, Ukrainian</p>
<p>General Function</p>	<p>Heartbeat,anti-banding,mirror,password protection,password reset via email</p>

Approval	
EMC	CE-EMC: EN 55032:2015+A1:2020, EN 50130-4:2011+A1:2014, EN IEC 61000-3-2:2019+A1:2021, EN 61000-3-3:2013+A1:2019+A2:2021, KC: KN32: 2015, KN35: 2015
Safety	CB: IEC 62368-1:2014+A11, CE-LVD: EN 62368-1:2014/A11: 2017
Environment	CE-RoHS: 2011/65/EU, WEEE: 2012/19/EU, Reach: Regulation (EC) No 1907/2006
Protection	IP67: IEC 60529-2013

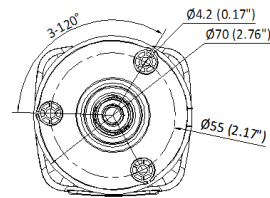
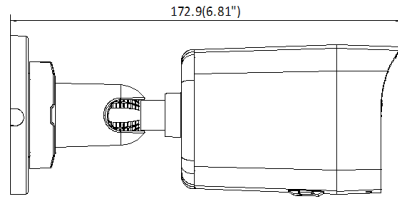
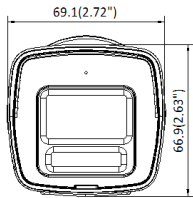
## ▪ Typical Application

Hikvision products are classified into three levels according to their anti-corrosion performance. Refer to the following description to choose for your using environment.

This model has NO SPECIFIC PROTECTION.

Level	Description
Top-level protection	Hikvision products at this level are equipped for use in areas where professional anti-corrosion protection is a must. Typical application scenarios include coastlines, docks, chemical plants, and more.
Moderate protection	Hikvision products at this level are equipped for use in areas with moderate anti-corrosion demands. Typical application scenarios include coastal areas about 2 kilometers (1.24 miles) away from coastlines, as well as areas affected by acid rain.
No specific protection	Hikvision products at this level are equipped for use in areas where no specific anti-corrosion protection is needed.




## ▪ Dimension



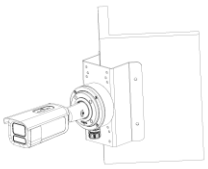
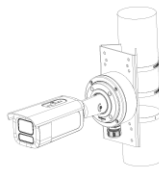
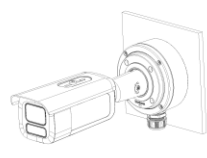
Unit: mm (inch)

▪ Accessory

▪ Optional

DS-1276ZJ-SUS	DS-1275ZJ-SUS	DS-1280ZJ-XS
		

▪ Installation Methods

Corner Mounting DS-1276ZJ-SUS+DS-1280ZJ-XS	Vertical Pole Mounting DS-1275ZJ-SUS+DS-1280ZJ-XS	Junction Box DS-1280ZJ-XS
		

# See Far, Go Further



[www.hikvision.com](http://www.hikvision.com)  
[support@hikvision.com](mailto:support@hikvision.com)

