

DS-2CD2126G2-I(SU)
2 MP AcuSense Fixed Dome Network Camera

AcuSense

Powered by
DarkFighter



Empowered by deep learning algorithms, Hikvision AcuSense technology brings human and vehicle targets classification alarms to front- and back-end devices. The system focuses on human and vehicle targets, vastly improving alarm efficiency and effectiveness.

- High quality imaging with 2 MP resolution
- Excellent low-light performance with powered-by-DarkFighter technology
- Efficient H.265+ compression technology
- Clear imaging against strong back light due to 120 dB true WDR technology
- Focus on human and vehicle classification based on deep learning
- -SU: Built-in microphone for real-time audio security, Audio and alarm interface available
- Water and dust resistant (IP67) and vandal resistant (IK10)

▪ Specification

Camera	
Image Sensor	1/2.8" Progressive Scan CMOS
Max. Resolution	1920 × 1080
Min. Illumination	Color: 0.002 Lux @ (F1.4, AGC ON), B/W: 0 Lux with IR
Shutter Time	1/3 s to 1/100,000 s
Day & Night	IR cut filter
Angle Adjustment	Pan: 0° to 355°, tilt: 0° to 75°, rotate: 0° to 355°
Lens	
Lens Type	Fixed focal lens, 2.8 and 4 mm optional
Focal Length & FOV	2.8 mm, horizontal FOV 107°, vertical FOV 57°, diagonal FOV 129° 4 mm, horizontal FOV 86°, vertical FOV 47°, diagonal FOV 102°
Lens Mount	M12
Iris Type	Fixed
Aperture	F1.4
Depth of Field	2.8 mm: 1.1 m to ∞ 4 mm: 1.2 m to ∞
DORI	
DORI	2.8 mm: D: 44 m, O: 17 m, R: 9 m, I: 4 m 4 mm: D: 53 m, O: 21 m, R: 11 m, I: 5 m
Illuminator	
Supplement Light Type	IR
Supplement Light Range	Up to 30 m
Smart Supplement Light	Yes
IR Wavelength	850 nm
Video	
Main Stream	50 Hz: 25 fps (1920 × 1080, 1280 × 720) 60 Hz: 30 fps (1920 × 1080, 1280 × 720)
Sub-Stream	50 Hz: 25 fps (640 × 480, 640 × 360) 60 Hz: 30 fps (640 × 480, 640 × 360)
Third Stream	50 Hz: 10 fps (1920 × 1080, 1280 × 720, 640 × 480, 640 × 360) 60 Hz: 10 fps (1920 × 1080, 1280 × 720, 640 × 480, 640 × 360), *Third stream is supported under certain settings.
Video Compression	Main stream: H.265/H.264/H.264+/H.265+ Sub-stream: H.265/H.264/MJPEG Third stream: H.265/H.264
Video Bit Rate	32 Kbps to 8 Mbps
H.264 Type	Baseline Profile, Main Profile, High Profile
H.265 Type	Main Profile
Bit Rate Control	CBR, VBR
Scalable Video Coding (SVC)	H.264 and H.265 encoding
Region of Interest (ROI)	1 fixed region for main stream and sub-stream

Audio	
Audio Compression	<p>DS-2CD2126G2-I(SU):-U: G.711/G.722.1/G.726/MP2L2/PCM/MP3/AAC-LC</p> <p>DS-2CD2126G2-I(2.8mm)(D)(海外标配),DS-2CD2126G2-I(2.8mm)(D)(海外中性),DS-2CD2126G2-I(4mm)(D)(海外标配),DS-2CD2126G2-I(4mm)(D)(海外中性):NA</p> <p>DS-2CD2126G2-ISU(2.8mm)(C)(海外中性),DS-2CD2126G2-ISU(4mm)(C)(海外标配),DS-2CD2126G2-ISU(2.8mm)(C)(海外标配),DS-2CD2126G2-ISU(4mm)(C)(海外中性),DS-2CD2126G2-I(2.8mm)(C)(海外标配),DS-2CD2126G2-I(4mm)(C)(海外标配),DS-2CD2126G2-I(2.8mm)(C)(海外中性),DS-2CD2126G2-I(4mm)(C)(海外中性),DS-2CD2126G2-ISU(2.8mm)(海外标配),DS-2CD2126G2-ISU(6mm)(海外标配),DS-2CD2126G2-ISU(4mm)(海外中性),DS-2CD2126G2-ISU(4mm)(海外标配),DS-2CD2126G2-ISU(6mm)(海外中性),DS-2CD2126G2-ISU(2.8mm)(海外中性),DS-2CD2126G2-IS(2.8mm)(海外标配),DS-2CD2126G2-IS(6mm)(海外标配),DS-2CD2126G2-IS(4mm)(海外中性),DS-2CD2126G2-IS(4mm)(海外标配),DS-2CD2126G2-IS(6mm)(海外中性),DS-2CD2126G2-IS(2.8mm)(海外中性),DS-2CD2126G2-I(2.8mm)(海外标配),DS-2CD2126G2-I(6mm)(海外标配),DS-2CD2126G2-I(4mm)(海外中性),DS-2CD2126G2-I(4mm)(海外标配),DS-2CD2126G2-I(6mm)(海外中性),DS-2CD2126G2-I(2.8mm)(海外中性):-U: G.711/G.722.1/G.726/MP2L2/PCM/MP3/AAC-LC</p> <p>DS-2CD2126G2-ISU(2.8mm)(D)(海外标配),DS-2CD2126G2-ISU(2.8mm)(D)(海外中性),DS-2CD2126G2-ISU(4mm)(D)(海外标配),DS-2CD2126G2-ISU(4mm)(D)(海外中性):G.711/G.722.1/G.726/MP2L2/PCM/MP3/AAC-LC</p>

<p>Audio Bit Rate</p>	<p>DS-2CD2126G2-I(SU):-U: 64 Kbps (G.711ulaw/G.711alaw)/16 Kbps (G.722.1)/16 Kbps (G.726)/32 to 192 Kbps (MP2L2)/8 to 320 Kbps (MP3)/16 to 64 Kbps (AAC-LC) DS-2CD2126G2-ISU(2.8mm)(C)(海外中性),DS-2CD2126G2-ISU(4mm)(C)(海外标配),DS-2CD2126G2-ISU(2.8mm)(C)(海外标配),DS-2CD2126G2-ISU(4mm)(C)(海外中性),DS-2CD2126G2-I(2.8mm)(C)(海外标配),DS-2CD2126G2-I(4mm)(C)(海外标配),DS-2CD2126G2-I(2.8mm)(C)(海外中性),DS-2CD2126G2-I(4mm)(C)(海外中性),DS-2CD2126G2-ISU(2.8mm)(海外标配),DS-2CD2126G2-ISU(6mm)(海外标配),DS-2CD2126G2-ISU(4mm)(海外中性),DS-2CD2126G2-ISU(4mm)(海外标配),DS-2CD2126G2-ISU(6mm)(海外中性),DS-2CD2126G2-ISU(2.8mm)(海外中性),DS-2CD2126G2-IS(2.8mm)(海外标配),DS-2CD2126G2-IS(6mm)(海外标配),DS-2CD2126G2-IS(4mm)(海外中性),DS-2CD2126G2-IS(4mm)(海外标配),DS-2CD2126G2-IS(6mm)(海外中性),DS-2CD2126G2-IS(2.8mm)(海外中性),DS-2CD2126G2-I(2.8mm)(海外标配),DS-2CD2126G2-I(6mm)(海外标配),DS-2CD2126G2-I(4mm)(海外中性),DS-2CD2126G2-I(4mm)(海外标配),DS-2CD2126G2-I(6mm)(海外中性),DS-2CD2126G2-I(2.8mm)(海外中性):-U: 64 Kbps (G.711ulaw/G.711alaw)/16 Kbps (G.722.1)/16 Kbps (G.726)/32 to 192 Kbps (MP2L2)/8 to 320 Kbps (MP3)/16 to 64 Kbps (AAC-LC) DS-2CD2126G2-I(2.8mm)(D)(海外标配),DS-2CD2126G2-I(2.8mm)(D)(海外中性),DS-2CD2126G2-I(4mm)(D)(海外标配),DS-2CD2126G2-I(4mm)(D)(海外中性):NA DS-2CD2126G2-ISU(2.8mm)(D)(海外标配),DS-2CD2126G2-ISU(2.8mm)(D)(海外中性),DS-2CD2126G2-ISU(4mm)(D)(海外标配),DS-2CD2126G2-ISU(4mm)(D)(海外中性):64 Kbps (G.711ulaw/G.711alaw)/16 Kbps (G.722.1)/16 Kbps (G.726)/32 to 192 Kbps (MP2L2)/8 to 320 Kbps (MP3)/16 to 64 Kbps (AAC-LC)</p>
-----------------------	---------------------------------------------------------------------------------------------------------------------------------------------------------------------------------------------------------------------------------------------------------------------------------------------------------------------------------------------------------------------------------------------------------------------------------------------------------------------------------------------------------------------------------------------------------------------------------------------------------------------------------------------------------------------------------------------------------------------------------------------------------------------------------------------------------------------------------------------------------------------------------------------------------------------------------------------------------------------------------------------------------------------------------------------------------------------------------------------------------------------------------------------------------------------------------------------------------------------------------------------------------------------------------------------------------------------------------------------------------------------------------------------------------------------------------------------------------------------------------------------

<p>Audio Sampling Rate</p>	<p>DS-2CD2126G2-I(SU):-U: 8 kHz/16 kHz/32 kHz/44.1 kHz/48 kHz DS-2CD2126G2-ISU(2.8mm)(C)(海外中性),DS-2CD2126G2-ISU(4mm)(C)(海外标配),DS-2CD2126G2-ISU(2.8mm)(C)(海外标配),DS-2CD2126G2-ISU(4mm)(C)(海外中性),DS-2CD2126G2-I(2.8mm)(C)(海外标配),DS-2CD2126G2-I(4mm)(C)(海外标配),DS-2CD2126G2-I(2.8mm)(C)(海外中性),DS-2CD2126G2-I(4mm)(C)(海外中性),DS-2CD2126G2-ISU(2.8mm)(海外标配),DS-2CD2126G2-ISU(6mm)(海外标配),DS-2CD2126G2-ISU(4mm)(海外中性),DS-2CD2126G2-ISU(4mm)(海外标配),DS-2CD2126G2-ISU(6mm)(海外中性),DS-2CD2126G2-ISU(2.8mm)(海外中性),DS-2CD2126G2-IS(2.8mm)(海外标配),DS-2CD2126G2-IS(6mm)(海外标配),DS-2CD2126G2-IS(4mm)(海外中性),DS-2CD2126G2-IS(4mm)(海外标配),DS-2CD2126G2-IS(6mm)(海外中性),DS-2CD2126G2-IS(2.8mm)(海外中性),DS-2CD2126G2-I(2.8mm)(海外标配),DS-2CD2126G2-I(6mm)(海外标配),DS-2CD2126G2-I(4mm)(海外中性),DS-2CD2126G2-I(4mm)(海外标配),DS-2CD2126G2-I(6mm)(海外中性),DS-2CD2126G2-I(2.8mm)(海外中性):-U: 8 kHz/16 kHz/32 kHz/44.1 kHz/48 kHz DS-2CD2126G2-I(2.8mm)(D)(海外标配),DS-2CD2126G2-I(2.8mm)(D)(海外中性),DS-2CD2126G2-I(4mm)(D)(海外标配),DS-2CD2126G2-I(4mm)(D)(海外中性):NA DS-2CD2126G2-ISU(2.8mm)(D)(海外标配),DS-2CD2126G2-ISU(2.8mm)(D)(海外中性),DS-2CD2126G2-ISU(4mm)(D)(海外标配),DS-2CD2126G2-ISU(4mm)(D)(海外中性):8 kHz/16 kHz/32 kHz/44.1 kHz/48 kHz</p>
----------------------------	---------------------------------------------------------------------------------------------------------------------------------------------------------------------------------------------------------------------------------------------------------------------------------------------------------------------------------------------------------------------------------------------------------------------------------------------------------------------------------------------------------------------------------------------------------------------------------------------------------------------------------------------------------------------------------------------------------------------------------------------------------------------------------------------------------------------------------------------------------------------------------------------------------------------------------------------------------------------------------------------------------------------------------------------------------------------------------------------------------------------------------------------------------------------------------------------------

<p>Environment Noise Filtering</p>	<p>DS-2CD2126G2-I(SU):-U: Yes DS-2CD2126G2-I(2.8mm)(D)(海外标配),DS-2CD2126G2-I(2.8mm)(D)(海外中性),DS-2CD2126G2-I(4mm)(D)(海外标配),DS-2CD2126G2-I(4mm)(D)(海外中性):NA DS-2CD2126G2-ISU(2.8mm)(D)(海外标配),DS-2CD2126G2-ISU(2.8mm)(D)(海外中性),DS-2CD2126G2-ISU(4mm)(D)(海外标配),DS-2CD2126G2-ISU(4mm)(D)(海外中性):Yes DS-2CD2126G2-ISU(2.8mm)(C)(海外中性),DS-2CD2126G2-ISU(4mm)(C)(海外标配),DS-2CD2126G2-ISU(2.8mm)(C)(海外标配),DS-2CD2126G2-ISU(4mm)(C)(海外中性),DS-2CD2126G2-I(2.8mm)(C)(海外标配),DS-2CD2126G2-I(4mm)(C)(海外标配),DS-2CD2126G2-I(2.8mm)(C)(海外中性),DS-2CD2126G2-I(4mm)(C)(海外中性),DS-2CD2126G2-ISU(2.8mm)(海外标配),DS-2CD2126G2-ISU(6mm)(海外标配),DS-2CD2126G2-ISU(4mm)(海外中性),DS-2CD2126G2-ISU(4mm)(海外标配),DS-2CD2126G2-ISU(6mm)(海外中性),DS-2CD2126G2-ISU(2.8mm)(海外中性),DS-2CD2126G2-IS(2.8mm)(海外标配),DS-2CD2126G2-IS(6mm)(海外标配),DS-2CD2126G2-IS(4mm)(海外中性),DS-2CD2126G2-IS(4mm)(海外标配),DS-2CD2126G2-IS(6mm)(海外中性),DS-2CD2126G2-IS(2.8mm)(海外中性),DS-2CD2126G2-I(2.8mm)(海外标配),DS-2CD2126G2-I(6mm)(海外标配),DS-2CD2126G2-I(4mm)(海外中性),DS-2CD2126G2-I(4mm)(海外标配),DS-2CD2126G2-I(6mm)(海外中性),DS-2CD2126G2-I(2.8mm)(海外中性):-U: Yes</p>
<p>Network</p>	
<p>Protocols</p>	<p>TCP/IP, ICMP, HTTP, HTTPS, FTP, DHCP, DNS, DDNS, RTP, RTSP, NTP, UPnP, SMTP, IGMP, 802.1X, QoS, IPv4, IPv6, UDP, Bonjour, SSL/TLS, PPPoE, SNMP, WebSocket, WebSockets</p>
<p>Simultaneous Live View</p>	<p>Up to 6 channels</p>
<p>API</p>	<p>Open Network Video Interface (Profile S, Profile G, Profile T),ISAPI,SDK,ISUP</p>
<p>Smooth Streaming</p>	<p>Yes</p>
<p>User/Host</p>	<p>Up to 32 users 3 user levels: administrator, operator, and user</p>

<p>Security</p>	<p>DS-2CD2126G2-I(SU):Password protection, complicated password, HTTPS encryption, 802.1X authentication (EAP-TLS, EAP-LEAP, EAP-MD5), watermark, IP address filter, basic and digest authentication for HTTP/HTTPS, WSSE and digest authentication for Open Network Video Interface, RTP/RTSP over HTTPS, control timeout settings, security audit log, TLS 1.3, host authentication (MAC address)</p> <p>DS-2CD2126G2-ISU(2.8mm)(C)(海外中性),DS-2CD2126G2-ISU(4mm)(C)(海外标配),DS-2CD2126G2-ISU(2.8mm)(C)(海外标配),DS-2CD2126G2-ISU(4mm)(C)(海外中性),DS-2CD2126G2-I(2.8mm)(C)(海外标配),DS-2CD2126G2-I(4mm)(C)(海外标配),DS-2CD2126G2-I(2.8mm)(C)(海外中性),DS-2CD2126G2-I(4mm)(C)(海外中性):Password protection, complicated password, HTTPS encryption, IP address filter, Security Audit Log, basic and digest authentication for HTTP/HTTPS, TLS 1.1/1.2, WSSE and digest authentication for Open Network Video Interface</p> <p>DS-2CD2126G2-ISU(2.8mm)(海外标配),DS-2CD2126G2-ISU(6mm)(海外标配),DS-2CD2126G2-ISU(4mm)(海外中性),DS-2CD2126G2-ISU(4mm)(海外标配),DS-2CD2126G2-ISU(6mm)(海外中性),DS-2CD2126G2-ISU(2.8mm)(海外中性),DS-2CD2126G2-IS(2.8mm)(海外标配),DS-2CD2126G2-IS(6mm)(海外标配),DS-2CD2126G2-IS(4mm)(海外中性),DS-2CD2126G2-IS(4mm)(海外标配),DS-2CD2126G2-IS(6mm)(海外中性),DS-2CD2126G2-IS(2.8mm)(海外中性),DS-2CD2126G2-I(2.8mm)(海外标配),DS-2CD2126G2-I(6mm)(海外标配),DS-2CD2126G2-I(4mm)(海外中性),DS-2CD2126G2-I(4mm)(海外标配),DS-2CD2126G2-I(6mm)(海外中性),DS-2CD2126G2-I(2.8mm)(海外中性),DS-2CD2126G2-I(2.8mm)(D)(海外标配),DS-2CD2126G2-I(2.8mm)(D)(海外中性),DS-2CD2126G2-I(4mm)(D)(海外标配),DS-2CD2126G2-I(4mm)(D)(海外中性),DS-2CD2126G2-ISU(2.8mm)(D)(海外标配),DS-2CD2126G2-ISU(2.8mm)(D)(海外中性),DS-2CD2126G2-ISU(4mm)(D)(海外标配),DS-2CD2126G2-ISU(4mm)(D)(海外中性)</p> <p>性):Password protection, complicated password, HTTPS encryption, 802.1X authentication (EAP-TLS, EAP-LEAP, EAP-MD5), watermark, IP address filter, basic and digest authentication for HTTP/HTTPS, WSSE and digest authentication for Open Network Video Interface, RTP/RTSP over HTTPS, control timeout settings, security audit log, TLS 1.3, host authentication (MAC address)</p>
<p>Network Storage</p>	<p>NAS (NFS, SMB/CIFS),Auto Network Replenishment (ANR), Together with high-end Hikvision memory card, memory card encryption and health detection are supported.</p>
<p>Client</p>	<p>iVMS-4200,Hik-Connect,Hik-Central</p>
<p>Web Browser</p>	<p>Plug-in required live view: IE 10, IE 11, Plug-in free live view: Chrome 57.0+, Firefox 52.0+, Edge 89+, Local service: Chrome 57.0+, Firefox 52.0+, Edge 89+</p>
<p>Image</p>	
<p>Image Parameters Switch</p>	<p>Yes</p>

Image Settings	Rotate mode,saturation,brightness,contrast,sharpness,gain,white balance,adjustable by client software or web browser
Day/Night Switch	Day,Night,Auto,Schedule
Wide Dynamic Range (WDR)	120 dB
SNR	≥ 52 dB
Image Enhancement	BLC,HLC,3D DNR
Privacy Mask	Yes
Interface	
Ethernet Interface	1 RJ45 10 M/100 M self-adaptive Ethernet port
On-Board Storage	Built-in memory card slot, support microSD card, up to 512 GB
Built-in Microphone	<p>DS-2CD2126G2-I(SU):-U: Yes</p> <p>DS-2CD2126G2-I(2.8mm)(D)(海外标配),DS-2CD2126G2-I(2.8mm)(D)(海外中性),DS-2CD2126G2-I(4mm)(D)(海外标配),DS-2CD2126G2-I(4mm)(D)(海外中性):NA</p> <p>DS-2CD2126G2-ISU(2.8mm)(D)(海外标配),DS-2CD2126G2-ISU(2.8mm)(D)(海外中性),DS-2CD2126G2-ISU(4mm)(D)(海外标配),DS-2CD2126G2-ISU(4mm)(D)(海外中性):Yes</p> <p>DS-2CD2126G2-ISU(2.8mm)(C)(海外中性),DS-2CD2126G2-ISU(4mm)(C)(海外标配),DS-2CD2126G2-ISU(2.8mm)(C)(海外标配),DS-2CD2126G2-ISU(4mm)(C)(海外中性),DS-2CD2126G2-I(2.8mm)(C)(海外标配),DS-2CD2126G2-I(4mm)(C)(海外标配),DS-2CD2126G2-I(2.8mm)(C)(海外中性),DS-2CD2126G2-I(4mm)(C)(海外中性),DS-2CD2126G2-ISU(2.8mm)(海外标配),DS-2CD2126G2-ISU(6mm)(海外标配),DS-2CD2126G2-ISU(4mm)(海外中性),DS-2CD2126G2-ISU(4mm)(海外标配),DS-2CD2126G2-ISU(6mm)(海外中性),DS-2CD2126G2-ISU(2.8mm)(海外中性),DS-2CD2126G2-IS(2.8mm)(海外标配),DS-2CD2126G2-IS(6mm)(海外标配),DS-2CD2126G2-IS(4mm)(海外中性),DS-2CD2126G2-IS(4mm)(海外标配),DS-2CD2126G2-IS(6mm)(海外中性),DS-2CD2126G2-IS(2.8mm)(海外中性),DS-2CD2126G2-I(2.8mm)(海外标配),DS-2CD2126G2-I(6mm)(海外标配),DS-2CD2126G2-I(4mm)(海外中性),DS-2CD2126G2-I(4mm)(海外标配),DS-2CD2126G2-I(6mm)(海外中性),DS-2CD2126G2-I(2.8mm)(海外中性):-U: Yes</p>

<p>Audio</p>	<p>DS-2CD2126G2-I(SU):-S: 1 input (line in), two-core terminal block, max. input amplitude: 3.3 Vpp, input impedance: 4.7 KΩ, interface type: non-equilibrium; 1 output (line out), two-core terminal block, max. output amplitude: 3.3 Vpp, output impedance: 100 Ω, interface type: non-equilibrium</p> <p>DS-2CD2126G2-I(2.8mm)(D)(海外标配),DS-2CD2126G2-I(2.8mm)(D)(海外中性),DS-2CD2126G2-I(4mm)(D)(海外标配),DS-2CD2126G2-I(4mm)(D)(海外中性):NA</p> <p>DS-2CD2126G2-ISU(2.8mm)(D)(海外标配),DS-2CD2126G2-ISU(2.8mm)(D)(海外中性),DS-2CD2126G2-ISU(4mm)(D)(海外标配),DS-2CD2126G2-ISU(4mm)(D)(海外中性):1 input (line in), two-core terminal block, max. input amplitude: 3.3 Vpp, input impedance: 4.7 KΩ, interface type: non-equilibrium; 1 output (line out), two-core terminal block, max. output amplitude: 3.3 Vpp, output impedance: 100 Ω, interface type: non-equilibrium</p> <p>DS-2CD2126G2-ISU(2.8mm)(C)(海外中性),DS-2CD2126G2-ISU(4mm)(C)(海外标配),DS-2CD2126G2-ISU(2.8mm)(C)(海外标配),DS-2CD2126G2-ISU(4mm)(C)(海外中性),DS-2CD2126G2-I(2.8mm)(C)(海外标配),DS-2CD2126G2-I(4mm)(C)(海外标配),DS-2CD2126G2-I(2.8mm)(C)(海外中性),DS-2CD2126G2-I(4mm)(C)(海外中性),DS-2CD2126G2-ISU(2.8mm)(海外标配),DS-2CD2126G2-ISU(6mm)(海外标配),DS-2CD2126G2-ISU(4mm)(海外中性),DS-2CD2126G2-ISU(4mm)(海外标配),DS-2CD2126G2-ISU(6mm)(海外中性),DS-2CD2126G2-ISU(2.8mm)(海外中性),DS-2CD2126G2-IS(2.8mm)(海外标配),DS-2CD2126G2-IS(6mm)(海外标配),DS-2CD2126G2-IS(4mm)(海外中性),DS-2CD2126G2-IS(4mm)(海外标配),DS-2CD2126G2-IS(6mm)(海外中性),DS-2CD2126G2-IS(2.8mm)(海外中性),DS-2CD2126G2-I(2.8mm)(海外标配),DS-2CD2126G2-I(6mm)(海外标配),DS-2CD2126G2-I(4mm)(海外中性),DS-2CD2126G2-I(4mm)(海外标配),DS-2CD2126G2-I(6mm)(海外中性),DS-2CD2126G2-I(2.8mm)(海外中性):-S: 1 input (line in), two-core terminal block, max. input amplitude: 3.3 Vpp, input impedance: 4.7 KΩ, interface type: non-equilibrium; 1 output (line out), two-core terminal block, max. output amplitude: 3.3 Vpp, output impedance: 100 Ω, interface type: non-equilibrium</p>
--------------	---------------------------------------------------------------------------------------------------------------------------------------------------------------------------------------------------------------------------------------------------------------------------------------------------------------------------------------------------------------------------------------------------------------------------------------------------------------------------------------------------------------------------------------------------------------------------------------------------------------------------------------------------------------------------------------------------------------------------------------------------------------------------------------------------------------------------------------------------------------------------------------------------------------------------------------------------------------------------------------------------------------------------------------------------------------------------------------------------------------------------------------------------------------------------------------------------------------------------------------------------------------------------------------------------------------------------------------------------------------------------------------------------------------------------------------------------------------------------------------------------------------------------------------------------------------------------------------------------------------------------------------------------------------------------------------------------------------------------------------------------------------------------------------------------------------------------------------------------------------------------------------------------------------------------------------------------------------------------------------------------------------------------------------------

Alarm	<p>DS-2CD2126G2-I(SU):-S: 1 alarm input, 1 alarm output (max. 12 VDC, 30 mA)</p> <p>DS-2CD2126G2-ISU(2.8mm)(C)(海外中性),DS-2CD2126G2-ISU(4mm)(C)(海外标配),DS-2CD2126G2-ISU(2.8mm)(C)(海外标配),DS-2CD2126G2-ISU(4mm)(C)(海外中性),DS-2CD2126G2-I(2.8mm)(C)(海外标配),DS-2CD2126G2-I(4mm)(C)(海外标配),DS-2CD2126G2-I(2.8mm)(C)(海外中性),DS-2CD2126G2-I(4mm)(C)(海外中性),DS-2CD2126G2-ISU(2.8mm)(海外标配),DS-2CD2126G2-ISU(6mm)(海外标配),DS-2CD2126G2-ISU(4mm)(海外中性),DS-2CD2126G2-ISU(4mm)(海外标配),DS-2CD2126G2-ISU(6mm)(海外中性),DS-2CD2126G2-ISU(2.8mm)(海外中性),DS-2CD2126G2-IS(2.8mm)(海外标配),DS-2CD2126G2-IS(6mm)(海外标配),DS-2CD2126G2-IS(4mm)(海外中性),DS-2CD2126G2-IS(4mm)(海外标配),DS-2CD2126G2-IS(6mm)(海外中性),DS-2CD2126G2-IS(2.8mm)(海外中性),DS-2CD2126G2-I(2.8mm)(海外标配),DS-2CD2126G2-I(6mm)(海外标配),DS-2CD2126G2-I(4mm)(海外中性),DS-2CD2126G2-I(4mm)(海外标配),DS-2CD2126G2-I(6mm)(海外中性),DS-2CD2126G2-I(2.8mm)(海外中性):-S: 1 alarm input, 1 alarm output (max. 12 VDC, 30 mA)</p> <p>DS-2CD2126G2-I(2.8mm)(D)(海外标配),DS-2CD2126G2-I(2.8mm)(D)(海外中性),DS-2CD2126G2-I(4mm)(D)(海外标配),DS-2CD2126G2-I(4mm)(D)(海外中性):NA</p> <p>DS-2CD2126G2-ISU(2.8mm)(D)(海外标配),DS-2CD2126G2-ISU(2.8mm)(D)(海外中性),DS-2CD2126G2-ISU(4mm)(D)(海外标配),DS-2CD2126G2-ISU(4mm)(D)(海外中性):1 alarm input, 1 alarm output (max. 12 VDC, 30 mA)</p>
Reset Key	Yes
Event	
Basic Event	Motion detection (support alarm triggering by specified target types (human and vehicle)),video tampering alarm,exception
Smart Event	Scene change detection

Linkage	<p>DS-2CD2126G2-I(SU):Upload to FTP/NAS/memory card, notify surveillance center, send email, trigger recording, trigger capture, trigger alarm output (-SU), audible warning (-SU)</p> <p>DS-2CD2126G2-I(2.8mm)(D)(海外标配),DS-2CD2126G2-I(2.8mm)(D)(海外中性),DS-2CD2126G2-I(4mm)(D)(海外标配),DS-2CD2126G2-I(4mm)(D)(海外中性):Upload to FTP/NAS/memory card, notify surveillance center, send email, trigger recording, trigger capture</p> <p>DS-2CD2126G2-ISU(2.8mm)(C)(海外中性),DS-2CD2126G2-ISU(4mm)(C)(海外标配),DS-2CD2126G2-ISU(2.8mm)(C)(海外标配),DS-2CD2126G2-ISU(4mm)(C)(海外中性),DS-2CD2126G2-I(2.8mm)(C)(海外标配),DS-2CD2126G2-I(4mm)(C)(海外标配),DS-2CD2126G2-I(2.8mm)(C)(海外中性),DS-2CD2126G2-I(4mm)(C)(海外中性),DS-2CD2126G2-ISU(2.8mm)(海外标配),DS-2CD2126G2-ISU(6mm)(海外标配),DS-2CD2126G2-ISU(4mm)(海外中性),DS-2CD2126G2-ISU(4mm)(海外标配),DS-2CD2126G2-ISU(6mm)(海外中性),DS-2CD2126G2-ISU(2.8mm)(海外中性),DS-2CD2126G2-IS(2.8mm)(海外标配),DS-2CD2126G2-IS(6mm)(海外标配),DS-2CD2126G2-IS(4mm)(海外中性),DS-2CD2126G2-IS(4mm)(海外标配),DS-2CD2126G2-IS(6mm)(海外中性),DS-2CD2126G2-IS(2.8mm)(海外中性),DS-2CD2126G2-I(2.8mm)(海外标配),DS-2CD2126G2-I(6mm)(海外标配),DS-2CD2126G2-I(4mm)(海外中性),DS-2CD2126G2-I(4mm)(海外标配),DS-2CD2126G2-I(6mm)(海外中性),DS-2CD2126G2-I(2.8mm)(海外中性):Upload to FTP/NAS/memory card, notify surveillance center, send email, trigger recording, trigger capture, trigger alarm output (-SU), audible warning (-SU)</p> <p>DS-2CD2126G2-ISU(2.8mm)(D)(海外标配),DS-2CD2126G2-ISU(2.8mm)(D)(海外中性),DS-2CD2126G2-ISU(4mm)(D)(海外标配),DS-2CD2126G2-ISU(4mm)(D)(海外中性):Upload to FTP/NAS/memory card, notify surveillance center, send email, trigger recording, trigger capture, trigger alarm output, audible warning</p>
Deep Learning Function	
Perimeter Protection	Line crossing, intrusion, region entrance, region exiting Support alarm triggering by specified target types (human and vehicle)
Face Capture	Yes
General	
Power	12 VDC ± 25%, 0.5 A, max. 6 W, Ø5.5 mm coaxial power plug, reverse polarity protection, PoE: IEEE 802.3af, Class 3, max. 7.5 W

<p>Material</p>	<p>DS-2CD2126G2-I(SU):Metal DS-2CD2126G2-ISU(2.8mm)(C)(海外中性),DS-2CD2126G2-ISU(4mm)(C)(海外标配),DS-2CD2126G2-ISU(2.8mm)(C)(海外标配),DS-2CD2126G2-ISU(4mm)(C)(海外中性),DS-2CD2126G2-I(2.8mm)(C)(海外标配),DS-2CD2126G2-I(4mm)(C)(海外标配),DS-2CD2126G2-I(2.8mm)(C)(海外中性),DS-2CD2126G2-I(4mm)(C)(海外中性),DS-2CD2126G2-I(2.8mm)(D)(海外标配),DS-2CD2126G2-I(2.8mm)(D)(海外中性),DS-2CD2126G2-I(4mm)(D)(海外标配),DS-2CD2126G2-I(4mm)(D)(海外中性),DS-2CD2126G2-ISU(2.8mm)(D)(海外标配),DS-2CD2126G2-ISU(2.8mm)(D)(海外中性),DS-2CD2126G2-ISU(4mm)(D)(海外标配),DS-2CD2126G2-ISU(4mm)(D)(海外中性):Metal DS-2CD2126G2-ISU(2.8mm)(海外标配),DS-2CD2126G2-ISU(6mm)(海外标配),DS-2CD2126G2-ISU(4mm)(海外中性),DS-2CD2126G2-ISU(4mm)(海外标配),DS-2CD2126G2-ISU(6mm)(海外中性),DS-2CD2126G2-ISU(2.8mm)(海外中性),DS-2CD2126G2-IS(2.8mm)(海外标配),DS-2CD2126G2-IS(6mm)(海外标配),DS-2CD2126G2-IS(4mm)(海外中性),DS-2CD2126G2-IS(4mm)(海外标配),DS-2CD2126G2-IS(6mm)(海外中性),DS-2CD2126G2-IS(2.8mm)(海外中性),DS-2CD2126G2-I(2.8mm)(海外标配),DS-2CD2126G2-I(6mm)(海外标配),DS-2CD2126G2-I(4mm)(海外中性),DS-2CD2126G2-I(4mm)(海外标配),DS-2CD2126G2-I(6mm)(海外中性),DS-2CD2126G2-I(2.8mm)(海外中性):-I: base: metal, cover: metal -ISU: body: aluminum alloy, bubble: plastic</p>
-----------------	-------------------------------------------------------------------------------------------------------------------------------------------------------------------------------------------------------------------------------------------------------------------------------------------------------------------------------------------------------------------------------------------------------------------------------------------------------------------------------------------------------------------------------------------------------------------------------------------------------------------------------------------------------------------------------------------------------------------------------------------------------------------------------------------------------------------------------------------------------------------------------------------------------------------------------------------------------------------------------------------------------------------------------------------------------------------------------------------------------------------------------------------------------------

<p>Dimension</p>	<p>DS-2CD2126G2-I(SU): -I: $\varnothing 110.8 \times 84.7$ mm ($\varnothing 4.4'' \times 3.3''$) -ISU: $\varnothing 121.4 \times 92.2$ mm ($\varnothing 4.8'' \times 3.6''$) DS-2CD2126G2-I(2.8mm)(D)(海外标配),DS-2CD2126G2-I(2.8mm)(D)(海外中性),DS-2CD2126G2-I(4mm)(D)(海外标配),DS-2CD2126G2-I(4mm)(D)(海外中性):$\varnothing 110.8 \times 84.7$ mm ($\varnothing 4.4'' \times 3.3''$) DS-2CD2126G2-ISU(2.8mm)(海外标配),DS-2CD2126G2-ISU(6mm)(海外标配),DS-2CD2126G2-ISU(4mm)(海外中性),DS-2CD2126G2-ISU(4mm)(海外标配),DS-2CD2126G2-ISU(6mm)(海外中性),DS-2CD2126G2-ISU(2.8mm)(海外中性),DS-2CD2126G2-IS(2.8mm)(海外标配),DS-2CD2126G2-IS(6mm)(海外标配),DS-2CD2126G2-IS(4mm)(海外中性),DS-2CD2126G2-IS(4mm)(海外标配),DS-2CD2126G2-IS(6mm)(海外中性),DS-2CD2126G2-IS(2.8mm)(海外中性): -I: $\varnothing 110.8 \times 84.7$ mm ($\varnothing 4.4'' \times 3.3''$) -ISU: $\varnothing 121.4 \times 92.2$ mm ($\varnothing 4.8'' \times 3.6''$) DS-2CD2126G2-I(2.8mm)(海外标配),DS-2CD2126G2-I(6mm)(海外标配),DS-2CD2126G2-I(4mm)(海外中性),DS-2CD2126G2-I(4mm)(海外标配),DS-2CD2126G2-I(6mm)(海外中性),DS-2CD2126G2-I(2.8mm)(海外中性):-I: $\varnothing 110.8 \times 84.7$ mm ($\varnothing 4.4'' \times 3.3''$) -ISU: $\varnothing 121.4 \times 92.2$ mm ($\varnothing 4.8'' \times 3.6''$) DS-2CD2126G2-ISU(2.8mm)(C)(海外中性),DS-2CD2126G2-ISU(4mm)(C)(海外标配),DS-2CD2126G2-ISU(2.8mm)(C)(海外标配),DS-2CD2126G2-ISU(4mm)(C)(海外中性),DS-2CD2126G2-I(2.8mm)(C)(海外标配),DS-2CD2126G2-I(4mm)(C)(海外标配),DS-2CD2126G2-I(2.8mm)(C)(海外中性),DS-2CD2126G2-I(4mm)(C)(海外中性),DS-2CD2126G2-ISU(2.8mm)(D)(海外标配),DS-2CD2126G2-ISU(2.8mm)(D)(海外中性),DS-2CD2126G2-ISU(4mm)(D)(海外标配),DS-2CD2126G2-ISU(4mm)(D)(海外中性):$\varnothing 121.4 \times 92.2$ mm ($\varnothing 4.8'' \times 3.6''$)</p>
------------------	-------------------------------------------------------------------------------------------------------------------------------------------------------------------------------------------------------------------------------------------------------------------------------------------------------------------------------------------------------------------------------------------------------------------------------------------------------------------------------------------------------------------------------------------------------------------------------------------------------------------------------------------------------------------------------------------------------------------------------------------------------------------------------------------------------------------------------------------------------------------------------------------------------------------------------------------------------------------------------------------------------------------------------------------------------------------------------------------------------------------------------------------------------------------------------------------------------------------------------------------------------------------------------------------------------------------------------------------------------------------------------------------------------------------------------------------------------------------------------------------------------------------------------------------------------------------------------------------------------------------------------------------------------------------------------------------------------------------------------------------------------------------------------------------------------------------------------------------------------------------------------------------------------------------------------------------

<p>Package Dimension</p>	<p>DS-2CD2126G2-I(SU):-I: 134 × 134 × 108 mm (5.3" × 5.3" × 4.3") -ISU: 150 mm × 150 mm × 141 mm (5.9" × 5.9" × 5.6") DS-2CD2126G2-ISU(2.8mm)(C)(海外中性),DS-2CD2126G2-ISU(4mm)(C)(海外标配),DS-2CD2126G2-ISU(2.8mm)(C)(海外标配),DS-2CD2126G2-ISU(4mm)(C)(海外中性),DS-2CD2126G2-I(2.8mm)(C)(海外标配),DS-2CD2126G2-I(4mm)(C)(海外标配),DS-2CD2126G2-I(2.8mm)(C)(海外中性),DS-2CD2126G2-I(4mm)(C)(海外中性),DS-2CD2126G2-ISU(2.8mm)(D)(海外标配),DS-2CD2126G2-ISU(2.8mm)(D)(海外中性),DS-2CD2126G2-ISU(4mm)(D)(海外标配),DS-2CD2126G2-ISU(4mm)(D)(海外中性):150 mm × 150 mm × 141 mm (5.9" × 5.9" × 5.6") DS-2CD2126G2-I(2.8mm)(D)(海外标配),DS-2CD2126G2-I(2.8mm)(D)(海外中性),DS-2CD2126G2-I(4mm)(D)(海外标配),DS-2CD2126G2-I(4mm)(D)(海外中性):134 × 134 × 108 mm (5.3" × 5.3" × 4.3") DS-2CD2126G2-ISU(2.8mm)(海外标配),DS-2CD2126G2-ISU(6mm)(海外标配),DS-2CD2126G2-ISU(4mm)(海外中性),DS-2CD2126G2-ISU(4mm)(海外标配),DS-2CD2126G2-ISU(6mm)(海外中性),DS-2CD2126G2-ISU(2.8mm)(海外中性),DS-2CD2126G2-IS(2.8mm)(海外标配),DS-2CD2126G2-IS(6mm)(海外标配),DS-2CD2126G2-IS(4mm)(海外中性),DS-2CD2126G2-IS(4mm)(海外标配),DS-2CD2126G2-IS(6mm)(海外中性),DS-2CD2126G2-IS(2.8mm)(海外中性),DS-2CD2126G2-I(2.8mm)(海外标配),DS-2CD2126G2-I(6mm)(海外标配),DS-2CD2126G2-I(4mm)(海外中性),DS-2CD2126G2-I(4mm)(海外标配),DS-2CD2126G2-I(6mm)(海外中性),DS-2CD2126G2-I(2.8mm)(海外中性):-I: 134 × 134 × 108 mm (5.3" × 5.3" × 4.3") -ISU: 150 mm × 150 mm × 141 mm (5.9" × 5.9" × 5.6")</p>
<p>Weight</p>	<p>Approx. 550 g (1.2 lb.)</p>
<p>With Package Weight</p>	<p>Approx. 800 g (1.8 lb.)</p>
<p>Storage Conditions</p>	<p>-30 °C to 60 °C (-22 °F to 140 °F). Humidity 95% or less (non-condensing)</p>
<p>Startup and Operating Conditions</p>	<p>-30 °C to 60 °C (-22 °F to 140 °F). Humidity 95% or less (non-condensing)</p>
<p>Language</p>	<p>33 languages English, Russian, Estonian, Bulgarian, Hungarian, Greek, German, Italian, Czech, Slovak, French, Polish, Dutch, Portuguese, Spanish, Romanian, Danish, Swedish, Norwegian, Finnish, Croatian, Slovenian, Serbian, Turkish, Korean, Traditional Chinese, Thai, Vietnamese, Japanese, Latvian, Lithuanian, Portuguese (Brazil), Ukrainian</p>
<p>General Function</p>	<p>Anti-banding, heartbeat, mirror, privacy mask, flash log, password reset via email, pixel counter</p>

Approval

EMC

DS-2CD2126G2-I(SU):FCC: 47 CFR Part 15, Subpart B,
 CE-EMC: EN 55032: 2015, EN 61000-3-2:2019, EN 61000-3-3: 2013+A1:2019, EN 50130-4:2011 +A1: 2014,
 KC: KN32: 2015, KN35: 2015
 DS-2CD2126G2-ISU(2.8mm)(海外标配),DS-2CD2126G2-ISU(6mm)(海外标配),DS-2CD2126G2-ISU(4mm)(海外中性),DS-2CD2126G2-ISU(4mm)(海外标配),DS-2CD2126G2-ISU(6mm)(海外中性),DS-2CD2126G2-ISU(2.8mm)(海外中性),DS-2CD2126G2-IS(2.8mm)(海外标配),DS-2CD2126G2-IS(6mm)(海外标配),DS-2CD2126G2-IS(4mm)(海外中性),DS-2CD2126G2-IS(4mm)(海外标配),DS-2CD2126G2-IS(6mm)(海外中性),DS-2CD2126G2-IS(2.8mm)(海外中性),DS-2CD2126G2-I(2.8mm)(海外标配),DS-2CD2126G2-I(6mm)(海外标配),DS-2CD2126G2-I(4mm)(海外中性),DS-2CD2126G2-I(4mm)(海外标配),DS-2CD2126G2-I(6mm)(海外中性),DS-2CD2126G2-I(2.8mm)(海外中性),DS-2CD2126G2-I(2.8mm)(D)(海外标配),DS-2CD2126G2-I(2.8mm)(D)(海外中性),DS-2CD2126G2-I(4mm)(D)(海外标配),DS-2CD2126G2-I(4mm)(D)(海外中性),DS-2CD2126G2-ISU(2.8mm)(D)(海外标配),DS-2CD2126G2-ISU(2.8mm)(D)(海外中性),DS-2CD2126G2-ISU(4mm)(D)(海外标配),DS-2CD2126G2-ISU(4mm)(D)(海外中性):FCC: 47 CFR Part 15, Subpart B,
 CE-EMC: EN 55032: 2015, EN 61000-3-2:2019, EN 61000-3-3: 2013+A1:2019, EN 50130-4:2011 +A1: 2014,
 KC: KN32: 2015, KN35: 2015
 DS-2CD2126G2-ISU(2.8mm)(C)(海外中性),DS-2CD2126G2-ISU(4mm)(C)(海外标配),DS-2CD2126G2-ISU(2.8mm)(C)(海外标配),DS-2CD2126G2-ISU(4mm)(C)(海外中性),DS-2CD2126G2-I(2.8mm)(C)(海外标配),DS-2CD2126G2-I(4mm)(C)(海外标配),DS-2CD2126G2-I(2.8mm)(C)(海外中性),DS-2CD2126G2-I(4mm)(C)(海外中性):FCC (47 CFR Part 15, Subpart B); CE-EMC (EN 55032: 2015, EN 61000-3-2: 2014, EN 61000-3-3: 2013, EN 50130-4: 2011 +A1: 2014); RCM (AS/NZS CISPR 32: 2015); KC (KN 32: 2015, KN 35: 2015)

Safety	<p>DS-2CD2126G2-I(SU):UL: UL 62368-1, CB: IEC 62368-1:2014+A11, CE-LVD: EN 62368-1:2014/A11: 2017, LOA: IEC/EN 60950-1</p> <p>DS-2CD2126G2-ISU(2.8mm)(海外标配),DS-2CD2126G2-ISU(6mm)(海外标配),DS-2CD2126G2-ISU(4mm)(海外中性),DS-2CD2126G2-ISU(4mm)(海外标配),DS-2CD2126G2-ISU(6mm)(海外中性),DS-2CD2126G2-ISU(2.8mm)(海外中性),DS-2CD2126G2-IS(2.8mm)(海外标配),DS-2CD2126G2-IS(6mm)(海外标配),DS-2CD2126G2-IS(4mm)(海外中性),DS-2CD2126G2-IS(4mm)(海外标配),DS-2CD2126G2-IS(6mm)(海外中性),DS-2CD2126G2-IS(2.8mm)(海外中性),DS-2CD2126G2-I(2.8mm)(海外标配),DS-2CD2126G2-I(6mm)(海外标配),DS-2CD2126G2-I(4mm)(海外中性),DS-2CD2126G2-I(4mm)(海外标配),DS-2CD2126G2-I(6mm)(海外中性),DS-2CD2126G2-I(2.8mm)(海外中性),DS-2CD2126G2-I(2.8mm)(D)(海外标配),DS-2CD2126G2-I(2.8mm)(D)(海外中性),DS-2CD2126G2-I(4mm)(D)(海外标配),DS-2CD2126G2-I(4mm)(D)(海外中性),DS-2CD2126G2-ISU(2.8mm)(D)(海外标配),DS-2CD2126G2-ISU(2.8mm)(D)(海外中性),DS-2CD2126G2-ISU(4mm)(D)(海外标配),DS-2CD2126G2-ISU(4mm)(D)(海外中性):UL: UL 62368-1, CB: IEC 62368-1:2014+A11, CE-LVD: EN 62368-1:2014/A11: 2017, LOA: IEC/EN 60950-1</p> <p>DS-2CD2126G2-ISU(2.8mm)(C)(海外中性),DS-2CD2126G2-ISU(4mm)(C)(海外标配),DS-2CD2126G2-ISU(2.8mm)(C)(海外标配),DS-2CD2126G2-ISU(4mm)(C)(海外中性),DS-2CD2126G2-I(2.8mm)(C)(海外标配),DS-2CD2126G2-I(4mm)(C)(海外标配),DS-2CD2126G2-I(2.8mm)(C)(海外中性),DS-2CD2126G2-I(4mm)(C)(海外中性):UL (UL 60950-1); CB (IEC 60950-1:2005 + Am 1:2009 + Am 2:2013); CE-LVD (EN 60950-1:2005 + Am 1:2009 + Am 2:2013); LOA (IEC/EN 60950-1)</p>
Environment	<p>CE-RoHS: 2011/65/EU, WEEE: 2012/19/EU, Reach: Regulation (EC) No 1907/2006</p>
Protection	<p>IP67: IEC 60529-2013,IK10: IEC 62262:2002</p>

▪ Typical Application

Hikvision products are classified into three levels according to their anti-corrosion performance. Refer to the following description to choose for your using environment.

This model has NO SPECIFIC PROTECTION.

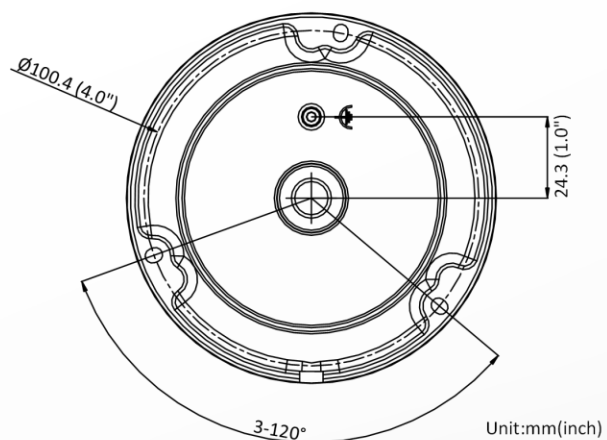
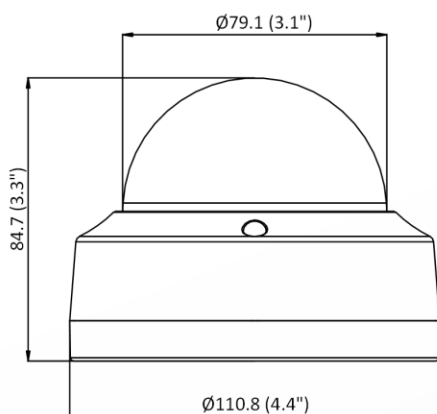
Level	Description
Top-level protection	Hikvision products at this level are equipped for use in areas where professional anti-corrosion protection is a

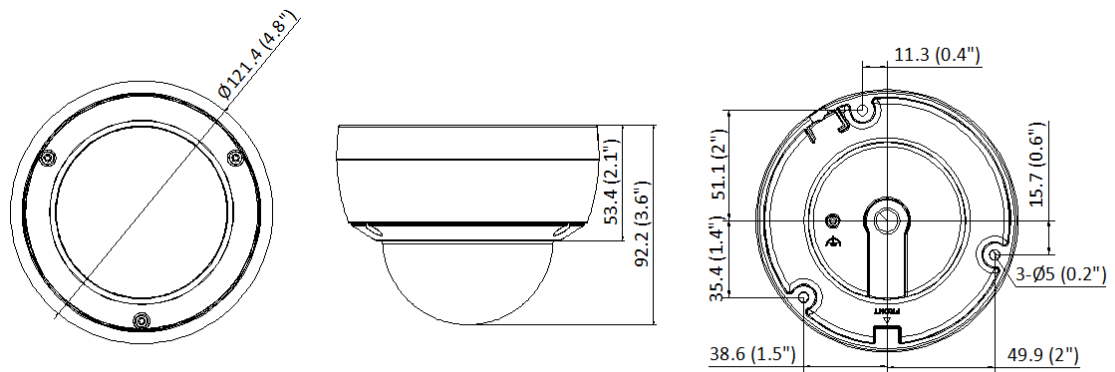
	must. Typical application scenarios include coastlines, docks, chemical plants, and more.
Moderate protection	Hikvision products at this level are equipped for use in areas with moderate anti-corrosion demands. Typical application scenarios include coastal areas about 2 kilometers (1.24 miles) away from coastlines, as well as areas affected by acid rain.
No specific protection	Hikvision products at this level are equipped for use in areas where no specific anti-corrosion protection is needed.

▪ Available Model

- DS-2CD2126G2-ISU(2.8mm)(C)
- DS-2CD2126G2-ISU(4mm)(C)
- DS-2CD2126G2-I(2.8mm)(C)
- DS-2CD2126G2-I(4mm)(C)
- DS-2CD2126G2-ISU(2.8mm)
- DS-2CD2126G2-ISU(6mm)
- DS-2CD2126G2-ISU(4mm)
- DS-2CD2126G2-IS(2.8mm)
- DS-2CD2126G2-IS(6mm)
- DS-2CD2126G2-IS(4mm)
- DS-2CD2126G2-I(2.8mm)
- DS-2CD2126G2-I(6mm)
- DS-2CD2126G2-I(4mm)
- DS-2CD2126G2-I(2.8mm)(D)
- DS-2CD2126G2-I(4mm)(D)
- DS-2CD2126G2-ISU(2.8mm)(D)
- DS-2CD2126G2-ISU(4mm)(D)

▪ Dimension





Unit:mm (inch)


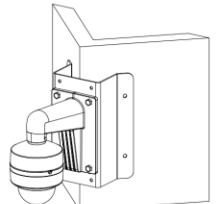


▪ **Accessory**

▪ **Optional**

DS-1275ZJ-SUS	DS-1272ZJ-120B	DS-1276ZJ-SUS	DS-220AZJ-130-WA	DS-1275ZJ-S-SUS
DS-1272ZJ-120	DS-1280ZJ-DM46	DS-220AZJ-145-WA	DS-1271ZJ-120	

▪ **Installation Methods**

Vertical Pole Mounting DS-1275ZJ-SUS+DS-1272ZJ-120+DS-1253ZJ-M	Vertical Pole Mounting DS-1275ZJ-S-SUS+DS-220AZJ-130-WA	Wall Mounting DS-1272ZJ-120B+DS-1253ZJ-M	Wall Mounting DS-220AZJ-130-WA	Wall Mounting DS-1272ZJ-120+DS-1253ZJ-M

Wall Mounting DS-220AZJ-145-WA	Corner Mounting DS-1276ZJ-SUS+DS-1272ZJ-120	Junction Box DS-1280ZJ-DM46	Pendant Mounting DS-1271ZJ-120
			

See Far, Go Further



www.hikvision.com
support@hikvision.com

