

DS-2CD3746G2HT-LIZSUY**4 MP Smart hybrid light with Darkfighter S Motorized Varifocal Dome Network Camera**

Hikvision has been dedicated to develop products with security since established.

Hikvision always follows security by design principle and has adopted many methods of security technologies into our product development lifecycle, including terminal security, data security, application security, network security, and privacy protection.

In the meantime, the security technologies used by Hikvision are all in compliance with local applicable laws and safety regulations. These security measures could enhance product's cyber security protection capability and protect your devices as well as your data from malicious cyber attacks.

- Supports Hikvision Embedded Open Platform (HEOP) and importing third party applications
- Supports 1.5 Tops computing power, 60 MB system memory, 400 MB smart RAM, and 2 GB eMMC storage for sharing resources
- Motorized varifocal lens for easy installation and monitoring
- Smart Dual-Light: advanced technology with long range
- Clear imaging against strong backlight due to 130 dB WDR technology
- Motorized varifocal lens for easy installation and monitoring
- Efficient H.265+ compression technology
- High quality imaging with 4 MP resolution
- Water and dust resistant (IP67) and vandal resistant (IK10)

▪ Specification

Model		DS-2CD3746G2HT-LIZSUY(2.7-13.5)/eF/海外标配	DS-2CD3746G2HT-LIZSUY(2.7-13.5mm)(海外中性)	DS-2CD3746G2HT-LIZSUY(2.7-13.5mm)(海外标配)
Camera	Image Sensor	1/1.8" Progressive Scan CMOS		
	Max. Resolution	2688 × 1520		
	Min. Illumination	Color: 0.001 Lux @ (F1.2, AGC ON), 0 Lux with light		
	Shutter Time	1/3 s to 1/100,000 s		
	Day & Night	IR cut filter		
	Angle Adjustment	Pan: 0° to 355°, tilt: 0° to 75°, rotate: 0° to 355°		
Lens	Lens Type	Varifocal lens, motorized lens, 2.7 to 13.5 mm		
	Focal Length & FOV	2.7 to 13.5 mm, horizontal FOV 114.6° to 41.8°, vertical FOV 59.3° to 23.6°, diagonal FOV 141.3° to 48.1°		
	Lens Mount	Integrated		
	Focus	Auto, Semi-auto, Manual		
	Iris Type	DC iris		
	Aperture	Max. F1.2		
	Depth of Field	1 m to ∞		
DORI	DORI	Wide: D: 60.0m, O: 23.8 m, R: 12.0 m, I: 6.0 m Tele: D: 149 m, O: 59.1 m, R: 29.8 m, I: 14.9 m		
Illuminator	Supplement Light Type	IR, White Light		
	Supplement Light Range	Up to 40 m		
	Smart Supplement Light	Yes		
	IR Wavelength	850 nm		
HEOP	Open Resources	Memory: 60 MB, Smart RAM: 400 MB, eMMC: 2 GB		
	Computing Power	1.5 TOPS		

	Open Capability	HEOP 2.0 OpendevSDK
	Deep Learning Structure	Caffe, PyTorch, TensorFlow, PaddlePaddle, ONNX
	Programming Language	C,C++
Video	Main Stream	50 Hz: 25 fps (2688 × 1520, 1920 × 1080, 1280 × 720) 60 Hz: 30 fps (2688 × 1520, 1920 × 1080, 1280 × 720)
	Sub-Stream	50 Hz: 25 fps (1280 × 720, 640 × 480, 640 × 360) 60 Hz: 30 fps (1280 × 720, 640 × 480, 640 × 360)
	Third Stream	50 Hz: 10 fps (1920 × 1080, 1280 × 720, 640 × 480, 640 × 360) 60 Hz: 10 fps (1920 × 1080, 1280 × 720, 640 × 480, 640 × 360) *Third stream is supported under certain settings.
	Fourth Stream	50 Hz: 10 fps (1280 × 720, 640 × 480, 640 × 360) 60 Hz: 10 fps (1280 × 720, 640 × 480, 640 × 360) *Fourth stream is supported under certain settings.
	Video Compression	Main stream: H.265/H.264/H.264+/H.265+, Sub-stream: H.265/H.264/MJPEG, Third stream: H.265/H.264, Fourth stream: H.265/H.264/MJPEG, *Third stream and fourth stream are supported under certain settings.
	Video Bit Rate	32 Kbps to 8 Mbps
	H.264 Type	Baseline Profile, Main Profile, High Profile
	H.265 Type	Main Profile
	Bit Rate Control	CBR, VBR
	Scalable Video Coding (SVC)	H.264 and H.265 encoding
	Region of Interest (ROI)	5 fixed regions for main stream and sub-stream
	Target Cropping	Yes
	Audio	Audio Compression
Audio Bit Rate		64 Kbps (G.711ulaw/G.711alaw)/16 Kbps (G.722.1)/16 Kbps (G.726)/32 to 192 Kbps (MP2L2)/8 to 320 Kbps (MP3)/16 to 64 Kbps (AAC-LC)

	Audio Sampling Rate	8 kHz/16 kHz/32 kHz/44.1 kHz/48 kHz
	Environment Noise Filtering	Yes
Network	Protocols	TCP/IP, ICMP, HTTP, HTTPS, FTP, DHCP, DNS, DDNS, RTP, RTSP, NTP, UPnP, SMTP, IGMP, 802.1X, QoS, IPv4, IPv6, UDP, Bonjour, SSL/TLS, PPPoE, SFTP, ARP, SNMP, WebSocket, WebSockets, SRTP
	Simultaneous Live View	Up to 6 channels
	API	Open Network Video Interface (Profile S, Profile G, Profile T), ISAPI, SDK, ISUP
	User/Host	Up to 32 users 3 user levels: administrator, operator, and user
	Security	Password protection, complicated password, HTTPS encryption, 802.1X authentication (EAP-TLS, EAP-LEAP, EAP-MD5), watermark, IP address filter, basic and digest authentication for HTTP/HTTPS, WSSE and digest authentication for Open Network Video Interface, RTP/RTSP over HTTPS, control timeout settings, security audit log, TLS 1.1/1.2/1.3, host authentication (MAC address)
	Network Storage	NAS (NFS, SMB/CIFS), Auto Network Replenishment (ANR), Together with high-end Hikvision memory card, memory card encryption and health detection are supported.
	Client	iVMS-4200, Hik-Connect, Hik-Central
	Web Browser	Plug-in required live view: IE 10, IE 11, Plug-in free live view: Chrome 57.0+, Firefox 52.0+, Edge 89+, Local service: Chrome 57.0+, Firefox 52.0+, Edge 89+
Image	Image Parameters Switch	Yes
	Image Settings	Rotate mode, saturation, brightness, contrast, sharpness, gain, white balance, adjustable by client software or web browser
	Day/Night Switch	Day, Night, Auto, Schedule
	Wide Dynamic Range (WDR)	130 dB
	Image Enhancement	BLC, HLC, 3D DNR, Defog
	SNR	≥ 52 dB
	Privacy Mask	4 rectangular privacy masks

Interface	Ethernet Interface	1 RJ45 10 M/100 M self-adaptive Ethernet port
	On-Board Storage	Built-in memory card slot, support microSD/microSDHC/microSDXC card, up to 512 GB
	Built-in Microphone	-U: Yes, 2 built-in microphones
	Audio	1 input (line in), two-core terminal block, max. input amplitude: 3.3 Vpp, input impedance: 4.7 K Ω , interface type: non-equilibrium, 1 output (line out), two-core terminal block, max. output amplitude: 3.3 Vpp, output impedance: 100 Ω , interface type: non-equilibrium
	Alarm	2 inputs, 2 outputs (max. 24 VDC/24 VAC, 1 A)
	Reset Key	Yes
	Power Output	12 VDC, max. 100 mA
Event	Basic Event	Motion detection (support alarm triggering by specified target types (human and vehicle)), video tampering alarm, exception
	Smart Event	Unattended baggage detection, object removal detection, scene change detection, audio exception detection, defocus detection
	Linkage	Upload to FTP/NAS/memory card, notify surveillance center, send email, trigger recording, trigger capture, trigger alarm output, audible warning
Deep Learning Function	Face Capture	Yes
	People Counting	Yes
	Perimeter Protection	Line crossing detection, intrusion detection, region entrance detection, region exiting detection, Support alarm triggered by specified target types (human and vehicle)
General	Power	12 VDC \pm 25%, 1.0 A, max. 12 W, \varnothing 5.5 mm coaxial power plug, reverse polarity protection, PoE: IEEE 802.3at, Class 4, max. 14 W
	Material	Metal
	Dimension	\varnothing 141 mm \times 112 mm (\varnothing 5.6" \times 4.4")
	Package Dimension	244 mm \times 174 mm \times 173 mm (9.6" \times 6.9" \times 6.8")
	Weight	Approx. 820 g (1.8 lb.)

	With Package Weight	Approx. 1200 g (2.6 lb.)
	General Function	Heartbeat,anti-banding,mirror,flash log,password reset via email,pixel counter
	Storage Conditions	-30 °C to 60 °C (-22 °F to 140 °F). Humidity 95% or less (non-condensing)
	Startup and Operating Conditions	-30 °C to 60 °C (-22 °F to 140 °F). Humidity 95% or less (non-condensing)
	Language	33 languages: English, Russian, Estonian, Bulgarian, Hungarian, Greek, German, Italian, Czech, Slovak, French, Polish, Dutch, Portuguese, Spanish, Romanian, Danish, Swedish, Norwegian, Finnish, Croatian, Slovenian, Serbian, Turkish, Korean, Traditional Chinese, Thai, Vietnamese, Japanese, Latvian, Lithuanian, Portuguese (Brazil), Ukrainian
Approval	EMC	CE-EMC: EN 55032: 2015, EN 61000-3-2:2019, EN 61000-3-3: 2013+A1:2019, EN 50130-4:2011 +A1: 2014, RCM: AS/NZS CISPR 32: 2015, IC: ICES-003: Issue 7
	Safety	UL: UL 62368-1, CB: IEC 62368-1:2014+A11, CE-LVD: EN 62368-1:2014/A11: 2017
	Environment	CE-RoHS: 2011/65/EU, WEEE: 2012/19/EU
	Protection	IP67: IEC 60529-2013,IK10: IEC 62262:2002

▪ Typical Application

Hikvision products are classified into three levels according to their anti-corrosion performance. Refer to the following description to choose for your using environment.

This model has NO SPECIFIC PROTECTION.

Level	Description
Top-level protection	Hikvision products at this level are equipped for use in areas where professional anti-corrosion protection is a must. Typical application scenarios include coastlines, docks, chemical plants, and more.
Moderate protection	Hikvision products at this level are equipped for use in areas with moderate anti-corrosion demands. Typical application scenarios include coastal areas about 2 kilometers (1.24 miles) away from coastlines, as well as areas affected by acid rain.

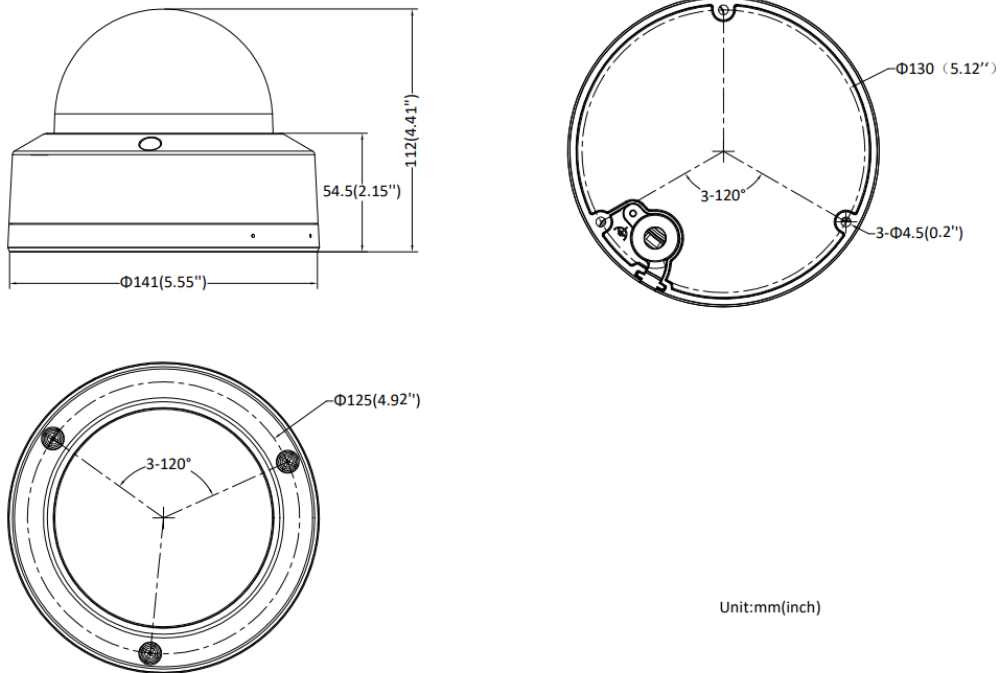
No specific protection	Hikvision products at this level are equipped for use in areas where no specific anti-corrosion protection is needed.
------------------------	---

▪ **Available Model**

DS-2CD3746G2HT-LIZSUY(2.7-13.5mm)





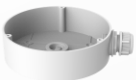
DS-2CD3746G2HT-LIZSUY(2.7-13.5)/eF


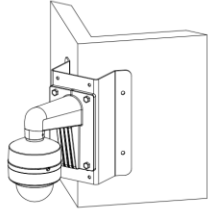

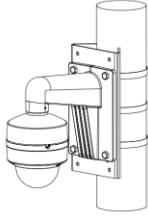
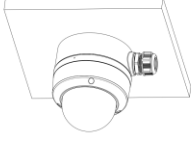



▪ **Dimension**



▪ **Accessory**

▪ **Optional**

DS-1273ZJ-140-DM 45-Y Wall mount	DS-1276ZJ-SUS Corner mount	DS-1271ZJ-140-DM 45-Y Pendant Mount	DS-1275ZJ-SUS Vertical pole mount	DS-1280ZJ-DM45-Y #EU DS-1280ZJ-DM45-Y
				

				
<p>DS-220AZJ-145-WA Y Wall mount</p>	<p>DS-1275ZJ-S-SUS Vertical pole mount</p>			
<p>无法显示链接的图像。 该文件可能已被移动、重命名或删除。请验证该链接是否指向正确的文件和位...</p>				
				

See Far, Go Further



www.hikvision.com
support@hikvision.com

