

DS-UAC-M1P(B) 32 mic array microphone

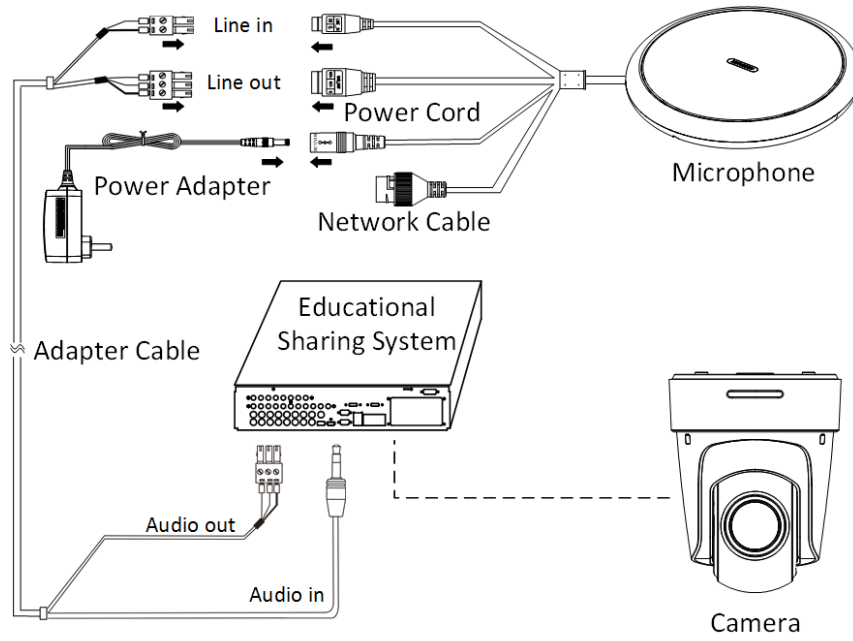


- Adopts multi-mic array, picking up sounds in the radius up to 10 meters
- The built-in digital circuit is embedded with DSP processing unit and AGC technology to realize clear sound with high fidelity
- With multi-mic array design and self-adaptive beamforming technology, the microphone reduces reverberation effectively
- Supports accessing echo reference signal via line in interface, and with AEC algorithm, the microphone suppresses echo and squeal effectively
- Supports smart noise reduction, avoiding environmental noise
- The indicator is convenient for troubleshooting
- Supports network settings and transmitting the audio stream to network camera and DVR/NVR
- Supports 32 kHz/48 kHz audio sampling rate for HD sound
- Power over ethernet, convenient for installation

▪ Specification

Microphone	
Amount	32
Frequency Response	20 Hz to 16 kHz
Sensitivity	-36 dB±1 dBFS
SNR	90 dB
Dynamic Range	105 dB
Acoustic Overload Point (AOP)	120 dB SPL
Total Harmonic Distortion (THD)	≤3%
Impedance	600 Ω, balanced output
Function	
Echo Cancellation	Support
Functions	
Device Management	Power-off detection, program exception detection
Transmitter	
Direction	Omnidirectional
Audio	
Audio Sampling Rate	16 kHz, 32 kHz , 48kHz
Pickup Distance	In the radius up to 10 m
Max. Transmission Distance	≥3000 m
Interface	
Indicator	Solid white: normally working Solid red: abnormal No light: no power supply
Device Interface	Line out, Line in, DC power input, RJ45 network cable
General	
Power	9 VDC~30 VDC, PoE, 2.4 W Max
Material	Plastic
Dimension	Ø250 mm × 34.5 mm (Ø9.84" × 1.36")
Weight	Approx. 740 g (1.63 lb.)
Operating Condition	-10 °C ~ 50 °C (14°F~122°F, Indoor)
Packing List	Microphone × 1 Extension Cable × 1 Quick Start Guide × 1 Installation Plate × 1
Approval	
Protection	lightning protection, power polarity reversal protection, and electrostatic discharge protection

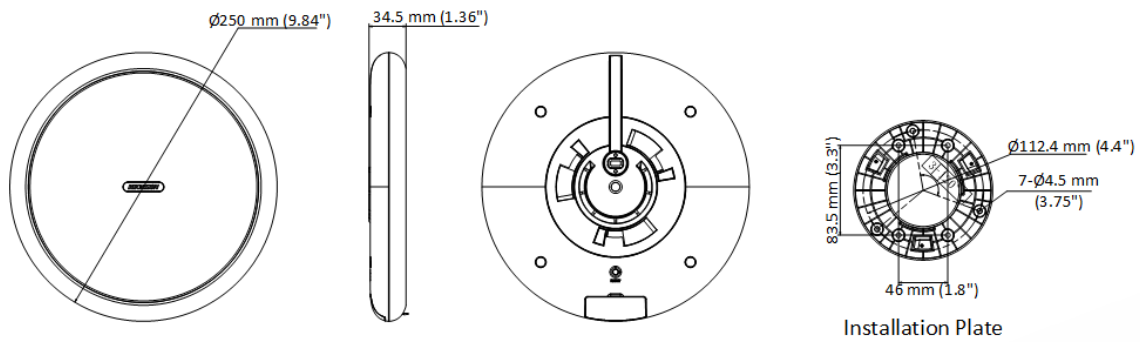
▪ Wiring



▪ **Available Model**

DS-UAC-M1P(B)

▪ **Dimension**



See Far, Go Further



www.hikvision.com
support@hikvision.com

