

DS-D5A75RB/B3 75-inch 4K Interactive Display



The Hikvision Interactive Flat Panel is a newly-developed intelligent teaching assistance product which integrates with the latest technologies of touch control, HD display, video processing, network communication, interactive control, and sound control. It can be widely applied in classrooms, online teaching, training centers, etc.

- UHD 4K display with resolution of 3840 × 2160.
- Anti-glare and anti-blocking design to ensure smooth interaction.
- Dual systems of Android and Windows (optional with 195 × 30 × 180 mm OPS), saving costs and easy to use, video conference software is recommended to run on the Windows system.
- Quick response, up to 50-point touch control, and a smooth writing experience.
- Built-in network switch chip eliminates the need for an external network switch.
- Multi-button front design, convenient for classroom use.
- All-in-one design with tempered glass and intelligent temperature control, making it environmentally friendly and safe.
- Built-in Android 14 system, EDLA certified.

▪ Specification

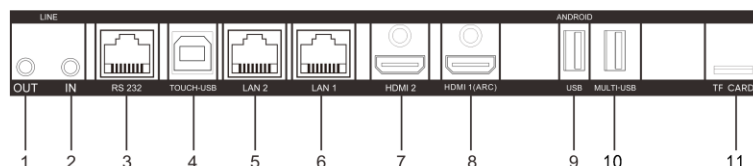
| Product Model | |
|----------------------|---|
| Product Model | DS-D5A75RB/B3 |
| Display | |
| Screen Size | 75 inch |
| Backlight | DLED |
| Pixel Pitch | 0.143 (H) × 0.429 (V) mm |
| Resolution | 3840 × 2160 @60 Hz |
| Brightness | 400 cd/m ² |
| Color Depth | 10 bit (8 bit + FRC) |
| Display Color | 1.07 B |
| Response Time | 5 ms |
| Panel Type | IPS |
| Contrast Ratio | 1200:1 (Static) 15,000:1 (Dynamic) |
| Color Gamut | 72% NTSC (CIE1931) (Typ.) |
| Refresh Rate | 60 Hz |
| Viewing Angle | 178° (H)/178° (V) |
| Aspect Ratio | 16:9 |
| Surface Hardness | 9H (Pencil) 7 (Mohs) |
| Surface Glass | Anti-Glare Glass |
| Surface Haze | 25% Haze |
| Glass Bonding Method | Zero Lamination |
| Display Area | 1650.24 (H) × 928.26 (V) mm |
| Working Duration | 7 × 16 H |
| Transmittance | 88% ± 3 |
| Lifespan | 50,000 hours |
| Touch | |
| Type | Infrared Touch Screen |
| Touch Point | Up to 50-point multi-touch |
| Touch Response Time | ≤ 5 ms |
| Minimum Touch Object | ≥ 1.5 mm (≥ 90% touching area) |
| Touch Precision | ± 0.5 mm (≥ 90% touching area) |
| Touch Resolution | 32768 × 32768 |
| Built-in System | |
| Operation System | Android 14.0 |
| Memory | 8 GB |
| Built-in Storage | 128 GB |
| Processor | Quad-core Cortex-A72 × 4 (2.2 GHz) and quad-core Cortex-A53 × 4 (1.8 GHz) |
| GPU | Mali-G52 MC3 |
| HDCP Version | 2.3 & 2.2 & 1.4 |
| Camera | |
| Pixel | Pixel 48 MP for Photos & 8 MP for Video |
| Camera Function | Supports intelligent switching between Android system, OPS, and PC. |

| | |
|-----------------------------|---|
| Field Angle | 93.4° (diagonal), 84.5° (horizontal), 54.1° (vertical) |
| Distortion | ≤ 2.5% |
| Camera Resolution Ratio | Up to 4K |
| Microphone | |
| Specification | Omni-directional 8-array layout |
| Mic Function | Echo reduction and smart noise-cancellation |
| Voice Distance | 12 m |
| Sampling Rate | 48 K |
| Mic Depth | 16 bit |
| Internal Function | |
| Loudspeaker | Built-in 2 × 20 W |
| Bluetooth | Built-in BLE (Bluetooth Low Energy) module supports Bluetooth 5.4 |
| NFC | Supports card reader 13.56 MHz, (ISO 14443A/ ISO 14443B) |
| Light Sensor | Yes |
| Image Processing Technology | Supports 3D digital noise reduction, face detection, automatic white balance, automatic purple edge removal, and automatic defogging; supports shadow correction. |
| Audio Processing Technology | Supports dereverberation, adaptive noise reduction, adaptive non-stationary noise reduction, adaptive echo cancellation, automatic gain control, automatic electrical level control, sound source localization, digital beam forming, and speech detection. |
| Interface | |
| Video & Audio Input | HDMI 2.1 TMDs × 3 (Front × 1; Rear × 2; Supports HDCP 2.3 & 2.2 & 1.4; HDMI 1.4) Supports CEC&ARC protocol) Audio × 1 (Rear) |
| Video & audio output | Audio × 1 (Rear) |
| Control interface | TOUCH-USB 2.0 × 1 (Front × 1) TOUCH-USB 2.0 × 1 (Rear × 1) RS232 × 1 (Rear) |
| Network Interface | LAN (1000 Mbps) × 2 (Rear) Wi-Fi AP & Station, 2.4 G/5 G Wi-Fi 6, IEEE 802.11 a/b/g/n/ac/ax 2 × 2 MIMO (2.4 GHz and 5 GHz) authentication protocols WEP, WPA, WPA2, PSK and 802.1X EAP |
| Data Transmission Interface | USB 3.0 × 2 (Front × 2) USB 2.0 × 2 (Rear × 2) Type-C × 1 (Front × 1 : Supports USB 3.0, 15 W charging functions) TF-Card Slot × 1 (Rear × 1) |
| Power | |
| Power Supply | 100 to 240 VAC, 50/60 Hz |
| Standby Consumption | ≤ 0.5 W |
| Average Consumption | < 189 W |

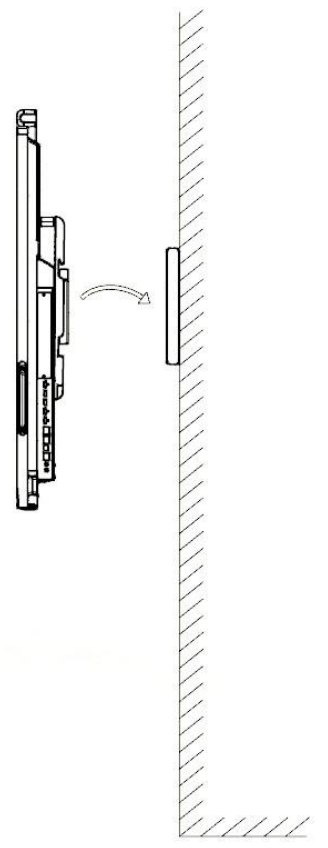
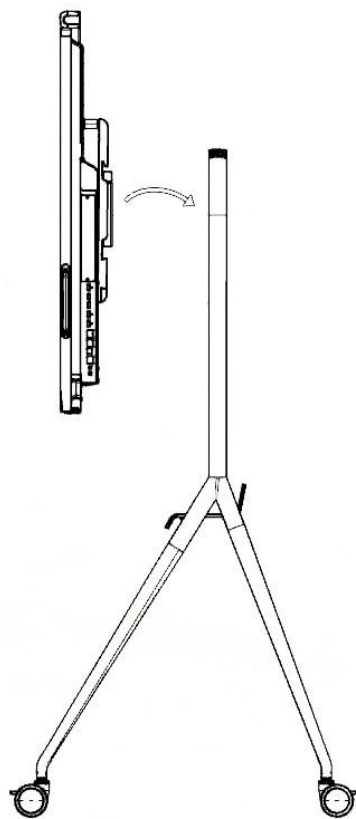
| Working Environment | |
|--|--|
| Working Temperature | 0 °C to 40 °C (32 °F to 104 °F) |
| Working Humidity | 10%~90% RH |
| General | |
| VESA | 600 mm × 400 mm (4 × M8-25 mm) |
| Accessory | Wall mount bracket, hook, user manual, touch writing pen, packing list, power cable, remote control. |
| Package Dimensions (W × H × D) | 1907.0 × 1160.0 × 223.0 mm |
| Net Weight | 41.88 ± 0.5 kg |
| Gross Weight | 54.85 ± 0.5 kg |
| Product Dimensions (With Wall Attachment) | 1709.84 mm × 1034.54 mm × 124.45 mm (W × H × D) |
| Product Dimensions (Without Wall Attachment) | 1709.84 mm × 1034.54 mm × 95.75 mm (W × H × D) |

Physical Interface

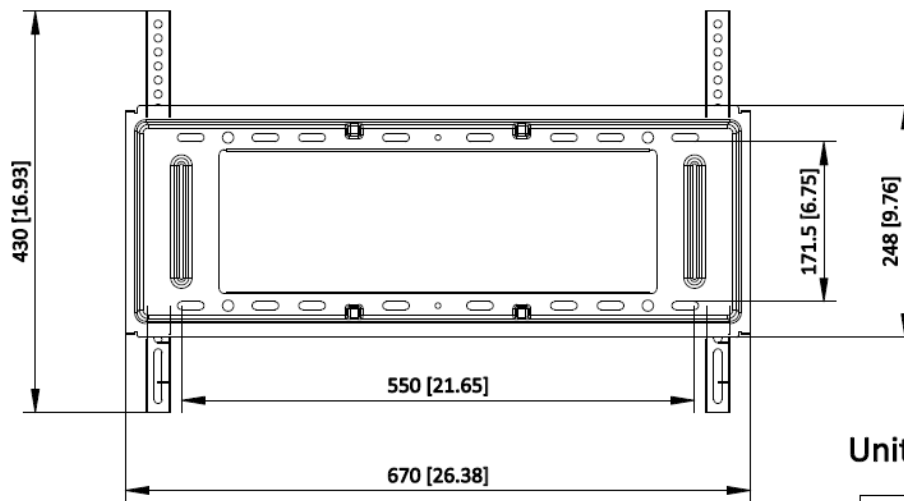
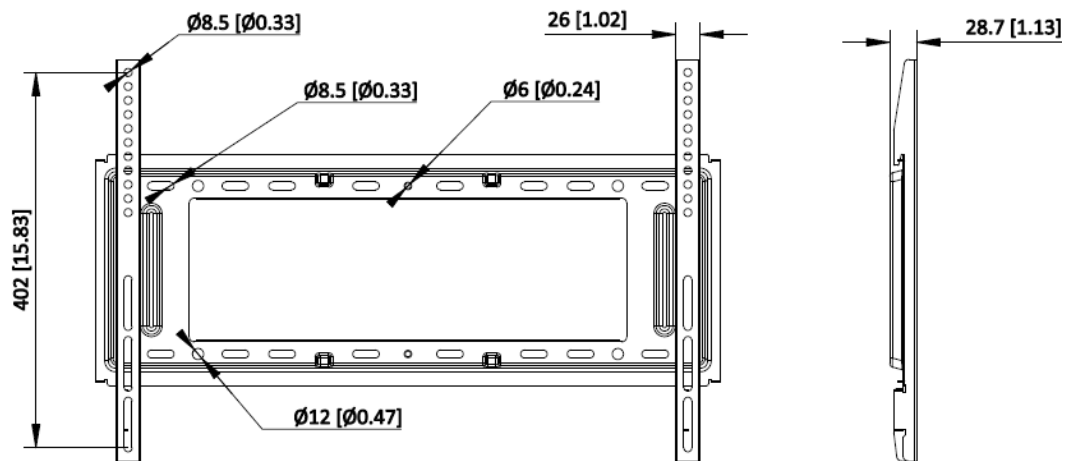
| Interface | Description | Interface | Description |
|-------------|----------------------------|-------------------|------------------------------------|
| 1.Line OUT | Audio output interface | 2.Line IN | Audio input interface |
| 3.RS 232 | RS 232 Control interface | 4.TOUCH-USB | Peripheral touch interface |
| 5. LAN 2 | LAN 2 interface | 6.LAN 1 | LAN 1 interface |
| 7.HDMI IN 2 | HDMI 2 input interface | 8.HDMI IN 1 (ARC) | HDMI 1 input interface |
| 9.USB | USB 2.0 interface | 10.MULTI-USB | Multi-functional USB 3.0 interface |
| 11.TF CARD | TF CARD interface | | |
| A.USB | USB 3.0 interface | B.USB | USB 3.0 interface |
| C.TOUCH-USB | Peripheral touch interface | D.HDMI IN | HDMI input interface |
| E.TYPE-C | Type-C interface | F. | Light sensor |
| G. | Remote-control unit | H. | Power Key |
| J. | Volume - | K. | Volume + |
| L. | Android host menu | M. | Return |
| N. | Control menu | P. | PC shutdown |
| R. | NFC area | | |



Installation



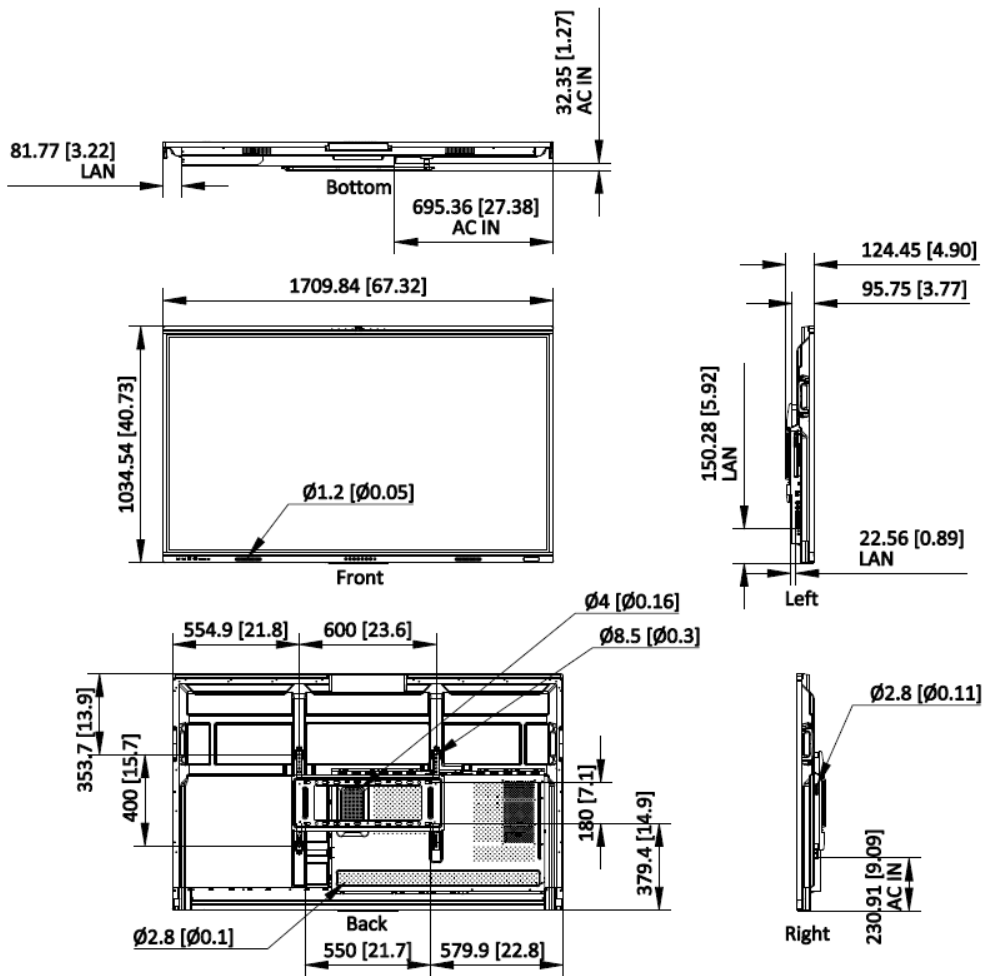
▪ Dimension



Unit: mm [inch]

SCALE 1:1.25

If the equipment is installed embedded in the wall, reserve at least 50mm from each side



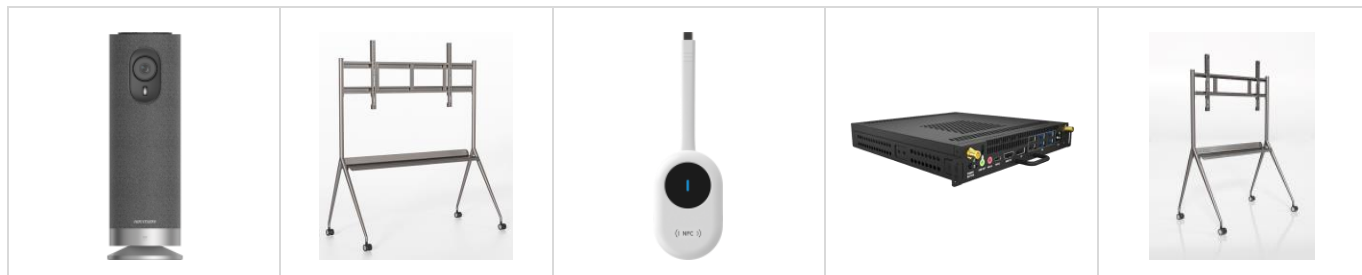
Unit: mm [inch]

SCALE 1:5

▪ Accessory

▪ Optional

| DS-D5AC13T5-8S2 | DS-D5AC13T7-16S5 | iDS-UVC-X28 | DS-D5AC12T5-8S2 | DS-D5SC3B-B |
|---|---|---|--|---|
|  |  |  |  |  |
| DS-UVC-X12 | DS-D5ABKY2-M | DS-D5SC3B-W | DS-D5AC12T7-16S5 | DS-D5ABKY2-S |



See Far, Go Further



www.hikvision.com
support@hikvision.com

