

## DS-D5A75RB/A3 75-inch 4K Interactive Display



The Hikvision Interactive Flat Panel is a newly-developed intelligent teaching assistance product which integrates with the latest technologies of touch control, HD display, video processing, network communication, interactive control, and sound control. It can be widely applied in classrooms, online teaching, training centers, etc.

- UHD 4K display with resolution of 3840 × 2160.
- Anti-glare and anti-blocking design to ensure smooth interaction.
- Dual systems of Android and Windows (optional with 195 × 30 × 180 mm OPS), saving costs and easy to use, video conference software is recommended to run on the Windows system.
- Quick response, up to 50-point touch control, and a smooth writing experience.
- Built-in network switch chip eliminates the need for an external network switch.
- Multi-button front design, convenient for classroom use.
- All-in-one design with tempered glass and intelligent temperature control, making it environmentally friendly and safe.
- Built-in Android 14 system, EDLA certified.

## ▪ Specification

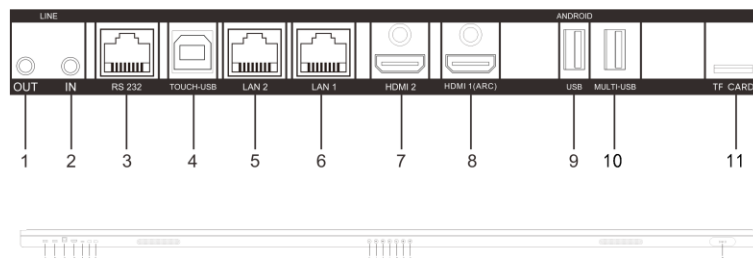
Product Model	
Product Model	DS-D5A75RB/A3
Display	
Screen Size	75 inch
Backlight	DLED
Pixel Pitch	0.143 (H) × 0.429 (V) mm
Resolution	3840 × 2160 @60 Hz
Brightness	400 cd/m <sup>2</sup>
Color Depth	10 bit (8 bit + FRC)
Display Color	1.07 B
Response Time	5 ms
Panel Type	IPS
Contrast Ratio	1200:1 (Static) 15,000:1 (Dynamic)
Color Gamut	72% NTSC (CIE1931) (Typ.)
Refresh Rate	60 Hz
Viewing Angle	178° (H)/178° (V)
Aspect Ratio	16:9
Surface Hardness	9H (Pencil) 7 (Mohs)
Surface Glass	Anti-Glare Glass
Surface Haze	25% Haze
Glass Bonding Method	Zero Lamination
Display Area	1650.24 (H) × 928.26 (V) mm
Working Duration	7 × 16 H
Transmittance	88% ± 3
Lifespan	50,000 hours
Touch	
Type	Infrared Touch Screen
Touch Point	Up to 50-point multi-touch
Touch Response Time	≤ 5 ms
Minimum Touch Object	≥ 1.5 mm (≥ 90% touching area)
Touch Precision	± 0.5 mm (≥ 90% touching area)
Touch Resolution	32768 × 32768
Built-in System	
Operation System	Android 14.0
Memory	8 GB
Built-in Storage	128 GB
Processor	Quad-core Cortex-A72 × 4 ( 2.2 GHz ) and quad-core Cortex-A53 × 4 ( 1.8 GHz )
GPU	Mali-G52 MC3
HDCP Version	2.3 & 2.0 & 1.4
Internal Function	
Loudspeaker	Built-in 2 × 20 W
Bluetooth	Built-in BLE (Bluetooth Low Energy) module supports Bluetooth 5.4

NFC	Supports card reader 13.56 MHz, (ISO 14443A/ ISO 14443B)
Light Sensor	Yes
<b>Interface</b>	
Video & Audio Input	HDMI 2.1 TMDs × 3 ( Front × 1; Rear × 2; Supports HDCP 2.3 & 2.2 & 1.4; HDMI1 Supports CEC&ARC protocol ) Audio × 1 ( Rear )
Video & audio output	Audio × 1 ( Rear )
Control interface	TOUCH-USB 2.0 × 1 ( Front × 1 ) TOUCH-USB 2.0 × 1 ( Rear × 1 ) RS232 × 1 ( Rear )
Network Interface	LAN (1000 Mbps) × 2 ( Rear ) Wi-Fi AP & Station, 2.4 G/5 G Wi-Fi 6, IEEE 802.11 a/b/g/n/ac/ax 2 × 2 MIMO (2.4 GHz and 5 GHz) authentication protocols WEP, WPA, WPA2, PSK and 802.1X EAP
Data Transmission Interface	USB 3.0 × 2 ( Front × 2 ) USB 2.0 × 2 ( Rear × 2 ) Type-C × 1 (Front × 1 : Supports USB 3.0, 15 W charging functions) TF-Card Slot × 1 ( Rear × 1 )
<b>Power</b>	
Power Supply	100 to 240 VAC, 50/60 Hz
Standby Consumption	≤ 0.5 W
Average Consumption	< 189 W
<b>Working Environment</b>	
Working Temperature	0 °C to 40 °C (32 °F to 104 °F)
Working Humidity	10%~90% RH
<b>General</b>	
VESA	600 mm × 400 mm (4 × M8-25 mm)
Accessory	Wall mount bracket, hook, user manual, touch writing pen, packing list, power cable, remote control.
Package Dimensions (W × H × D)	1907.0 × 1160.0 × 223.0 mm
Net Weight	41.23 ± 0.5 kg
Gross Weight	54.3 ± 0.5 kg
Product Dimensions (With Wall Attachment)	1709.84 mm × 1017.34 mm × 124.45 mm (W × H × D)
Product Dimensions (Without Wall Attachment)	1709.84 mm × 1017.34 mm × 95.75 mm (W × H × D)

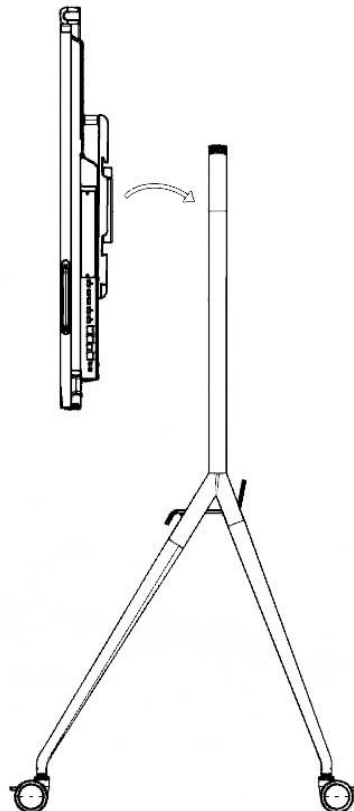
## ▪ Physical Interface

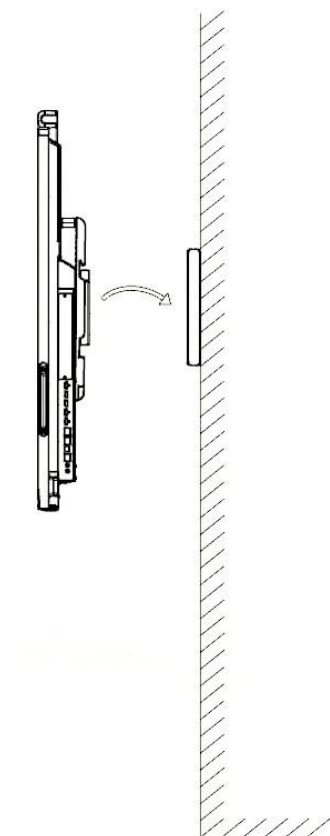
Interface	Description	Interface	Description
1.Line OUT	Audio output interface	2.Line IN	Audio input interface

3.RS 232	RS 232 Control interface	4.TOUCH-USB	Peripheral touch interface
5. LAN 2	LAN 2 interface	6.LAN 1	LAN 1 interface
7.HDMI IN 2	HDMI 2 input interface	8.HDMI IN 1 (ARC)	HDMI 1 input interface
9.USB	USB 2.0 interface	10.MULTI-USB	Multi-functional USB 3.0 interface
11.TF CARD	TF CARD interface		
A.USB	USB 3.0 interface	B.USB	USB 3.0 interface
C.TOUCH-USB	Peripheral touch interface	D.HDMI IN	HDMI input interface
E.TYPE-C	Type-C interface	F.	Light sensor
G.	Remote-control unit	H.	Power Key
J.	Volume -	K.	Volume +
L.	Android host menu	M.	Return
N.	Control menu	P.	PC shutdown
R.	NFC area		



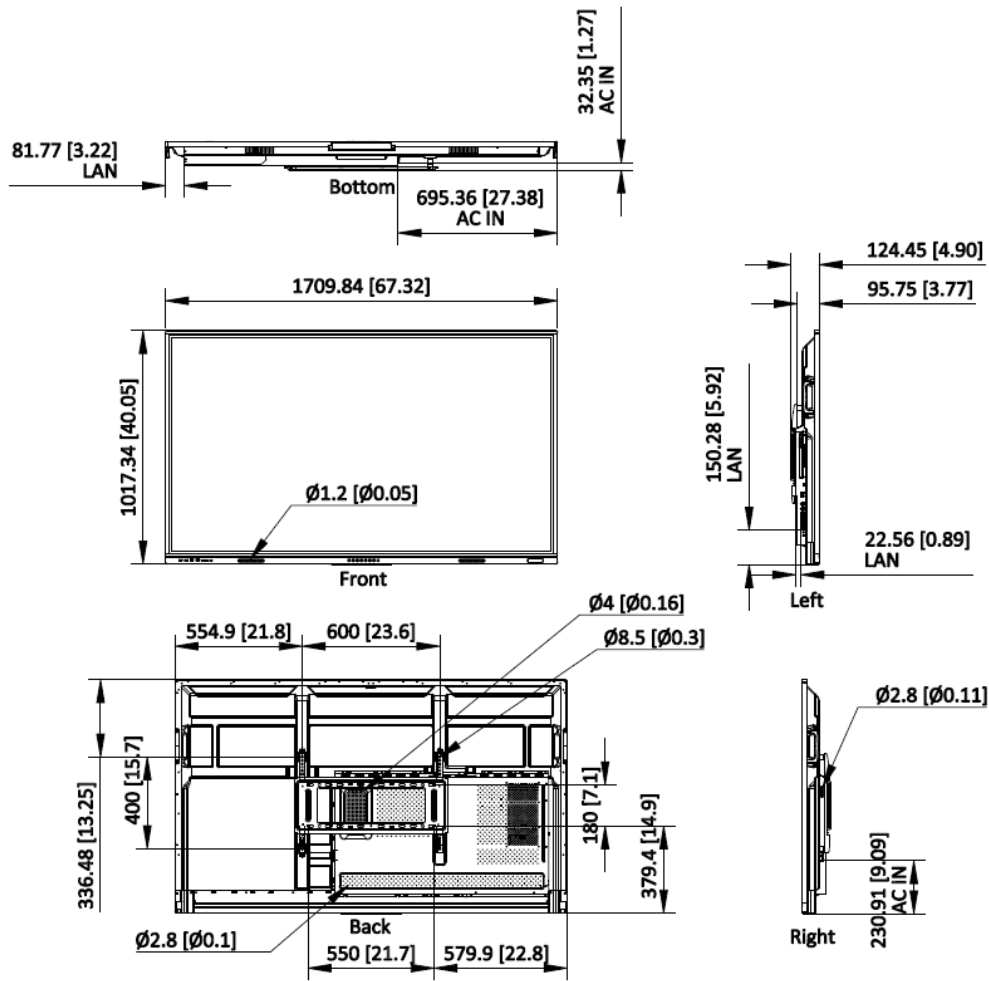
## ▪ Installation





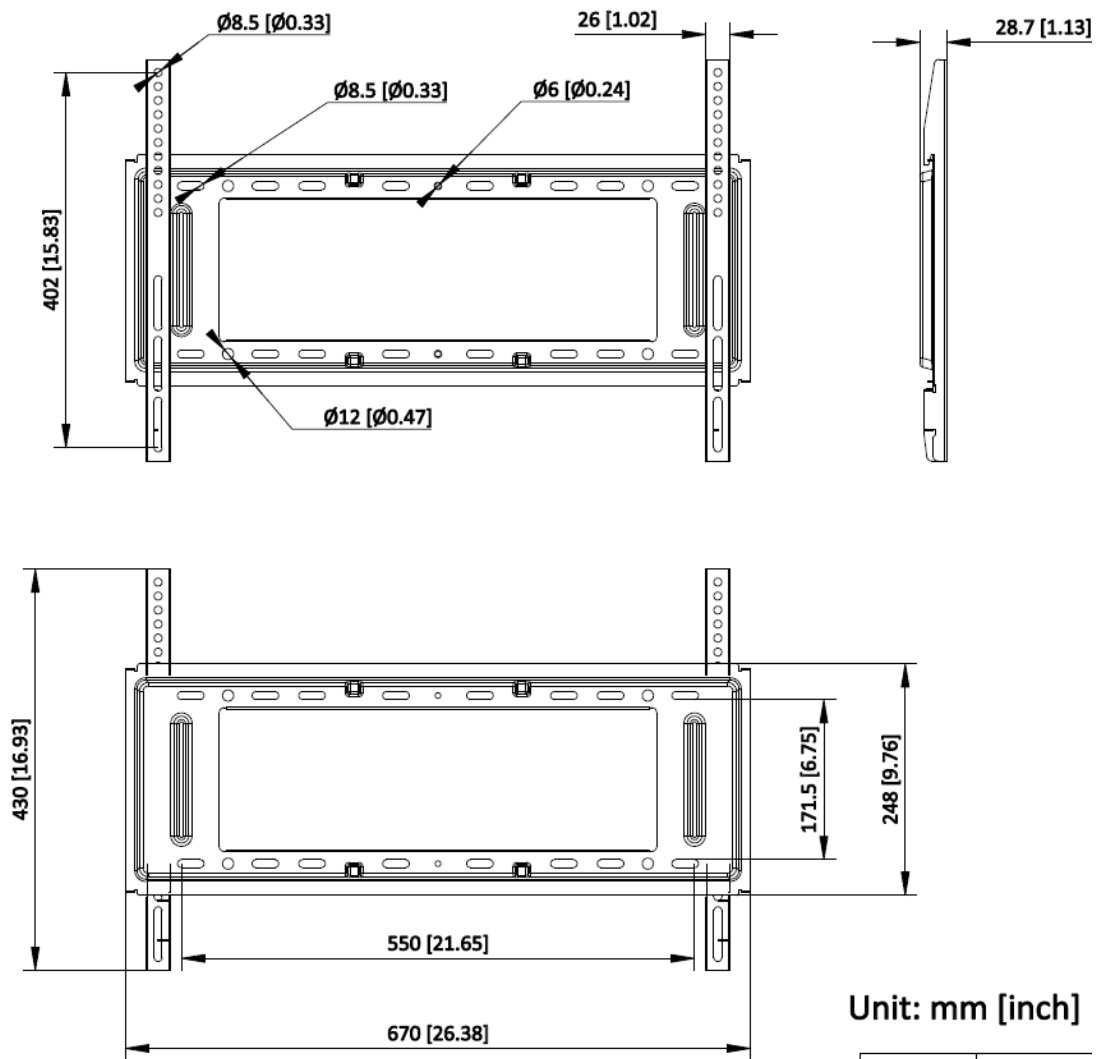
▪ Dimension

If the equipment is installed embedded in the wall, reserve at least 50mm from each side



Unit: mm [inch]

SCALE	1:5
-------	-----



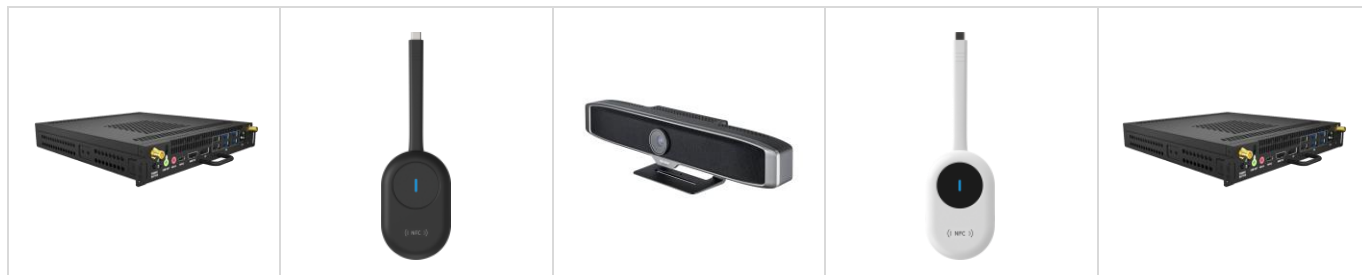
Unit: mm [inch]

SCALE 1:1.25

▪ Accessory

▪ Optional

DS-D5AC13T5-8S2	DS-D5AC13T7-16S5	DS-D5ABKY2-M	DS-D5ABKY2-S	DS-UVC-X12
DS-D5AC12T7-16S5	DS-D5SC3B-B	iDS-UVC-X28	DS-D5SC3B-W	DS-D5AC12T5-8S2



# See Far, Go Further



[www.hikvision.com](http://www.hikvision.com)  
[support@hikvision.com](mailto:support@hikvision.com)

