

**DS-2CD3787G3T-L1ZSUY/SL(PTRZ)****8 MP Smart hybrid light with Darkfighter S Strobe Light and Audible Warning Moto  
Camera**

AcuSense

DarkFighter<sup>2.0</sup>

Hikvision has been dedicated to develop products with security since established. Hikvision always follows security by design principle and has adopted many methods of security technologies into our product development lifecycle, including terminal security, data security, application security, network security, and privacy protection. In the meantime, the security technologies used by Hikvision are all in compliance with local applicable laws and safety regulations. These security measures could enhance product's cyber security protection capability and protect your devices as well as your data from malicious cyber attacks.

- Motorized Pan, Tilt, Rotate, Zoom for easy installation and maintenance
- HIK AI-ISP for excellent noise reduction effect
- 24/7 colorful imaging
- IR light & White light & Smart Hybrid Light modes
- Clear imaging against strong back light due to 130 dB WDR technology
- Clear two-way audio with dual-array mic
- Audio and alarm interface available
- Active strobe light and audio alarm to warn intruders off (-SL)
- Water and dust resistant (IP66) and vandal resistant (IK10)

## ▪ Specification

| Camera                  |  |
|-------------------------|--|
| Image Sensor            | 1/1.8" Progressive Scan CMOS   |
| Max. Resolution         | 3840 × 2160  |
| Min. Illumination       | Color: 0.001 Lux @ (F1.2, AGC ON), 0 Lux with light  |
| Shutter Time            | 1 s to 1/100,000 s   |
| Day & Night             | IR cut filter  |
| Angle Adjustment        | Remote adjustment (Max. 1000 cycles)<br>Pan: -0° to 350°, tilt: 0° to 85°, rotate: 0° to 350°  |
| Lens                    |  |
| Lens Type               | Varifocal lens, motorized lens, 2.7 to 13.5 mm   |
| Focal Length & FOV      | Horizontal FOV 112.3° to 41.2°, vertical FOV 58.1° to 23.1°, diagonal FOV 137.4° to 47.3°  |
| Lens Mount              | Integrated   |
| Focus                   | Auto, Semi-auto, Manual  |
| Iris Type               | Auto-iris  |
| Aperture                | F1.47 to F2.53   |
| Depth of Field          | 1 m to ∞   |
| DORI                    |  |
| DORI                    | Wide: D: 89.2 m, O: 35.4 m, R: 17.8 m, I: 8.9 m<br>Tele: D: 220.0 m, O: 87.3 m, R: 44.0 m, I: 22.0 m   |
| Illuminator             |  |
| Supplement Light Type   | IR, White Light  |
| Supplement Light Range  | Up to 40 m   |
| Smart Supplement Light  | Yes  |
| IR Wavelength           | 850 nm   |
| HEOP                    |  |
| Open Resources          | Memory: 40 MB,<br>Smart RAM: 450 MB,<br>eMMC: 2 GB   |
| Computing Power         | 1.5 TOPS   |
| Open Capability         | HEOP 2.0 OpendevSDK  |
| Deep Learning Structure | Caffe, PyTorch, TensorFlow, PaddlePaddle, ONNX   |
| Programming Language    | C, C++   |
| Video                   |  |
| Main Stream             | 50 Hz: 25 fps (3840 × 2160, 3200 × 1800, 2688 × 1520, 1920 × 1080, 1280 × 720)<br>60 Hz: 30 fps (3840 × 2160, 3200 × 1800, 2688 × 1520, 1920 × 1080, 1280 × 720) |
| Sub-Stream              | 50 Hz: 25 fps (1280 × 720, 640 × 480, 640 × 360)<br>60 Hz: 30 fps (1280 × 720, 640 × 480, 640 × 360)   |
| Third Stream            | 50 Hz: 10 fps (1280 × 720, 640 × 480, 640 × 360)<br>60 Hz: 10 fps (1280 × 720, 640 × 480, 640 × 360)<br>*Third stream is supported under certain settings.       |
| Fourth Stream           | 50 Hz: 1 fps (1280 × 720, 640 × 480, 640 × 360)<br>60 Hz: 1 fps (1280 × 720, 640 × 480, 640 × 360)<br>*Fourth stream is supported under certain settings.        |

|                             |   |
|-----------------------------|---|
| Video Compression           | Main stream: H.265/H.264/H.264+/H.265+,<br>Sub-stream: H.265/H.264/MJPEG,<br>Third stream: H.265/H.264,<br>Fourth stream: H.265/H.264/MJPEG,  |
| Video Bit Rate              | 32 Kbps to 16 Mbps  |
| H.264 Type                  | Baseline Profile, Main Profile, High Profile  |
| H.265 Type                  | Main Profile  |
| Bit Rate Control            | CBR,VBR   |
| Scalable Video Coding (SVC) | H.264 and H.265 encoding  |
| Region of Interest (ROI)    | 5 fixed regions for main stream and sub-stream  |
| Target Cropping             | Yes   |
| e-PTZ                       | Support Patrol and Auto Tracking settings   |
| <b>Audio</b>                |   |
| Audio Type                  | Mono sound  |
| Audio Compression           | G.711/G.722.1/G.726/MP2L2/PCM/MP3/AAC-LC  |
| Audio Bit Rate              | 64 Kbps (G.711ulaw/G.711alaw)/16 Kbps (G.722.1)/16 Kbps (G.726)/32 to 192 Kbps (MP2L2)/8 to 320 Kbps (MP3)/16 to 64 Kbps (AAC-LC)   |
| Audio Sampling Rate         | 8 kHz/16 kHz/32 kHz/48 kHz  |
| Environment Noise Filtering | Yes   |
| <b>Network</b>              |   |
| Protocols                   | TCP/IP, ICMP, HTTP, HTTPS, FTP, DHCP, DNS, DDNS, RTP, RTSP, RTCP, NTP, UPnP, SMTP, IGMP, 802.1X, QoS, IPv4, IPv6, UDP, Bonjour, SSL/TLS, PPPoE, SNMP, WebSocket, WebSockets, SRTP, SFTP   |
| Simultaneous Live View      | Up to 6 channels  |
| API                         | ONVIF (Profile S, Profile T, Profile G), ISAPI, SDK, ISUP   |
| User/Host                   | Up to 32 users<br>3 user levels: administrator, operator, and user  |
| Security                    | Password protection, complicated password, HTTPS encryption, 802.1X authentication (EAP-TLS, EAP-LEAP, EAP-MD5), watermark, IP address filter, basic and digest authentication for HTTP/HTTPS, WSSE and digest authentication for Open Network Video Interface, RTP/RTSP over HTTPS, control timeout settings, security audit log, TLS 1.1/1.2/1.3, host authentication (MAC address) |
| Network Storage             | NAS (NFS, SMB/CIFS), Auto Network Replenishment (ANR)   |
| Client                      | iVMS-4200, Hik-Connect, Hik-Central   |
| Web Browser                 | Plug-in free live view: Chrome 91+, Firefox 88+, Edge 91+, Safari 13+<br>Local service: Chrome 91+, Firefox 88+, Edge 91+   |
| <b>Image</b>                |   |
| Image Parameters Switch     | Yes   |
| Image Settings              | Rotate mode, saturation, brightness, contrast, sharpness, gain, white balance, adjustable by client software or web browser   |
| Day/Night Switch            | Day, Night, Auto, Schedule  |
| Wide Dynamic Range (WDR)    | 130 dB  |
| Image Enhancement           | BLC, HLC, 3D DNR, Distortion Correction, Defog  |
| SNR                         | ≥ 52 dB   |
| Image Stabilization         | EIS   |
| Privacy Mask                | 8 programmable polygon privacy masks  |

| Interface                        |   |
|----------------------------------|---|
| Ethernet Interface               | 1 RJ45 10 M/100 M self-adaptive Ethernet port   |
| On-Board Storage                 | Built-in memory card slot, support microSD/microSDHC/microSDXC card, up to 512 GB   |
| Built-in Microphone              | Yes, 2 built-in microphones   |
| Built-in Speaker                 | 1 built-in speaker, Max. power consumption: 2 W, max. sound pressure level: 10 cm: 97 dB.   |
| Audio                            | 1 input (line in), two-core terminal block, max. input amplitude: 3.3 Vpp, input impedance: 4.7 K $\Omega$ , interface type: non-equilibrium,<br>1 output (line out), two-core terminal block, max. output amplitude: 3.3 Vpp, output impedance: 100 $\Omega$ , interface type: non-equilibrium   |
| Alarm                            | 3 inputs, 3 outputs (max. 24 VDC/24 VAC, 1 A)   |
| Reset Key                        | Yes   |
| Power Output                     | 12 VDC, max. 100 mA   |
| Event                            |   |
| Basic Event                      | Motion detection (support alarm triggering by specified target types (human and vehicle)), video tampering alarm, exception   |
| Smart Event                      | Scene change detection, audio exception detection, defocus detection  |
| Linkage                          | Upload to FTP/NAS/memory card, notify surveillance center, trigger recording, trigger capture, send email, audible warning  |
| Deep Learning Function           |   |
| Face Capture                     | Yes   |
| People Counting                  | Yes   |
| Perimeter Protection             | Line crossing, intrusion, region entrance, region exiting<br>Support alarm triggering by specified target types (human and vehicle)   |
| General                          |   |
| Power                            | 12 VDC $\pm$ 25%, 1.35 A, max. 16.2 W, 2-core terminal block, reverse polarity protection, PoE: IEEE 802.3at, Class 4, max. 18 W  |
| Dimension                        | $\varnothing$ 155 mm $\times$ 140.4 mm ( $\varnothing$ 6.10" $\times$ 5.53")  |
| Package Dimension                | 203 mm $\times$ 203 mm $\times$ 230 mm (7.99" $\times$ 7.99" $\times$ 9.06")  |
| Weight                           | Approx. 1250 g (2.76 lb.)   |
| With Package Weight              | Approx. 1900 g (4.19 lb.)   |
| General Function                 | Heartbeat, mirror, flash log, password reset via email, pixel counter, anti-banding   |
| Storage Conditions               | -30 $^{\circ}$ C to 60 $^{\circ}$ C (-22 $^{\circ}$ F to 140 $^{\circ}$ F). Humidity 95% or less (non-condensing)   |
| Startup and Operating Conditions | -30 $^{\circ}$ C to 60 $^{\circ}$ C (-22 $^{\circ}$ F to 140 $^{\circ}$ F). Humidity 95% or less (non-condensing)   |
| Language                         | 33 languages: English, Russian, Estonian, Bulgarian, Hungarian, Greek, German, Italian, Czech, Slovak, French, Polish, Dutch, Portuguese, Spanish, Romanian, Danish, Swedish, Norwegian, Finnish, Croatian, Slovenian, Serbian, Turkish, Korean, Traditional Chinese, Thai, Vietnamese, Japanese, Latvian, Lithuanian, Portuguese (Brazil), Ukrainian |
| Flashing Light                   | White Light   |
| Approval                         |   |
| EMC                              | CE-EMC: EN 55032:2015+A1:2020, EN 50130-4:2011+A1:2014, EN IEC 61000-3-2:2019+A1:2021, EN 61000-3-3:2013+A1:2019+A2:2021  |
| Safety                           | CB: IEC 62368-1:2014+A11,<br>CE-LVD: EN 62368-1:2014/A11:2017   |

|                           |  |
|---------------------------|--|
| Environment               | CE-RoHS: 2011/65/EU,<br>WEEE: 2012/19/EU,<br>Reach: Regulation (EC) No 1907/2006 |
| Protection                | IP67: IEC 60529-2013, IK10: IEC 62262:2002                                       |
| Anti-Corrosion Protection | NEMA 4X (NEMA 250-2018)  |

### ▪ Typical Application

Hikvision products are classified into three levels according to their anti-corrosion performance. Refer to the following description to choose for your using environment.

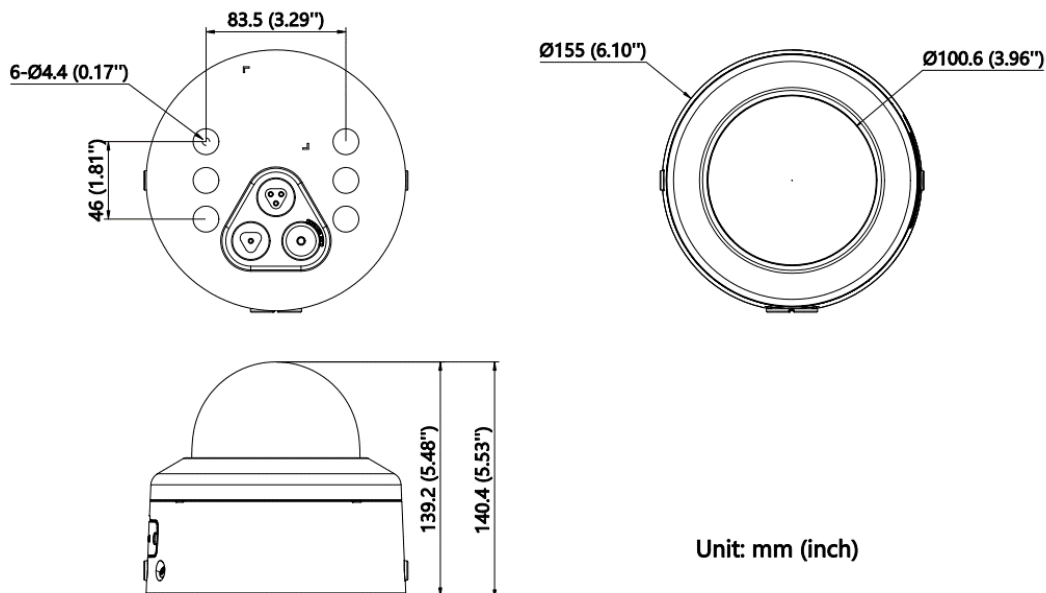
This model has NO SPECIFIC PROTECTION.

| Level                  | Description  |
|------------------------|--|
| Top-level protection   | Hikvision products at this level are equipped for use in areas where professional anti-corrosion protection is a must. Typical application scenarios include coastlines, docks, chemical plants, and more.   |
| Moderate protection    | Hikvision products at this level are equipped for use in areas with moderate anti-corrosion demands. Typical application scenarios include coastal areas about 2 kilometers (1.24 miles) away from coastlines, as well as areas affected by acid rain. |
| No specific protection | Hikvision products at this level are equipped for use in areas where no specific anti-corrosion protection is needed.  |

### ▪ Available Model

DS-2CD3787G3T-LIZSUY/SL(PTRZ)(2.7-13.5mm)

### ▪ Dimension


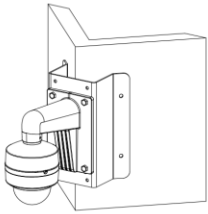


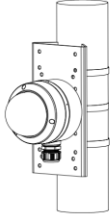


▪ **Accessory**

▪ **Optional**

| DS-4220ZJ-WC  | DS-1476ZJ-SUS   | DS-1473ZJ-155-Y   | DS-1475ZJ-SUS   | DS-1471ZJ-155-Y   |
|---|---|---|---|---|
|  |  |  |  |  |
| <p><b>DS-1250ZJ</b></p>   |   |   |   |   |
|  |   |   |   |   |

▪ **Installation Methods**

| <b>In-Ceiling Mounting</b><br>DS-4220ZJ-WC  | <b>Corner Mounting</b><br>DS-1476ZJ-SUS+DS-1473ZJ-155-Y_V100R00<br>1C001            | <b>Wall Mounting</b><br>DS-1473ZJ-155-Y+DS-1253ZJ-L                                 | <b>Wall Mounting</b><br>DS-1250ZJ   | <b>Vertical Pole Mounting</b><br>DS-1475ZJ-SUS  |
|---|---|---|---|---|
|  |  |  |  |  |
| <p><b>Pendant Mounting</b><br/>                     DS-1471ZJ-155-Y</p>             |   |   |   |   |
|  |   |   |   |   |

# See Far, Go Further



[www.hikvision.com](http://www.hikvision.com)  
[support@hikvision.com](mailto:support@hikvision.com)

