

**PTZ-T4425I-D**  
**AE PTZ**



- Four-inch 4 MP camera with pan, tilt and zoom (25x) ability
- Clear imaging against strong back light due to 120 dB true WDR technology
- Excellent night-time performance with up to 100 m enhanced IR
- Water and dust resistant (IP66)
- 4 in 1 (4 signals switchable TVI/AHD/CVI/CVBS)

## ▪ Specification

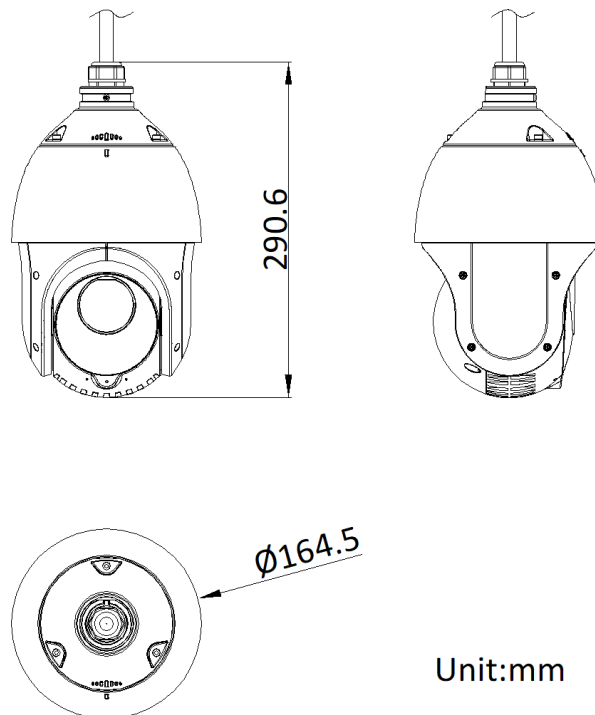
Camera	
Image Sensor	1/2.8" Progressive Scan CMOS
Max. Resolution	2560 × 1440
Min. Illumination	Color: 0.005 Lux @(F1.6, AGC ON), B/W: 0.001 Lux @(F1.6, AGC ON), 0 lux with IR
Shutter Speed	PAL: 1/1 s to 1/10,000 s NTSC: 1/1 s to 1/10,000 s
Day & Night	IR cut filter
Zoom	25 × optical, 16 × digital
Lens	
Focal Length	4.8 mm to 120 mm, 25 × optical
FOV	Horizontal FOV: 57.6° to 2.5° (wide to tele)
Focus	Auto, semi-auto, manual
Aperture	F1.6 to F3.5
Zoom Speed	Approx. 3.2 s (optical, wide to tele)
Illuminator	
Supplement Light Type	IR
Supplement Light Range	Up to 100 m
PTZ	
Movement Range (Pan)	360° endless
Movement Range (Tilt)	-15° to 90° (auto flip)
Pan Speed	Pan manual speed: 0.1° to 80°/s Pan preset speed: 80°/s
Tilt Speed	Tilt manual speed: 0.1° to 80°/s Tilt preset speed: 80°/s
Proportional Pan	Rotation speed can be adjusted automatically according to zoom multiples
Presets	256
Patrol Scan	10 patrols, up to 32 presets for each patrol
Pattern Scan	5 patterns, record time over 10 minutes for each scan
Park Action	Preset/Patrol/Pattern/Pan Scan/Tilt Scan/Panorama Scan/Day Mode/Night Mode/None
PTZ Status Display	Yes
Scheduled Task	Preset/Patrol/Pattern/Pan Scan/Tilt Scan/Panorama Scan/Day Mode/Night Mode/Zero Calibration/None
Power-off Memory	Yes
Video	
Frame Rate	50 Hz: 25 fps @(2560 × 1440) 60 Hz: 30 fps @(2560 × 1440)
Network	
Protocols	UTC protocol (or HIKVISION-C protocol in previous DVR)
Image	
Image Settings	AGC, white balance
Wide Dynamic Range (WDR)	≥ 120 dB
Image Stabilization	EIS
Image Enhancement	BLC, HLC, 3D DNR
Privacy Mask	8 programmable privacy masks

Regional Focus	Yes
<b>Interface</b>	
Video Output	Switchable TVI/AHD/CVI/CVBS video output, (NTSC or PAL composite, BNC)
RS-485	Half-duplex mode Self-adaptive HIKVISION, Pelco-P, Pelco-D protocol
<b>General</b>	
Power	12 VDC, max. 20 W (IR: 7 W)
Dimension	Ø 165.9 mm × 290 mm (Ø 6.5" × 11.4")
Operating Condition	-30° C to 65° C (-22° F to 149° F). Humidity 90% or less
Language	English
<b>Approval</b>	
Protection	IP66 (outdoor dome), TVS 4,000 V lightning protection, surge protection and voltage transient protection

▪ **Available Model**

PTZ-T4425I-D(F)

▪ **Dimension**



▪ **Accessory**

▪ **Optional**

HIA-B173	HIA-B471-B	HIA-B472	HIA-B471-BP	HIA-B473
----------	------------	----------	-------------	----------

				
<b>HIA-B471-C</b>	<b>HIA-B571</b>	<b>HIA-B371</b>	<b>HIA-B471-BC</b>	<b>HIA-B471</b>
				
<b>HIA-B171</b>	<b>HIA-B471-P</b>	<b>HIA-B172</b>		
				

# See Far, Go Further



[www.hikvision.com](http://www.hikvision.com)  
[support@hikvision.com](mailto:support@hikvision.com)

