

DS-TCG406-E(S) 4 MP Access ANPR Camera



- 1/1.8" progressive scan CMOS.
- Up to 2688 × 1520 resolution with real-time video.
- 4 built-in high-performance LEDs (integrated white light and IR).
- 2.8 to 12 mm/8 to 32 mm motorized vari-focal lens.
- Supports relay output to control vehicle barrier gate.
- Supports Wiegand, connectable with access control system.
- Supports loop triggering, radar triggering, and video triggering LPR.
- Supports multi-frame LPR, improving LPR rate.
- Supports dirty license plate recognition.
- Equipped with vehicles passing detection algorithm to realize auto switch of barrier gate normally open mode during continuous vehicles passing and improve passing efficiency.
- Supports vehicle type, vehicle color, and vehicle brand recognition.
- Integrated shield, lights, and TF card slot (up to 1 TB).
- Up to 100,000 blocklist and allowlist.
- Supports offline control of barrier gate under allowlist mode.
- Supports a variety of installation methods: pole mounting, wall mounting, pendant mounting, and universal joint installation. Equipped with concealed wire box.
- Adopts entrance and exit dedicated exposure algorithm to adapt to the front/back light and inconsistent front and rear license plates scenes to improve LPR accuracy.

▪ Specification

Model		DS-TCG406-E(S)
Lens	Lens Type	2.8 to 12 mm 8 to 32 mm
	Aperture	2.8 to 12 mm: F1.2 to F2.5 8 to 32 mm: F1.7 to F1.73
	Focal Length & FoV	2.8 to 12 mm, horizontal FoV: 114.5° to 41.8°, vertical FoV: 59.3° to 23.6°, diagonal FoV: 141.1° to 48°, 8 to 32 mm, horizontal FoV: 42.5° to 15.1°, vertical FoV: 23.3° to 8.64°, diagonal FoV: 49.6° to 17.3°
	Focus	Auto, Vari-focal lens, motor-driven lens
Supplement Light	Supplement Light Type	IR Light, Warm White Light
	Supplement Light Range	Video: 2.8 mm to 12 mm: 25 m 8 mm to 32 mm: 50 m Vehicle License Plate: 2.8 mm to 12 mm: 10 m 8 mm to 32 mm: 20 m
	IR Wavelength	Warm White Light 3000 K, IR Light 850 nm
Capture Mode	Trigger Type	Video Detection, I/O Coil, Radar Mixed Traffic
	Picture Type	Scene Picture, Scene Picture + Close-up Picture
	Scene Mode	Entrance & Exit Toll Gate, Underground Parking Entrance & Exit
	Capture Type	Strobe Light Mode
Capture Parameters	Image Format	JPEG
	Capture Resolution	2688 × 1520
	License Plate Recognition	Forward, Backward, Bidirection
	LED Control	Supports automatic light control/time control of LEDs
	Smart Recognition	ANPR, Motor Vehicle Feature, Vehicle Color Recognition, Enable Vehicle Manufacturer Recognition
	Capture Picture Overlay	Location, Capture Time, Plate Number, Capture No., Vehicle Color Vehicle Type
Image	WDR	140 dB
	Main Stream	50 Hz: 25 fps (2688 × 1520, 1920 × 1080, 1280 × 720) 60 Hz: 30 fps (2688 × 1520, 1920 × 1080, 1280 × 720)
	Sub-Stream	50 Hz: 25 fps (1920 × 1080, 1280 × 720, 704 × 576, 640 × 480) 60 Hz: 30 fps (1920 × 1080, 1280 × 720, 704 × 480, 640 × 480)
	Image Settings	Saturation: 0 to 100 Brightness: 0 to 100 Contrast: 0 to 100 Gain: 0 to 100 3D DNR: Off, Normal, and Expert modes are selectable.

		White balance: White Balance 1 and White Balance 2 are selectable.
	Image Parameters Switch	Yes
	WDR Switch	On, Time, Brightness
	Frame Rate	25 fps (P)/30 fps (N)
Entrance and Exit	Barrier Gate Control Mode	By Camera/Platform/Mixed
	Keep Boom Pole Open for Following Vehicle	Enable/Disable
	Lock Barrier Gate for Large-Sized Vehicle	Yes
	Relay Output	2-ch relay output, supporting opening and closing of barrier gates
	Barrier Gate Status	None, Barrier Gate Close In Place, Barrier Gate Open In Place, Remote Control Open In Place
	Allowlist and Blocklist	Up to 100,000 allowlist and blocklist totally
Video	ROI	8 regions respectively for main stream and sub-stream, 6 levels for each region.
	Video Compression	Main stream: H.265/H.264/MJPEG, Sub-stream: H.265/H.264/MJPEG,
	H.264 Type	Low profile Medium profile High Profile
	Video Bit Rate	32 Kbps to 16 Mbps
	Bit Rate Type	Constant, Variable
	Scalable Video Coding (SVC)	H.265 and H.264 encoding
Network	Network Storage	NAS (NFS, SMB/CIFS), auto network replenishment (ANR) together with high-end Hikvision memory card, memory card encryption and health detection are supported.
	Protocol	TCP/IP, ICMP, HTTP, HTTPS, FTP Upload Picture, DHCP, DNS, DDNS, RTP, RTSP, RTCP, NTP, SNMP, IGMP, QoS, IPv6, UDP, SSL/TLS, WebSocket, SRTP
	API	Open Network Video Interface (PROFILE S, PROFILE G, PROFILE T), ISAPI, SDK, ISUP, Otap, Guarding Vision Platform
	Client	Hik-Connect, Hik-Central, SDKdemo, PMS
	Web Browser	Plug-in required live view: IE10+ Plug-in free live view: Chrome 57.0+, Firefox 52.0+, Safari 11+ Local service: Chrome 41.0+, Firefox 30.0+
	Security	Password protection, complicated password, HTTPS encryption, watermark, IP address filter, basic and digest authentication for HTTP/HTTPS, WSSE and digest authentication for Open Network Video Interface, RTP/RTSP OVER HTTPS, Control Timeout Settings, Security Audit Log, TLS 1.2
Camera	Max. Resolution	2688 × 1520

	Sensor Type	1/1.8" Progressive Scan CMOS
	Min. Illumination	Color: 0.0005 Lux @ (F1.2, AGC ON) B/W: 0.0001 Lux @ (F1.2, AGC ON) 0 Lux with IR
	Shutter	1/30 s to 1/100,000 s
	Day/Night Switch	Supported
	IR Cut Filter	IR cut filter Blue glass module to reduce ghost phenomenon
Interface	Audio	1 input (line in), 1 output (line out)
	Alarm Input	3-ch triggered inputs
	Alarm Output	1-ch alarm output
	Wiegand	Supported: CardID 26bit, SHA-1 26bit, Hik 34bit, NEWG 72bit
	RS-232	1-ch RS-485 serial port
	RS-485	1-ch RS-232 serial port
	Network Interface	1 RJ45 10M/100M self-adaptive Ethernet port
	Memory Card Slot	1 TF card slot, up to 1 TB
Smart Function	LPR Accuracy	Accuracy (Under recommended installation and lighting conditions): License plate recognition rate ≥98.5% Capture rate ≥99% Driving direction accuracy rate ≥98%
	Vehicle Type Recognition	Car/Van/Bus/Truck/Light Truck/SUV_MPV/Pickup/Pedestrian/Motorcycle/Tricycle
	Vehicle Color	Red, Yellow (including orange, golden), Green, Cyan, Blue, Purple, Pink, Brown, White, Gray (including silver), Black
	Vehicle Brand	84 manufacturers: Hyundai, Toyota, KIA, Honda, Volkswagen, Benz, Nissan, Ford, Isuzu, BMW, Chevrolet, Mitsubishi, Renault, Opel, Suzuki, Skoda, Daewoo, Audi, Mazda, GAC HINO, Peugeot, SsangYong, Citroen, Fiat, Scania, MAN, Volvo, Lexus, Seat, Land Rover, Daihatsu, Dongwo, Subaru, Iveco, MINI, JEEP, Porsche, Chery, Dodge, Chrysler, Acura, Alfa Romeo, Great Wall, Infiniti, Smart, Saic Maxus, JAC, Jaguar, GMC, Lincoln, JMC, SAAB, FAW, Yutong, Guangzhou Yunbao, Joylong, Geely, Cadillac, JBC, An'kai, Haima, Foton, King Long, Dongfeng, Geely-Emgrand, Perodua, UD, BYD, Renault Samsung, Proton, HICOM, Malaysia_Unknown 1, Hyundai-Rohens, SsangYong-Old Version, Equus-Old Version, CNHTC, Rolls-Royce, Beiben Truck, Haval, Hino, Kia-Borrego, Chang'an, Alfa, FORO
	ANPR Supported Country/Region	6 areas (Asia, Africa, America, Europe, Oceania, Russian-Speaking Regions) and more than 130+ countries/regions (Statistical quantity includes baseline version and customized version.) Asia: Hong Kong(China), Macau(China), Taiwan(China), Japan, South Korea, Mongolia, Indonesia, Myanmar, Vietnam, the Philippines, Thailand, Laos, Cambodia, Malaysia, Singapore, Pakistan, Sri Lanka, Nepal, India, Bangladesh, Qatar, Kuwait, Oman, Saudi Arabia, Bahrain, Lebanon, Jordan, Iraq, United Arab Emirates, Dubai, Fujairah, Al Ain, Abu Dhabi, Ajman, Sharjah, Umm Al Qwain, Yemen Africa:

		<p>Egypt, Libya, Tunisia, Algeria, Morocco, Nigeria, Senegal, Ivory Coast, Ghana, Kenya, Tanzania, Uganda, Ethiopia, South Africa, Namibia, Zimbabwe, Zambia, Cameroon, Angola, Mauritius, Sierra Leone</p> <p>America: Canada, Mexico, Panama, Costa Rica, El Salvador, Guatemala, Trinidad and Tobago, Dominican Republic, Argentina, Brazil, Chile, Colombia, Peru, Ecuador, Paraguay, Uruguay, Bolivia, Venezuela, Suriname</p> <p>Europe: Italy, Spain, Portugal, Greece, Croatia, Slovenia, Montenegro, Albania, the Republic of North Macedonia, Serbia, Bosnia and Herzegovina, Bulgaria, Romania, Malta, San Marino, Andorra, Germany, Poland, Czech Republic, Slovakia, Hungary, Austria, Switzerland, Liechtenstein, France, the UK, Ireland, Netherlands, Belgium, Luxembourg, Sweden, Denmark, Finland, Iceland, Lithuania, Israel, Palestine, Kosovo, Cyprus, Turkey</p> <p>Oceania: Australia, New Zealand</p> <p>Russian-Speaking Regions: Kazakhstan, Uzbekistan, Kyrgyzstan, Tajikistan, Azerbaijan, Georgia, Estonia, Latvia, Russia, Ukraine, Moldova, Armenia, Turkmenistan, Belarus</p>
Approval	EMC	CE-EMC (EN 55032:2015, EN 61000-3-2:2019, EEN 61000-3-3:2013 + A1: 2019, EN 50130-4:2011 + A1: 2014); KC (KN 32: 2015, KN 35: 2015)
	Security	CB (IEC 62368-1: 2014 + A11); CE-LVD (EN 62368-1: 2014/A11: 2017); BIS (IS 13252 (Part 1): 2010/IEC 60950-1: 2005);
	Environment	CE-RoHS (2011/65/EU); WEEE (2012/19/EU); Reach (Regulation (EC) No 1907/2006)
General	Power Supply	12 to 24 VDC/PoE (802.3af, 44 V to 57 V), 300 mA to 230 mA
	Working Consumption	10 W Max.
	Dimensions	415 mm × 145 mm × 145 mm (16.34 × 5.71 × 5.71 inch)
	Protection	IK10 (IEC 62262:2002), IP67 (IEC 60529-2013)
	Weight	3.25 kg (7.17 lb.)
	Weight (with Package)	4.3 kg (9.48 lb.)
	Package Size	465 mm × 200 mm × 198 mm (18.31 × 7.87 × 7.80 inch)
	Storage Conditions	Temperature: -20 °C to 70 °C (-4 °F to 158 °F) Humidity: 95% (non-condensing)
	Startup and Operating Conditions	Temperature: -30 °C to 70 °C (-22 °F to 158 °F) Humidity: 95% (non-condensing)
	Language	33 languages: English, Russian, Estonian, Bulgarian, Hungarian, Greek, German, Italian, Czech, Slovak, French, Polish, Dutch, Portuguese, Spanish, Romanian, Danish, Swedish, Norwegian, Finnish, Croatian, Slovenian, Serbian, Turkish, Korean, Traditional Chinese, Thai, Vietnamese, Japanese, Latvian, Lithuanian, Portuguese (Brazil), Ukrainian

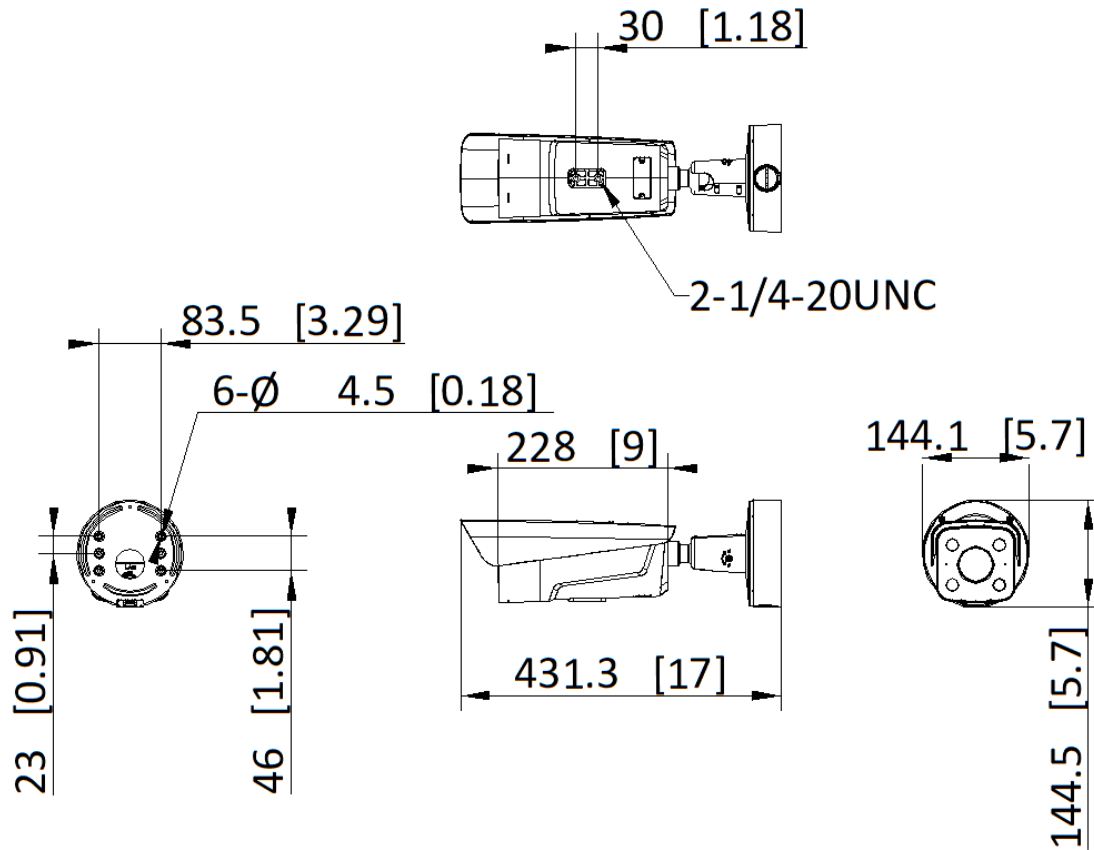
▪ Available Model

DS-TCG406-E(S)(12V/PoE)(0832)

DS-TCG406-E(S)(12V/PoE/Y)(2812)





- DS-TCG406-E(S)(12V/PoE/Y)(0832)
- DS-TCG406-E(S)(12V/PoE)(2812)
- DS-TCG406-E(S)(12V/PoE)(2812)/SKD(BRA)
- DS-TCG406-E(S)(12V/PoE)(2812)(ICT)

▪ **Dimension**



▪ **Accessory**

▪ **Optional**

DS-1476ZJ-SUS/BJZ Corner Mount Bracket	L1500-X800-R125 Column Bracket	DS-1475ZJ-SUS/BJZ Vertical Pole Mount Bracket	L700-R125 Pole for LPR camera unit TCGX06
			

See Far, Go Further



www.hikvision.com
support@hikvision.com

