

DS-2CD3347G3E-LIUF/SL

4 MP Strobe Light and Audible Warning Fixed Mini Turret Network Camera



- High quality imaging with 4 MP resolution
- Support Human and Vehicle Detection
- Smart Hybrid Light: advanced technology with long range
- Efficient H.265+ compression technology
- Support on-board storage up to 512 GB (SD card slot)
- Built-in microphone for real-time audio security
- Water and dust resistant (IP67)

▪ Specification

| Model | | DS-2CD3347G3E-LIUF/SL |
|-------------|-----------------------------|--|
| Camera | Image Sensor | 1/2.8" Progressive Scan CMOS |
| | Max. Resolution | 2560 × 1440 |
| | Min. Illumination | Color: 0.0005 Lux @ (F1.0, AGC ON), 0 Lux with light |
| | Shutter Time | 1 s to 1/10000 s |
| | Day & Night | IR cut filter |
| | Angle Adjustment | Pan: 0° to 360°, tilt: 0° to 75°, rotate: 0° to 360° |
| Lens | Lens Type | Fixed focal lens, 2.8 and 4 mm optional |
| | Focal Length & FOV | 2.8 mm, horizontal FOV 101.5°, vertical FOV 54.6°, diagonal FOV 122.1° 4 mm, horizontal FOV 84.1°, vertical FOV 45.6°, diagonal FOV 99.1° |
| | Lens Mount | M12 |
| | Iris Type | Fixed |
| | Aperture | F1.0 |
| DORI | DORI | 2.8 mm, D: 63 m, O: 25 m, R: 12 m, I: 6 m 4 mm, D: 77 m, O: 30 m, R: 15 m, I: 7 m |
| Illuminator | Supplement Light Type | IR, White Light |
| | Supplement Light Range | Up to 30 m |
| | Smart Supplement Light | Yes |
| | IR Wavelength | 850 nm |
| Video | Main Stream | 50 Hz: 25 fps (2560 × 1440, 1920 × 1080, 1280 × 720) 60 Hz: 24 fps (2560 × 1440, 1920 × 1080, 1280 × 720) |
| | Sub-Stream | 50 Hz: 25 fps (1280 × 720, 640 × 480, 640 × 360) 60 Hz: 24 fps (1280 × 720, 640 × 480, 640 × 360) |
| | Third Stream | 50 Hz: 1 fps (1280 × 720, 640 × 480, 640 × 360) 60 Hz: 1 fps (1280 × 720, 640 × 480, 640 × 360) |
| | Video Compression | Main stream: H.265+/H.265/H.264+/H.264, Sub-stream: H.265/H.264/MJPEG, Third stream: H.265/H.264 |
| | Video Bit Rate | 32 Kbps to 8 Mbps |
| | H.264 Type | Baseline Profile, Main Profile, High Profile |
| | H.265 Type | Main Profile |
| | Bit Rate Control | CBR, VBR |
| | Region of Interest (ROI) | 1 fixed region for main stream and sub-stream |
| | Scalable Video Coding (SVC) | H.264 and H.265 encoding |
| Audio | Audio Type | Mono sound |

| | | |
|------------------|-----------------------------|--|
| | Audio Compression | G.711ulaw/G.711alaw/G.722.1/G.726/MP2L2/PCM/AAC-LC/MP3 |
| | Audio Bit Rate | 64 Kbps (G.711)/16 Kbps (G.722.1)/16 Kbps (G.726)/32 to 160 Kbps (MP2L2)/16 to 64 Kbps (AAC-LC) |
| | Audio Sampling Rate | 8 kHz/16 kHz |
| | Environment Noise Filtering | Yes |
| Network | Protocols | IPv4, IPv6, TCP/IP, ICMP, DHCP, DNS, HTTP, RTP, RTSP, RTCP, NTP, IGMP, UDP, QoS, FTP, SMTP, UPnP |
| | Simultaneous Live View | Up to 6 channels |
| | API | ONVIF (Profile S, Profile T, Profile G), ISAPI, SDK |
| | Security | Password protection, complicated password, watermark, basic and digest authentication for HTTP, WSSE and digest authentication for Open Network Video Interface, security audit log, host authentication (MAC address) |
| | User/Host | Up to 32 users 3 user levels: administrator, operator, and user |
| | Client | iVMS-4200, Hik-Connect |
| | Web Browser | Plug-in free live view: Chrome 57.0+, Firefox 52.0+, Edge 89+, Safari 11 Local service: Chrome 57.0+, Firefox 52.0+, Edge 89+ |
| Image | Image Settings | Rotate mode, saturation, brightness, contrast, sharpness, gain, white balance, adjustable by client software or web browser |
| | Day/Night Switch | Day, Night, Auto, Schedule |
| | Wide Dynamic Range (WDR) | 120 dB |
| | SNR | ≥ 52 dB |
| | Image Enhancement | BLC, HLC, 3D DNR |
| | Privacy Mask | 4 programmable rectangle privacy masks |
| Interface | Ethernet Interface | 1 RJ45 10 M/100 M self-adaptive Ethernet port |
| | On-Board Storage | Built-in memory card slot, support microSD/microSDHC/microSDXC card, up to 512 GB |
| | Built-in Microphone | Yes |
| | Built-in Speaker | 1 built-in speaker, Max. power consumption: 2 W, max. sound pressure level: 10 cm: 101 dB. |
| | Reset Key | Yes |
| Event | Basic Event | Motion detection (support alarm triggering by specified target types (human and vehicle)), video tampering alarm, exception |
| | Smart Event | Line crossing detection, intrusion detection, region entrance detection, region exiting detection (support alarm triggered by specified target types (human and vehicle)) |
| | Linkage | Upload to memory card, trigger recording, upload to FTP, notify surveillance center, send |

| | | |
|-----------------|----------------------------------|--|
| | | email, trigger capture, audible warning, flashing light |
| General | Power | 12 VDC \pm 25%, 0.54 A, max. 6.5 W, \varnothing 5.5 mm coaxial power plug, reverse polarity protection, PoE: IEEE 802.3af, Class 3, max. 7.8 W |
| | Material | Metal |
| | Dimension | \varnothing 127.3 mm \times 96.3 mm (\varnothing 5" \times 3.8") |
| | Package Dimension | 150 mm \times 150 mm \times 141 mm (5.91" \times 5.91" \times 5.55") |
| | Weight | Approx. 595 g (0.9 lb.) |
| | With Package Weight | Approx. 775 g (1.4 lb.) |
| | Storage Conditions | -30 °C to 60 °C (-22 °F to 140 °F). Humidity 95% or less (non-condensing) |
| | Startup and Operating Conditions | -30 °C to 60 °C (-22 °F to 140 °F). Humidity 95% or less (non-condensing) |
| | Language | English, Russian, Ukrainian, Arabic, Spanish, French, Portuguese, Turkish, Polish, German |
| | General Function | Heartbeat, anti-banding, mirror, password reset via email, password protection |
| | Flashing Light | White Light |
| Approval | EMC | CE-EMC: EN 55032:2015+A1:2020, EN 50130-4:2011+A1:2014, EN IEC 61000-3-2:2019+A1:2021, EN 61000-3-3:2013+A1:2019+A2:2021 |
| | Safety | CB: IEC 62368-1:2014+A11, CE-LVD: EN 62368-1:2014/A11:2017 |
| | Environment | CE-RoHS: 2011/65/EU, WEEE: 2012/19/EU, Reach: Regulation (EC) No 1907/2006 |
| | Protection | IP67: IEC 60529-2013 |

▪ Typical Application

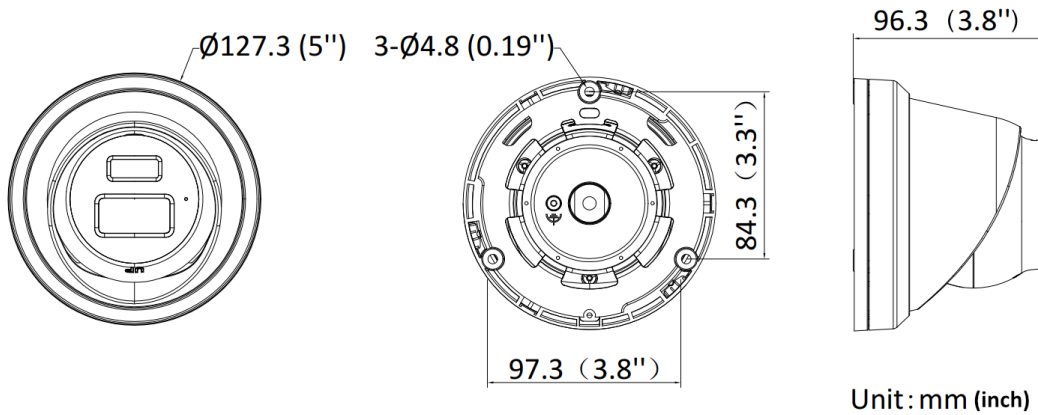
Hikvision products are classified into three levels according to their anti-corrosion performance. Refer to the following description to choose for your using environment.

This model has NO SPECIFIC PROTECTION.

| Level | Description |
|------------------------|--|
| Top-level protection | Hikvision products at this level are equipped for use in areas where professional anti-corrosion protection is a must. Typical application scenarios include coastlines, docks, chemical plants, and more. |
| Moderate protection | Hikvision products at this level are equipped for use in areas with moderate anti-corrosion demands. Typical application scenarios include coastal areas about 2 kilometers (1.24 miles) away from coastlines, as well as areas affected by acid rain. |
| No specific protection | Hikvision products at this level are equipped for use in |

areas where no specific anti-corrosion protection is needed.

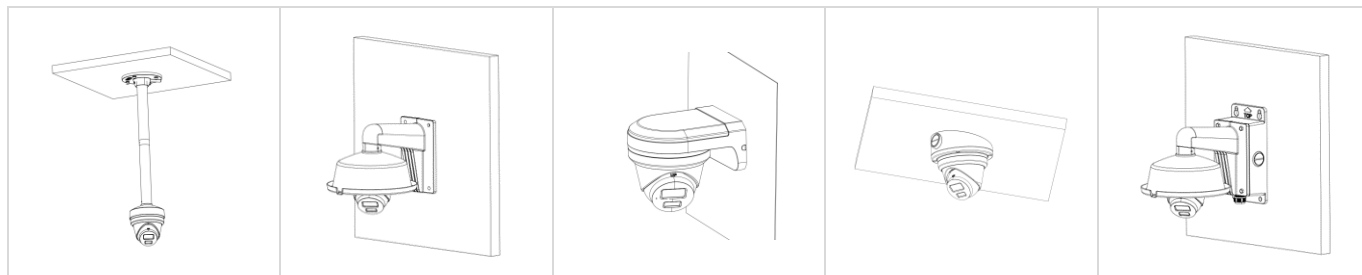
▪ **Dimension**



▪ **Accessory**

▪ **Optional**

| DS-1275ZJ-SUS Vertical pole mount | DS-1275ZJ-S-SUS Vertical pole mount | DS-1276ZJ-SUS Corner mount | DS-220AZJ-130-WA Wall mount | DS-1280ZJ-DM8 Junction box |
|--------------------------------------|--|--------------------------------|--|--------------------------------------|
| | | | | |
| | | | | |
| DS-1271ZJ-130-TRL Pendant Mount | DS-1273ZJ-130-TRL Wall mount | DS-220AZJ-145-WA Wall mount | DS-1281ZJ-M Inclined ceiling mount | DS-1273ZJ-130B-T RL Wall mount |
| | | | | |



See Far, Go Further



www.hikvision.com
support@hikvision.com

