

## DS-2CD30C7G3-LIU/SL(Y)

12 MP AcuSense Strobe Light and Audible Warning Fixed Mini Bullet Network Camera



Hikvision has been dedicated to develop products with security since established. Hikvision always follows security by design principle and has adopted many methods of security technologies into our product development lifecycle, including terminal security, data security, application security, network security, and privacy protection. In the meantime, the security technologies used by Hikvision are all in compliance with local applicable laws and safety regulations. These security measures could enhance product's cyber security protection capability and protect your devices as well as your data from malicious cyber attacks.

- UHD: 12 MP Ultra High Definition
- HIK AI-ISP for excellent noise reduction effect
- 24/7 colorful imaging
- Scene-adaptive WDR
- Focus on Person and Vehicle classification based on deep learning
- Built-in microphone for real-time audio security ;
- Provide real-time security via built-in two-way audio
- -Y: Anti-corrosion design, providing reliability and longevity compared to standard (NEMA4X)
- Smart Hybrid Light: Integrates IR and White lights, 3 supplemental lighting modes
- Water and dust resistant (IP67)
- Active strobe light and audio alarm to warn intruders off

## ▪ Specification

Model		DS-2CD30C7G3-LIU/SL(Y)
Camera	Image Sensor	1/1.8" Progressive Scan CMOS
	Max. Resolution	4608 × 2592
	Min. Illumination	Color: 0.0008 Lux @ (F1.6, AGC ON), 0 Lux with light
	Shutter Time	1 s to 1/100,000 s
	Day & Night	IR cut filter
	Angle Adjustment	Pan: 0° to 360°, tilt: 0° to 90°, rotate: 0° to 360°
Lens	Focal Length & FOV	2.8 mm, horizontal FOV 94.2°, vertical FOV 51.1°, diagonal FOV 110.2° 4 mm, horizontal FOV 73.1°, vertical FOV 40.2°, diagonal FOV 84.8° 6 mm, horizontal FOV 47°, vertical FOV 25.6°, diagonal FOV 54.6°
	Lens Mount	M16
	Iris Type	Fixed
	Aperture	F1.6
	Depth of Field	2.8 mm: 2.9 m to ∞ 4 mm: 3.5 m to ∞ 6 mm: 8.3 m to ∞
DORI	Lens Type	Fixed focal lens, 2.8, 4, and 6 mm optional
	DORI	2.8 mm, D: 117 m, O: 46 m, R: 23 m, I: 11 m 4 mm, D: 148 m, O: 59 m, R: 29 m, I: 14 m 6 mm, D: 236 m, O: 93 m, R: 47 m, I: 23 m
Illuminator	Smart Supplement Light	Yes
	Supplement Light Type	IR, White Light
	IR Wavelength	850 nm
	Supplement Light Range	Up to 40 m
Video	Main Stream	50Hz: 20fps(4608 × 2592) 25fps(3840 × 2160, 2688 × 1520, 1920 × 1080, 1280 × 720) 60Hz: 20fps(4608 × 2592) 30fps(3840 × 2160, 2688 × 1520, 1920 × 1080, 1280 × 720)
	Sub-Stream	50 Hz: 25 fps (1280 × 720, 640 × 480, 640 × 360) 60 Hz: 30 fps (1280 × 720, 640 × 480, 640 × 360)
	Third Stream	50 Hz: 10 fps (1920 × 1080, 1280 × 720, 640 × 480, 640 × 360) 60 Hz: 10 fps (1920 × 1080, 1280 × 720, 640 × 480, 640 × 360) *Third stream is supported under certain settings.
	Fourth Stream	50 Hz: 1 fps (1280 × 720, 640 × 480, 640 × 360) 60 Hz: 1 fps (1280 × 720, 640 × 480, 640 × 360) *Fourth stream is supported under certain settings.

	Video Compression	Main stream: H.265/H.264/H.264+/H.265+, Sub-stream: H.265/H.264/MJPEG, Third stream: H.265/H.264, Fourth stream: H.265/H.264/MJPEG,
	Video Bit Rate	32 Kbps to 24 Mbps
	H.264 Type	Baseline Profile, Main Profile, High Profile
	H.265 Type	Main Profile
	Bit Rate Control	CBR, VBR
	Scalable Video Coding (SVC)	H.264 and H.265 encoding
	Region of Interest (ROI)	5 fixed regions for main stream and sub-stream
<b>Audio</b>	Audio Type	Mono sound
	Audio Compression	G.711/G.722.1/G.726/MP2L2/PCM/MP3/AAC-LC
	Audio Bit Rate	64 Kbps (G.711ulaw/G.711alaw)/16 Kbps (G.722.1)/16 Kbps (G.726)/32 to 192 Kbps (MP2L2)/8 to 320 Kbps (MP3)/16 to 64 Kbps (AAC-LC)
	Audio Sampling Rate	8 kHz/16 kHz/32 kHz/48 kHz
	Environment Noise Filtering	Yes
<b>Network</b>	Protocols	TCP/IP, ICMP, HTTP, HTTPS, FTP, DHCP, DNS, DDNS, RTP, RTSP, RTCP, NTP, UPnP, SMTP, IGMP, 802.1X, QoS, IPv4, IPv6, UDP, Bonjour, SSL/TLS, PPPoE, SNMP, WebSocket, WebSockets, SRTP, SFTP
	Simultaneous Live View	Up to 6 channels
	API	ONVIF (Profile S, Profile T, Profile G), ISAPI, SDK, ISUP
	User/Host	Up to 32 users 3 user levels: administrator, operator, and user
	Security	Password protection, complicated password, HTTPS encryption, 802.1X authentication (EAP-TLS, EAP-LEAP, EAP-MD5), watermark, IP address filter, basic and digest authentication for HTTP/HTTPS, WSSE and digest authentication for Open Network Video Interface, RTP/RTSP over HTTPS, control timeout settings, security audit log, TLS 1.1/1.2/1.3, host authentication (MAC address)
	Network Storage	NAS (NFS, SMB/CIFS), Auto Network Replenishment (ANR)
	Web Browser	Plug-in free live view: Chrome 91+, Firefox 88+, Edge 91+, Safari 13+ Local service: Chrome 91+, Firefox 88+, Edge 91+
	Client	iVMS-4200, Hik-Connect, Hik-Central
<b>Image</b>	Image Parameters Switch	Yes
	Image Settings	Rotate mode, saturation, brightness, contrast, sharpness, gain, white balance, adjustable by client software or web browser
	Day/Night	Day, Night, Auto, Schedule

	Switch	
	Wide Dynamic Range (WDR)	130 dB
	SNR	≥ 52 dB
	Image Enhancement	BLC,HLC,3D DNR,Distortion Correction,Defog
	Privacy Mask	8 programmable polygon privacy masks
<b>Interface</b>	Ethernet Interface	1 RJ45 10 M/100 M self-adaptive Ethernet port
	On-Board Storage	Built-in memory card slot, support microSD/microSDHC/microSDXC card, up to 512 GB
	Built-in Speaker	Max. power consumption: 2 W, max. sound pressure level: 10 cm: 110 dB.
	Audio	Built-in Microphone: Single-microphone
	Reset Key	Yes
<b>Event</b>	Basic Event	Motion detection (support alarm triggering by specified target types (human and vehicle)),video tampering alarm,exception
	Smart Event	scene change detection,audio exception detection
	Linkage	Upload to FTP/NAS/memory card,notify surveillance center,send email,trigger alarm output,trigger recording,trigger capture,audible warning,strobe light
<b>Deep Learning Function</b>	Face Capture	Yes
	Perimeter Protection	Line crossing, intrusion, region entrance, region exiting Support alarm triggering by specified target types (human and vehicle)
<b>General</b>	Package Dimension	234 mm × 120 mm × 117 mm (9.2" × 4.7" × 4.6")
	Material	Front cover: Metal, body: Metal, bracket: Metal
	Power	12 VDC ± 25%, 1.3 A, max. 15.6 W,Ø5.5 mm coaxial power plug,reverse polarity protection, PoE: IEEE 802.3at, Class 4, max. 19 W
	Weight	Approx. 525 g (1.2 lb.)
	With Package Weight	Approx. 825 g (1.8 lb.)
	Dimension	Ø74.4 mm × 176.3 mm (Ø2.9" × 6.9")
	Storage Conditions	-30 °C to 60 °C (-22 °F to 140 °F). Humidity 95% or less (non-condensing)
	Startup and Operating Conditions	-30 °C to 60 °C (-22 °F to 140 °F). Humidity 95% or less (non-condensing)
	Language	33 languages: English, Russian, Estonian, Bulgarian, Hungarian, Greek, German, Italian, Czech, Slovak, French, Polish, Dutch, Portuguese, Spanish, Romanian, Danish, Swedish, Norwegian, Finnish, Croatian, Slovenian, Serbian, Turkish, Korean, Traditional Chinese, Thai, Vietnamese, Japanese, Latvian, Lithuanian, Portuguese (Brazil), Ukrainian
	General Function	Heartbeat,mirror,flash log,password reset via email,pixel counter,anti-banding
	Flashing Light	White Light
<b>Approval</b>	EMC	CE-EMC: EN 55032:2015+A1:2020, EN 50130-4:2011+A1:2014, EN IEC

		61000-3-2:2019+A1:2021, EN 61000-3-3:2013+A1:2019+A2:2021
	Safety	CB: IEC 62368-1:2014+A11, CE-LVD: EN 62368-1:2014/A11: 2017
	Environment	CE-RoHS: 2011/65/EU, WEEE: 2012/19/EU
	Protection	IP67: IEC 60529-2013, IK10: IEC 62262:2002
	Anti-Corrosion Protection	NEMA 4X (NEMA 250-2018)

## ▪ Typical Application

Hikvision products are classified into three levels according to their anti-corrosion performance. Refer to the following description to choose for your using environment.

This model has MODERATE PROTECTION.

Level	Description
Top-level protection	Hikvision products at this level are equipped for use in areas where professional anti-corrosion protection is a must. Typical application scenarios include coastlines, docks, chemical plants, and more.
Moderate protection	Hikvision products at this level are equipped for use in areas with moderate anti-corrosion demands. Typical application scenarios include coastal areas about 2 kilometers (1.24 miles) away from coastlines, as well as areas affected by acid rain.
No specific protection	Hikvision products at this level are equipped for use in areas where no specific anti-corrosion protection is needed.

## ▪ Available Model

DS-2CD30C7G3-LIUY/SL(2.8mm)/BLACK

DS-2CD30C7G3-LIUY/SL(4mm)(BLACK)

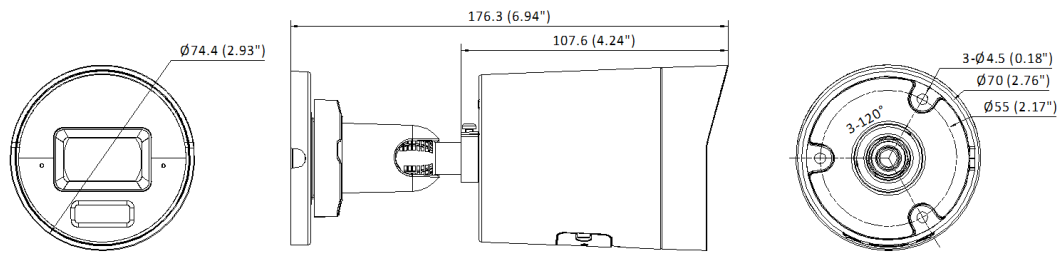
DS-2CD30C7G3-LIUY/SL(6mm)(BLACK)

DS-2CD30C7G3-LIUY/SL(2.8mm)

DS-2CD30C7G3-LIUY/SL(6mm)

DS-2CD30C7G3-LIUY/SL(4mm)




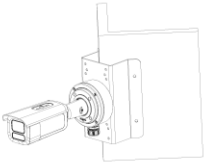
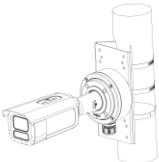
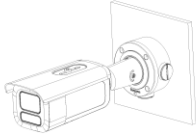
## ▪ Dimension



Unit: mm (inch)

▪ **Accessory**

▪ **Optional**

DS-1276ZJ-SUS Corner mount	DS-1275ZJ-SUS Vertical pole mount	DS-1280ZJ-XS-Y Junction box
		
		

# See Far, Go Further



[www.hikvision.com](http://www.hikvision.com)  
[support@hikvision.com](mailto:support@hikvision.com)

