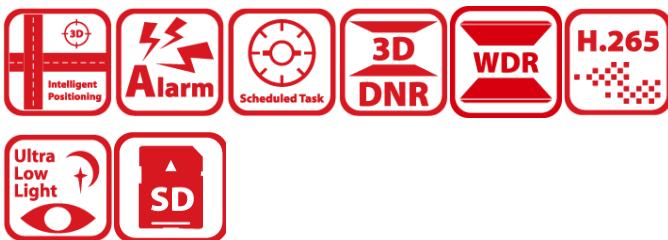


## DS-2DP8A440IXG1-LEWF/416(F0) 16MP 180° Panoramic & PTZ Camera with wiper



Hikvision DS-2DP8A440IXG1-LEWF/416(F0) 180° Stitched 16 MP PanoVu Camera with PTZ is able to capture panoramic images as well as close-up images. The panoramic images are captured by 4 sensors for 180° panorama monitoring. The integration of two cameras can locate the details fast over expansive area. Furthermore, with advanced video analysis and multiple targets tracking algorithms, the PanoVu camera features a wide range of smart functions for multiple targets within the panoramic view, including intrusion detection, line crossing detection, region entrance detection, and region exiting detection. The camera can output alarm signals and link the PTZ for tracking to improve the security efficiency. This product is suitable for the application scenarios that require expansive monitoring and detail capture, such as airports, stations, stadiums, playgrounds, scenic areas, and public squares.

- High quality imaging with 16 MP resolution, up to 6072×2640 @30 fps for panoramic channels
- Excellent low-light performance with DarkFighter 2.0 technology
- 40x optical zoom and 16x digital zoom provide close up views over expansive areas
- Expansive night view with up to 300 m IR distance
- With one click on the panoramic channel, the PTZ channel shows the details automatically
- Continuous and stable manual tracking, auto-tracking, and panorama tracking
- Automatic switch between multiple targets
- Supports 7 alarm inputs, 2 alarm outputs, 1 audio input, and 1 audio output
- Support wipers for panoramic and PTZ lenses

## ▪ Specification

Camera	
Image Sensor	[Panoramic channel]: 1/1.8" progressive scan CMOS, [PTZ channel]: 1/1.8" progressive scan CMOS
Max. Resolution	6072 × 2640
Min. Illumination	[Panoramic channel] Color: 0.0005 Lux (F1.0, AGC ON), B/W: 0.0001 Lux (F1.0, AGC ON); [PTZ channel]: 0.0005 Lux (F1.2, AGC ON), B/W: 0.0001 Lux (F1.2, AGC ON), 0 Lux with IR
Shutter Speed	1/30 s to 1/30000 s
Day & Night	IR cut filter
Zoom	[PTZ channel] 40x optical, 16x digital
Slow Shutter	Yes
Lens	
Focal Length	[Panoramic channel] 2 mm, [PTZ channel] 6 to 240 mm
FOV	[Panoramic channel] Horizontal FOV 180°, vertical FOV 110° ; [PTZ channel] Horizontal FOV 59.1° to 2°, vertical FOV 34.1° to 1.1°, diagonal FOV 67.1° to 2.3°
Focus	Auto, semi-auto, manual, rapid focus
Aperture	[Panoramic channel] Max. F1.0, [PTZ channel] Max. F1.2
Zoom Speed	[PTZ channel] Approx. 5.6 s
Illuminator	
Supplement Light Type	Laser
Supplement Light Range	Laser distance: up to 300 m
Smart Supplement Light	Yes
PTZ	
Movement Range (Pan)	360°
Movement Range (Tilt)	-15° to 90° (auto flip)
Pan Speed	[Power adaptor]: Pan speed: configurable from 0.1° to 500°/s, preset speed: 500°/s [POE]: Pan speed: configurable from 0.1° to 210°/s, preset speed: 240°/s
Proportional Pan	[Panoramic channel]: no; [PTZ channel]: yes
Tilt Speed	[Power adaptor]: Tilt speed: configurable from 0.1° to 350°/s, preset speed 350°/s [POE]: Tilt speed: configurable from 0.1° to 150°/s, preset speed 200°/s
Presets	300
Preset Freezing	Yes
Patrol Scan	8 patrols, up to 32 presets for each patrol
Pattern Scan	4 pattern scans, record time over 10 minutes for each scan
Park Action	Preset, pattern scan, patrol scan, auto scan, tilt scan, random scan, frame scan, panorama scan
3D Positioning	Yes
PTZ Status Display	Yes
Scheduled Task	Preset, pattern scan, patrol scan, auto scan, tilt scan, random scan, frame scan, panorama scan, dome reboot, dome adjust, aux output
Power-off Memory	Yes

Video	
Main Stream	[Panoramic channel] : 50Hz: 25fps (6072x2640,5520x2400, 4096x1800,3840x1680, 2784x1200) 60Hz: 24fps (6072x2640 , 5520x2400, 4096x1800 , 3840x1680, 2784x1200) [PTZ channel]:50Hz:25fps (2688x1520 , 2560x1440,1920x1080,1280x960,1280x720) 60Hz:30fps ( 2688x1520 , 2560x1440,1920x1080,1280x960,1280x720)
Sub-Stream	[Panoramic channel] : 50Hz: 25fps (2048x896, 1280x560, 704x320) ; 60Hz: 30fps (2048x896, 1280x560, 704x320) [PTZ channel]:50Hz: 25fps(704x576,640x480,352x288) 60Hz:30fps(704x480,640x480,352x240)
Third Stream	[Panoramic channel] No, [PTZ channel] 50 Hz: 25 fps (1920 × 1080, 1280 × 960, 1280 × 720, 704 × 576, 640 × 480, 352 × 240) 60 Hz: 30 fps (1920 × 1080, 1280 × 960, 1280 × 720, 704 × 480, 640 × 480, 352 × 240)
Video Compression	Main stream: H.265+/H.265/H.264+/H.264 Sub-stream: H.265/H.264/MJPEG Third stream: H.265/H.264/MJPEG
Audio	
Audio Compression	G.711alaw,G.711ulaw,G.722.1, G.726, MP2L2, AAC, PCM
Audio Sampling Rate	PCM: 8 kHz, 16 kHz, 32 kHz, 48 kHz; MP2L2: 16 kHz, 32 kHz, 48 kHz; AAC: 16 kHz, 32 kHz, 48 kHz
Network	
Protocols	SSL/TLS,NTP,HTTPS,SNMP,WebSocket,TCP/IP,QoS,PPPoE,IPv6,UDP,DNS,ICMP,802.1X,R TCP,DDNS,RTP,IPv4,RTSP,FTP,WebSockets,IGMP,SFTP,UPnP,DHCP,HTTP,SMTP
Simultaneous Live View	Up to 20 channels
API	ISAPI,EZVIZ,Open Network Video Interface,ISUP,OTAP,SDK
User/Host	Up to 32 users. 3 user levels: administrator, operator, and user
Security	Authenticated username and password, MAC address binding, HTTPS encryption, 802.1X authenticated access, IP address filter
Network Storage	NAS (NFS, SMB/CIFS)
Client	Hik-Connect,iVMS-4200
Web Browser	IE10-11, Chrome 57+, Firefox 52+, Safari 12+
Image	
Image Parameters Switch	Yes
Image Settings	Saturation, brightness, contrast, sharpness, gain, and white balance adjustable by client software or web browser
Day/Night Switch	Day, night, auto, scheduled-switch
Wide Dynamic Range (WDR)	[Panoramic channel] no, [PTZ channel] 120 dB
SNR	≥ 55 dB
Defog	[Panoramic channel]: no; [PTZ channel]: optical defog
Image Stabilization	EIS (Built-in gyroscope to improve EIS performance)
Image Enhancement	BLC, HLC, 3D DNR
Privacy Mask	Programmable polygon privacy masks (8 for panoramic channel, 24 for PTZ channel), mask color or mosaic configurable

Regional Focus	Yes
Regional Exposure	Yes
<b>Interface</b>	
Ethernet Interface	1 RJ45 10M/100M/1000M self-adaptive Ethernet port
On-board Storage	Built-in memory card slot, support microSD/microSDHC/microSDXC card, up to 1024 GB
Audio	1 input (line in), max. input amplitude: 2-2.4 vpp, input impedance: 1 K $\Omega$ $\pm$ 10%; 1 output (line out), line level, output impedance: 600 $\Omega$
Alarm	7 alarm inputs, 2 alarm outputs
RS-485	1 RS-485 (Half duplex, HIKVISION, Pelco-P, Pelco-D, self-adaptive)
Reset	Yes
Fiber Optical	1 FC interface, built-in fiber module, 1000M, TX1310/RX1550 nm wavelength, single module fiber, up to 20 km transmission distance
<b>Event</b>	
Smart Event	loitering detection, audio exception detection, intrusion detection, fast moving detection, Line crossing detection, region entrance detection, unattended baggage detection, parking detection, object removal detection, region exiting detection, people gathering detection
Linkage	Upload to FTP/NAS/memory card, notify surveillance center, send email, trigger alarm output, trigger recording, and PTZ actions (such as preset, patrol scan, pattern scan)
Smart Tracking	Manual tracking, auto-tracking, panorama tracking. Support patrol tracking among multiple detection scenes
<b>Deep Learning Function</b>	
People Density	[Panoramic channel]: yes, [PTZ channel]: no
Multi-Target-Type Detection	[PTZ channel] Supports simultaneous detection and capture of human body, face and vehicle
Congestion Alarm	Yes
<b>General</b>	
Power	36 VDC $\pm$ 20%, max. 120 W, including max. 12 W for IR, PoE(802.3bt) 42.5-57V  2.12A
Dimension	$\varnothing$ 427.6 mm $\times$ 425.9 mm ( $\varnothing$ 16.8" $\times$ 16.7")
Weight	14.6kg
Material	ADC12
Operating Condition	-40°C to 70°C (-40°F to 158 °F). Humidity 90% or less (non-condensing)
Wiper	Yes
Demist	Yes
<b>Approval</b>	
Safety	CB (IEC 62368-1: 2014 + A11), CE-LVD (EN 62368-1: 2014/A11: 2017)
Environment	CE-RoHS (2011/65/EU); WEEE (2012/19/EU); Reach (Regulation (EC) No 1907/2006)
Protection	IP67 Standard, Lightning Protection, Surge Protection and Voltage Transient Protection, $\pm$ 6kV Line to Gnd, $\pm$ 3kV Line to Line, IEC61000-4-5, IK10

## ▪ DORI

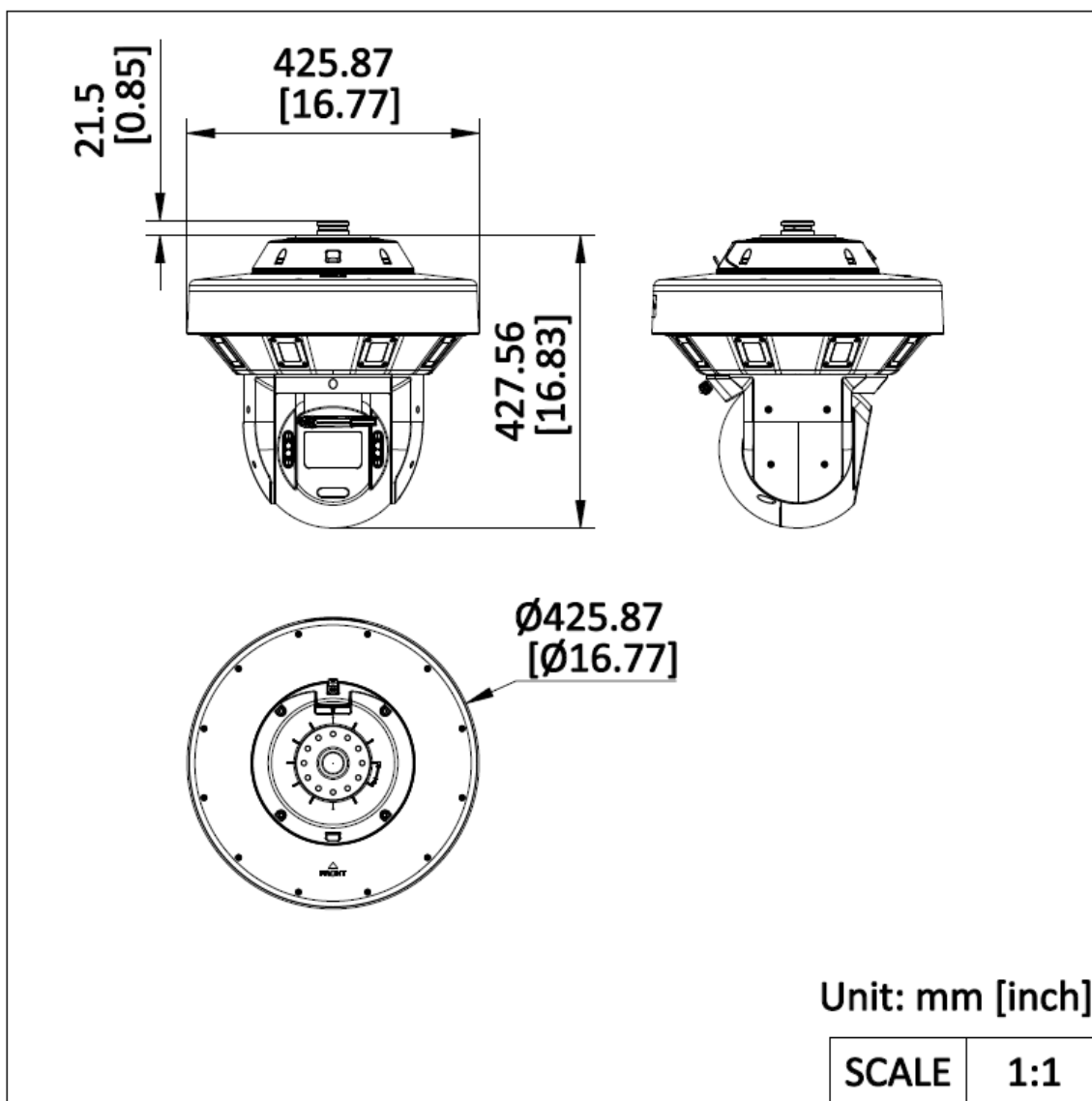
The DORI (detect, observe, recognize, identify) distance gives the general idea of the camera ability to distinguish persons or objects within its field of view. It is calculated based on the camera sensor specification and the criteria given by EN 62676-4: 2015.

DORI	Detect	Observe	Recognize	Identify
Definition	25 px/m	63 px/m	125 px/m	250 px/m
[Panoramic channel] Distance	38.6 m (126.6 ft.)	15.3 m (50.2 ft.)	7.7 m (25.3 ft.)	3.9 m (12.8 ft.)
[PTZ channel] Distance (Tele)	4137.9 m (13575.8 ft.)	1642.0 m (5387.1 ft.)	827.6 m (2715.2 ft.)	413.8 m (1357.6 ft.)

▪ **Available Model**

DS-2DP8A440IXG1-LEWF/416(F0)

▪ **Dimension**



▪ **Accessory**

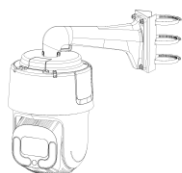
▪ **Optional**

DS-1684ZJ-P	DS-4614ZJ-PA	DS-4604ZJ-PA	DS-2115ZJ-P
-------------	--------------	--------------	-------------



▪ Installation Methods

Vertical Pole  
Mounting  
DS-1684ZJ-P+DS-1684  
ZJ-P



# See Far, Go Further



[www.hikvision.com](http://www.hikvision.com)  
[support@hikvision.com](mailto:support@hikvision.com)

