

DS-D4018CW-2FQ
DS-D4018CW-2FQ/A 600*337.5/mm



600 × 337.5 Indoor LED

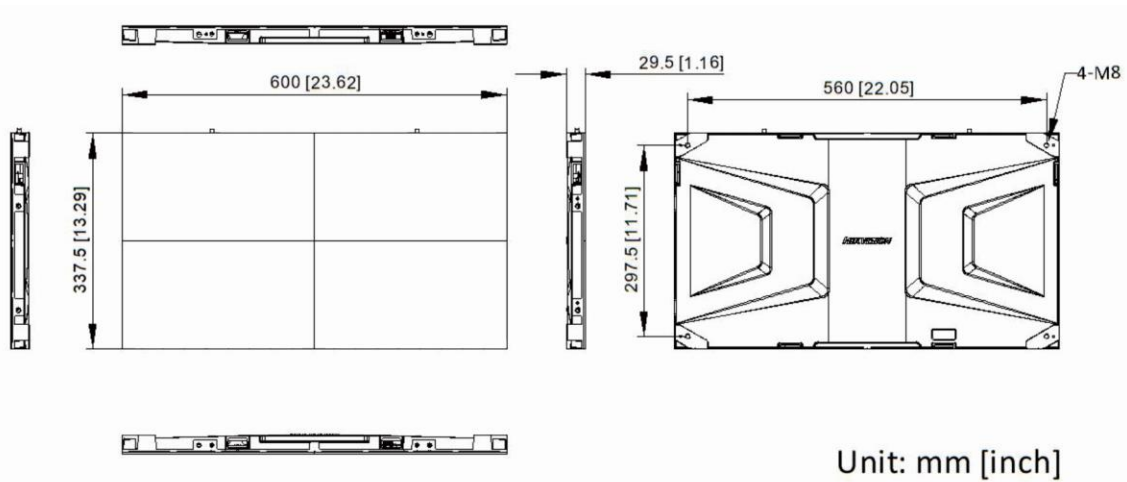
- The display and control system is wholly self-developed, which is stable, safety and controllable.
- Highly integrated and compatible cabinet with simple and lightweight design.
- Easy to disassemble lamp board, power supply, and receiving card on the front side with high-precision aluminum die casting cabinet design.
- The solders are made of lead-free and non-toxic solder paste materials, which will not cause harm to human body and the environment.
- Automatically identify high-brightness and harsh picture details and adjust the brightness of the partial zones with dynamic engine algorithms adopted. The image is soft and comfortable to view and its quality is enhanced when unnecessary power consumption is reduced.
- Automatically remove moisture to protect lamp board from water damage when the device is kept in a humid environment or left unused for a long time.
- Support multiple ways to adjust screen parameters via remote control, tablet, and platforms.
- The packaging adopts recyclable materials, and the whole process of production achieves green and low-carbon standards.
- Please note: Module and cabinet structure should be separately ordered.

▪ Specification

| Product Model | |
|-------------------------------|----------------------------------------------------------|
| Product Model | DS-D4018CW-2FQ |
| Product Type | |
| Product Type | Small Pixel Pitch Indoor Full-color LED Display |
| Cabinet | |
| Pixel Configuration | SMD Triad LED (with glue) |
| Pixel Pitch Category | P1.8 |
| Pixel Pitch | 1.875 mm |
| Pixel Density | 284444 dots/m ² |
| Modules Component | 2 × 2 |
| Dimensions (W × H × D) | 600 mm × 337.5 mm × 29.5 mm (23.622" × 13.287" × 1.161") |
| Resolution | 320 × 180 |
| Area | 0.2025 m ² |
| Weight | 3.4 kg (7.5 lb.) |
| Cabinet Material | Aluminium die casting |
| Maintenance Method | Front maintenance for all components |
| Module | |
| Module Resolution | 160 × 90 |
| Display | |
| White Balance Brightness | 600cd/m ² |
| Color Temperature | 3000-10000 K adjustable |
| Viewing Angle | 160°(H)/160°(V) |
| Contrast Ratio | 5000:1 |
| Color Uniformity | ≤ ± 0.003Cx , Cy |
| Brightness Uniformity | ≥ 97% |
| Processing Performance | |
| Driving Method | Constant current driving |
| Frame Frequency | 60 Hz |
| Refresh Rate | Up to 3840 Hz |
| Grey Level | Up to 16 bit |
| Power | |
| Max. Consumption | ≤ 390 W/m ² |
| Average Consumption | < 130 W/m ² |
| Input Voltage | 100~240 VAC ± 10% |
| Working Environment | |
| Working Temperature | 10 °C to 40 °C (14 °F to 104 °F) |
| Working Humidity | 10% RH to 60% RH (without condensation) |
| Storage Temperature | -20 °C to 60 °C (-4 °F to 140 °F) |
| Storage Humidity | 10% RH to 85% RH (without condensation) |
| General | |
| Product Dimension (W × H × D) | Module: 4-in-1(443X360X52 mm) , 20-in-1 (471X378X266 mm) |

| | |
|-----------------|------------------------------------------------------------------------------------------------------------------------------------------------------|
| Packing List | Regulatory Compliance and Safety Information × 1 Connecting screws, light beads, driver IC, iron sheets |
| Gross Weight | Module: 4-in-1 (1.744 kg), 20-in-1 (8.72 kg) ; Structure: 1-in-1 (2.8 kg) , 5-in-1 (14 kg) |
| Net Weight | Module: 4-in-1 (1.224 kg), 20-in-1 (6.120 kg) Structure: 1-in-1 (2.6 kg) , 5-in-1 (13 kg) |
| Bracket | |
| Modular Bracket | standard bracket:DP-D40XXCB22-1X1-Q0.3-NW-Q0.3-HC 1*1;DP-D40XXCB22-2X2-Q0.8-NW-Q0.8-HC 2*2,ultra-thin bracket:DP-D40XXCB22-1X1-Q0.2-NW-Q0.2-ZF |

▪ **Dimension**



Unit: mm [inch]

▪ **Accessory**

▪ **Included**

| DS-1NP6UEC0 | DS-D40W-2F/PC | DS-D40W-2F | DS-D40W-2F/HU B |
|-------------|---------------|------------|--------------------|
| | | | |

See Far, Go Further



www.hikvision.com
support@hikvision.com

