

DS-3WF5000-SI-5ACG/2P
5GHz 867Mbps 5KM Wireless Bridge Kit



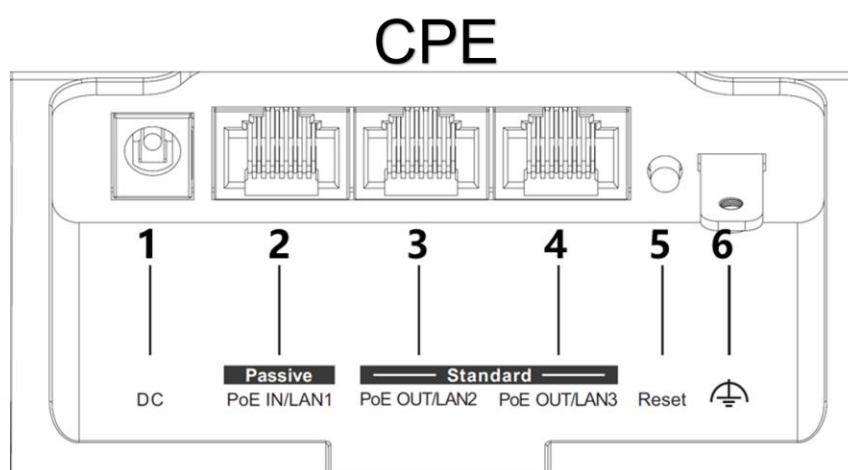
- Up to 5 km wireless transmission distance
- 867 Mbps 802.11ac wireless bridge
- Built-in 16 dBi 2 x 2 MIMO antenna
- Visualized topology management
- Standard PoE Input & Output
- Plug and Play
- Easy adjustment with universal joint bracket

▪ Specification

General	
Product Dimensions (W × H × D)	134.21 mm × 235.00 mm × 58.73 mm (5.28" × 9.25" × 2.31")
Package Dimensions (W × H × D)	341 mm × 360 mm × 100 mm (13.43" × 14.17" × 3.94")
Net Weight	0.54 kg (1.19 lb) per device
Gross Weight	2.76 kg (6.08 lb)
Packing List	Wireless Bridge x 2, PoE Adapter (48.0V, 1.0A) x 2, Power Cord x 2, Universal Joint Nut x 2, Universal Joint x 2, Mounting Bracket x 2, Screw Pack x 2, Hose Clamp x 2, Quick Start Guide x 1, Regulatory Compliance and Safety Information x 1
Packing Method	Packing in pairs
Working Temperature	-30 °C to 65 °C (-22 °F to 149 °F)
Working Humidity	5% to 95% (no condensation)
Storage Temperature	-40 °C to 80 °C (-40 °F to 176 °F)
Storage Humidity	5% to 95% (no condensation)
Installation Mode	Wall Mounting, Pole Mounting
Ingress Protection	IP55
Power Consumption	3.5 W for typical (1-ch 2MP IPC), Max. 7.7 W
Wireless Parameter	
Max. Transmission Rate of Air Interface	≤ 867 Mbps
Wireless Standard	IEEE 802.11/a/n/ac
Working Frequency Band	5150 MHz ~ 5250 MHz, 5250 MHz ~ 5350 MHz, 5470 MHz ~ 5725 MHz, 5725 MHz ~ 5825 MHz
Antenna Gain	16 dBi
Antenna Angle	(H) Beamwidth [3 dB] 32° (V), Beamwidth [3 dB] 17°
Transmitting Power	29 dBm @11ac 80MHz MCS0 (Note: Transmitting power may vary with local regulations.)
Receiving Sensitivity	-88 ±2dBm@AC80-MCS0
Throughput Rate	PTP:290 Mbps/1 KM(AC80), 270 Mbps/3 KM(AC80), 250 Mbps/5 KM(AC80); PTMP(1 to 8): 150 Mbps/5KM(AC80)
Hardware Parameter	
Network Interface	3 × 100/1000 Mbps RJ45 ports
LED Indicator	Power indicator, LAN indicator, Signal intensity indicator
Reset	Hardware resetting button
Power Supply	48V PoE/12~24V DC; Check the physical interface image below for more details.
Software Function	
Application Function	IFM, IPM, DFS, TPC
Channel Width	20/40/80 MHz
Channel Selection	Auto/manual selection
Security Mode	WPA2-PSK
Security Mechanism	Wireless network name hidden
Network Protocol	NTP (network time synchronization), SADP (auto search for IP address), HTTPS/HTTP (web management), SSH (debugging)
Management Method	HCP, Web, iVMS-4200, HPP
System Log	Syslog, Control center information
Upgrade	Web, iVMS-4200, HCP, HPP

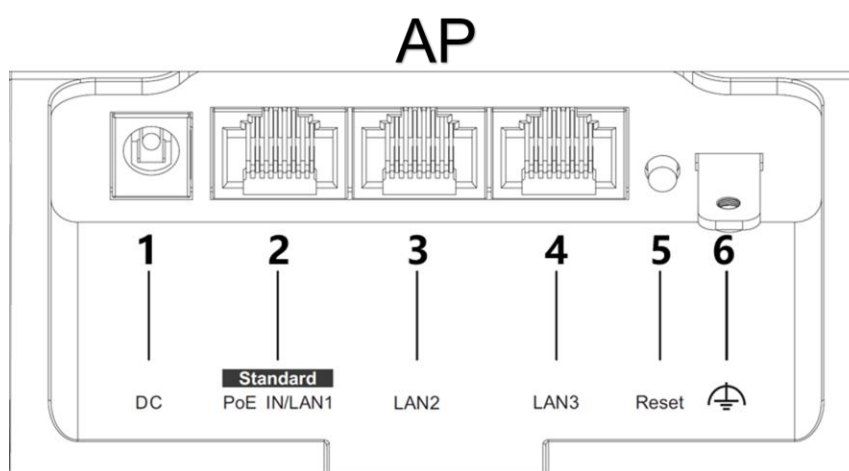
HPP	<p>Support one-click activation and remote management via Hik-Partner Pro. Functions supported:</p> <ol style="list-style-type: none"> 1. Reboot device 2. Restore device 3. Display the topology information 4. Display the connection status between AP and CPEs, including signal intensity, background noise, sending & receiving rate. 5. Configure wireless settings, including working mode, SSID, password, channel, channel bandwidth, transmitting power 6. Bridge alignment 7. Spectrum scanning 8. PoE output management
PoE Power Supply	
PoE Port	AP: LAN1 802.3af/at PoE IN; CPE: LAN1 passive PoE IN, LAN2 802.3af PoE OUT, LAN3 802.3af PoE OUT
Max. Port Power	28 W
PoE Power Budget	40 W
PoE Distance	100 m
Approval	
EMC	CE-EMC(EN 55032, EN 61000-3-3, EN IEC 61000-3-2, EN 50130-4, EN 55035)
Safety	CB (IEC 62368-1), CE-LVD (EN 62368-1)
Chemistry	CE-RoHS (2011/65/EU), WEEE (2012/19/EU), Reach (Regulation (EC) No.1907/2006)
Radio	EN 301 893, EN 300 440, EN 301 489-3, EN 301 489-17, EN 301 489-1, EN 61000-3-3, EN IEC 61000-3-2, EN IEC 62311

Physical Interface



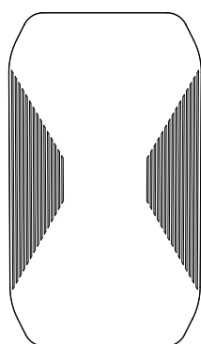
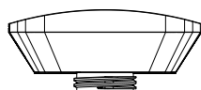
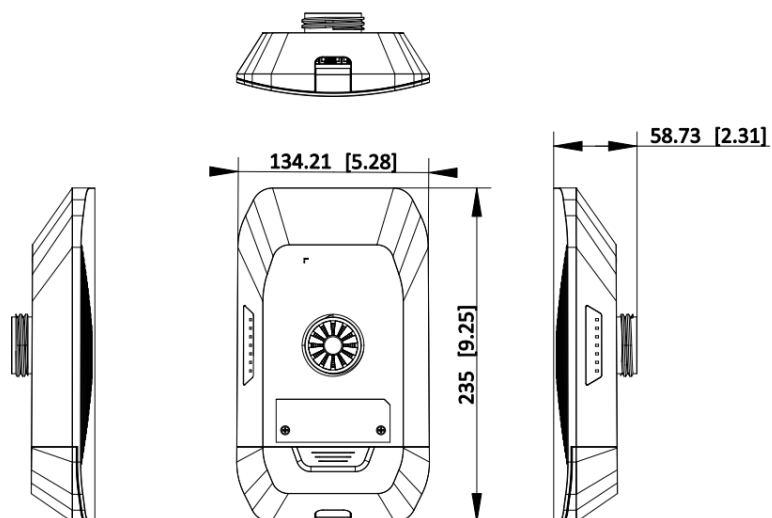
No.	Interface/Button	Description
1	DC	Support DC 12~24V power supply. PoE OUT is not available when the device is powered by DC port.
2	Passive PoE IN/LAN 1	The 10/100/1000 Mbps adaptive RJ45 port, also can be used as a passive PoE input port.
3	Standard PoE OUT/LAN 2	The 10/100/1000 Mbps adaptive RJ45

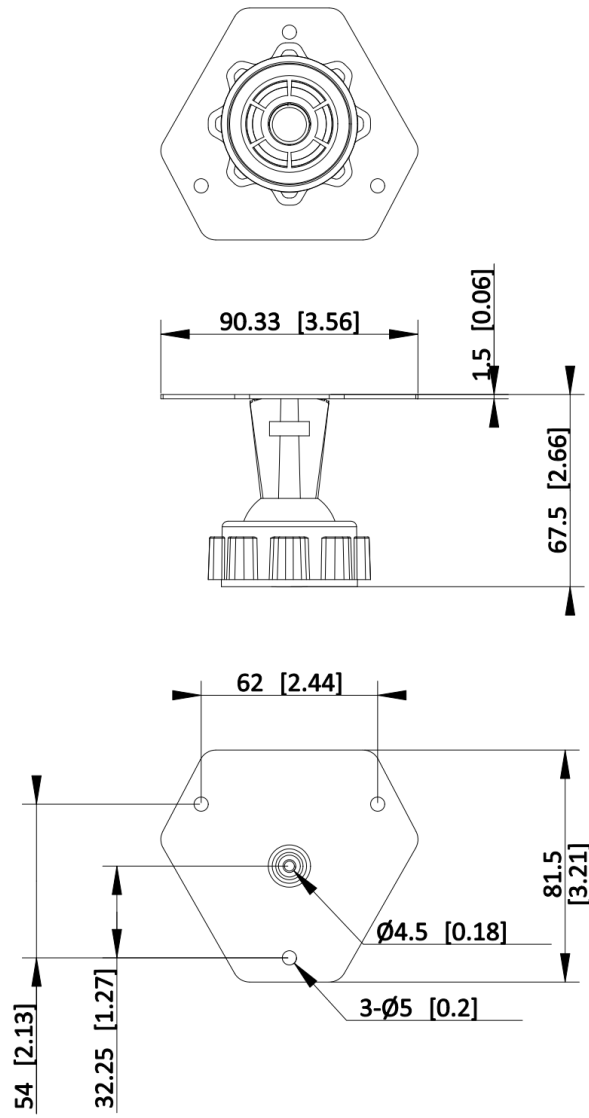
		port, also can be used as a standard PoE output port.
4	Standard PoE OUT/LAN 3	The 10/100/1000 Mbps adaptive RJ45 port, also can be used as a standard PoE output port.
5	Reset	Long press for 4 seconds to restore to factory settings.
6	Grounding terminal	Connect ground wire to discharge static electricity and protect equipment from lightning or current fluctuations.



No.	Interface/Button	Description
1	DC	Support DC 12~24V power supply. PoE OUT is not available when the device is powered by DC port.
2	Standard PoE IN/LAN 1	The 10/100/1000 Mbps adaptive RJ45 port, also can be used as a standard PoE input port.
3	LAN2	The 10/100/1000 Mbps adaptive RJ45 port.
4	LAN3	The 10/100/1000 Mbps adaptive RJ45 port.
5	Reset	Long press for 4 seconds to restore to factory settings.
6	Connect ground wire to discharge static electricity and protect equipment from lightning or current fluctuations.	Connect ground wire to discharge static electricity and protect equipment from lightning or current fluctuations.

▪ Dimension





See Far, Go Further



www.hikvision.com
support@hikvision.com

