

DS-D4007BW-2FB**DS-D4007BW-2FB 300*168.75mm LED Module**

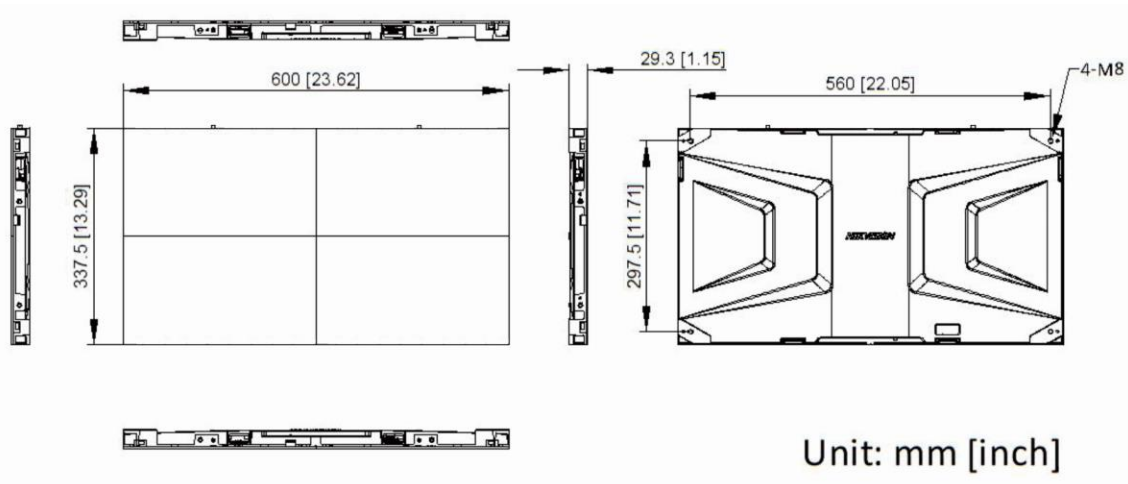
- The display and control system is wholly self-developed, which is stable, safety and controllable.
- Highly integrated and compatible cabinet with simple and lightweight design.
- Easy to disassemble lamp board, power supply, and receiving card on the front side with high-precision aluminum die casting cabinet design.
- Automatically identify high-brightness and harsh picture details and adjust the brightness of the partial zones with dynamic engine algorithms adopted. The image is soft and comfortable to view and its quality is enhanced when unnecessary power consumption is reduced.
- The packaging adopts recyclable materials, and the whole process of production achieves green and low-carbon standards.
- Please note: Module and cabinet structure should be separately ordered.

▪ Specification

Product Model	
Product Model	DS-D4007BW-2FB/A
Product Type	
Product Type	Fine Pixel Pitch Indoor Full-color LED Display
Cabinet	
Pixel Configuration	Flip-chip COB
Pixel Pitch	0.78mm
Pixel Pitch Category	P0.7
Pixel Density	1638400 dots/m ²
Modules Component	2 × 2
Dimensions (W × H × D)	600 (W) × 337.5 (H) × 29.3(D) mm ;
Resolution	768*432
Area	0.2025 m ²
Weight	3.4 kg
Cabinet Material	Aluminium die casting
Maintenance Method	Front maintenance for all components
Module	
Module Resolution	768*432
Display	
White Balance Brightness	600 cd/m ²
Color Temperature	1700 K to 15000 K adjustable
Viewing Angle	160°(H)/160°(V)
Contrast Ratio	6000:1
Color Uniformity	≤ ± 0.003Cx , Cy
Brightness Uniformity	≥ 97%
Processing Performance	
Driving Method	Constant current driving
Frame Frequency	60 Hz
Refresh Rate	3840 Hz
Grey Level	18 bit
Power	
Max. Consumption	≤420 W/m ² (600nits)
Average Consumption	≤140W/m ²
Input Voltage	100 to 240 VAC ± 10%
Working Environment	
Working Temperature	-10 °C to 40 °C (14 °F to 104 °F)
Working Humidity	10% to 90% RH (without condensation)
Storage Temperature	-20 °C to 60 °C (-4 °F to 140 °F)
Storage Humidity	10% to 90% RH (without condensation)

General	
Packing List	Regulatory Compliance and Safety Information × 1 Connecting screws, driver IC, iron sheets
Bracket	
Modular Bracket	standard bracket:DP-D40XXCB22-1X1-Q0.3-NW-Q0.3-HC 1*1;DP-D40XXCB22-2X2-Q0.8-NW-Q0.8-HC 2*2,ultra-thin bracket:DP-D40XXCB22-1X1-Q0.2-NW-Q0.2-ZF

Dimension



Unit: mm [inch]

Accessory

Optional

DS-D40W-2F/PC	DS-1NP6UEC0	DS-D40W-2F	DS-D40W-2F/HUB

See Far, Go Further



www.hikvision.com
support@hikvision.com

