

DS-2SK6C425MWG1/LM-L/28(F1F1)**Omni 6C Series 4 MP 25X DarkFighter Network Speed Dome**

Hikvision has been dedicated to develop products with security since established. Hikvision always follows security by design principle and has adopted many methods of security technologies into our product development lifecycle, including terminal security, data security, application security, network security, and privacy protection. In the meantime, the security technologies used by Hikvision are all in compliance with local applicable laws and safety regulations. These security measures could enhance product's cyber security defense capability and protect your devices as well as your data from malicious cyber attacks.

- Captures two bullet channels and great details at the same time
- High quality imaging with 4 MP resolution for bullet channels
- Excellent low-light performance with Powered by DarkFighter 2.0 technology
- Bullet channel pan adjustable from 0° to 190°, tilt adjustable from 12.5° to 22.5°
- Secures an expansive area with 25 × optical zoom and 16 × digital zoom
- Expansive night view with up to 20 m White light distance and 200 m IR distance
- Supports deep learning functions
- Dedicated large scale AI model for perimeter protection
- Water and dust resistant (IP67) and vandal resistant (IK10) excluding glass window

▪ Specification

| Camera | |
|------------------------|--|
| Image Sensor | [Panoramic channel] 1/1.8" Progressive Scan CMOS, [PTZ channel] 1/2.8" Progressive Scan CMOS |
| Shutter Speed | 1 s to 1/30000 s |
| Min. Illumination | [Panoramic channel] Color: 0.0005 Lux @ (F1.0, AGC ON), B/W: 0.0001 Lux @ (F1.0, AGC ON), 0 Lux with light, [PTZ channel] Color: 0.005 Lux @ (F1.6, AGC ON), B/W: 0.001 Lux @ (F1.6, AGC ON), 0 lux with IR |
| Slow Shutter | Yes |
| Day & Night | [Panoramic channel] No, [PTZ channel] Auto,Night,Schedule,Day |
| Zoom | [PTZ channel] 25 × optical, 16 × digital |
| Lens | |
| FOV | [PTZ channel] horizontal field of view: 57.7° to 2.9°, vertical field of view: 33.2° to 1.6°, diagonal field of view: 65.2° to 3.3° |
| Focus | Auto,semi-auto>manual |
| Focal Length | [Panoramic channel] 4 mm, [PTZ channel] 5.3 to 110 mm |
| Aperture | [Panoramic channel] F1.0, [PTZ channel] F1.6 |
| Illuminator | |
| Supplement Light Range | [Panoramic channel] white light: up to 15 m [PTZ channel] white light: up to 20 m; IR up to 200 m |
| Smart Supplement Light | Yes |
| PTZ | |
| Movement Range (Pan) | [Panoramic channel] 0° to 190°, [PTZ channel] 0° to 360° |
| Movement Range (Tilt) | [Panoramic channel] 12.5° to 22.5°, [PTZ channel] -10° to 90° |
| Pan Speed | [Panoramic channel] pan speed: configurable from 0.1° to 20°/s, preset speed: 20°/s,[PTZ channel] pan speed: configurable from 0.1° to 210°/s, preset speed: 280°/s |
| Tilt Speed | [Panoramic channel] tilt speed: configurable from 0.1° to 20°/s, preset speed 20°/s,[PTZ channel] tilt speed: configurable from 0.1° to 150°/s, preset speed 250°/s |
| Proportional Pan | [Panoramic channel] No, [PTZ channel] Yes |
| Presets | 300 |
| Patrol Scan | 8 patrols, up to 32 presets for each patrol |
| Pattern Scan | 4 pattern scans, record time over 10 minutes for each scan |
| Power-off Memory | Yes |
| Park Action | Preset,pattern scan,patrol scan,auto scan,tilt scan,random scan,frame scan,panorama scan |
| 3D Positioning | Yes |
| PTZ Status Display | Yes |
| Preset Freezing | Yes |
| Scheduled Task | Preset,pattern scan,patrol scan,auto scan,tilt scan,random scan,frame scan,panorama scan,dome reboot,dome adjust,aux output |

| Video | |
|-----------------------------|---|
| Main Stream | [Panoramic channel] 50Hz:25fps (2688x1520,2560x1440,1920x1080,1280x960,1280x720) 60Hz:30fps (2688x1520 , 2560x1440,1920x1080,1280x960,1280x720) [PTZ channel] 50Hz:25fps (2688x1520,2560x1440,1920x1080,1280x960,1280x720) 60Hz:30fps (2688x1520 , 2560x1440,1920x1080,1280x960,1280x720) |
| Sub-Stream | [PTZ channel] 50 Hz: 25 fps (704x576,640x480,352x288), 60 Hz: 30 fps (704x480,640x480,352x240),[Panoramic channel] 50 Hz: 25 fps (1200 × 536、960x432), 60 Hz: 30 fps (1200 × 536、960x432) |
| Third Stream | [PTZ channel] 50 Hz: 25 fps (1920 × 1080, 1280 × 960, 1280 × 720, 704 × 576, 640 × 480, 352 × 288), 60 Hz: 30 fps (1920 × 1080, 1280 × 960, 1280 × 720, 704 × 576, 640 × 480, 352 × 288),[Panoramic channel] No |
| Video Compression | Main stream: H.265+/H.265/H.264+/H.264, Sub-stream: H.265/H.264/MJPEG, Third stream: H.265/H.264/MJPEG |
| Video Bit Rate | 32 Kbps to 16 Mbps |
| H.264 Type | Baseline profile,Main profile,High profile |
| H.265 Type | Main profile |
| Scalable Video Coding (SVC) | H.264 and H.265 encoding |
| Audio | |
| Audio Compression | G.711,G.722.1,G.726,MP2L2,PCM,AAC-LC,MP3 |
| Audio Sampling Rate | 8 kHz,16 kHz,32 kHz,48 kHz |
| Network | |
| API | ISAPI,SDK,ISUP |
| Network Storage | NAS (NFS, SMB/CIFS),auto network replenishment (ANR) |
| Protocols | IPv4/IPv6,HTTP,HTTPS,802.1X,QoS,SMTP,UPnP,SNMP,DNS,DDNS,NTP,RTSP,RTCP,RTP,T CP/IP,UDP,IGMP,ICMP,DHCP,PPPoE,Bonjour,FTP |
| Simultaneous Live View | Up to 20 channels |
| User/Host | Up to 32 users.3 user levels: administrator, operator, and user |
| Security | Password protection,complicated password,HTTPS encryption,IP address filter,802.1X authentication (EAP-TLS, EAP-LEAP, EAP-MD5),watermark,host authentication (MAC address),TPM 2.0 (FIPS 140-2 level 2) |
| Client | iVMS-4200,HikCentral Pro,Hik-Connect |
| Web Browser | Plug-in required live view: IE8+ Plug-in free live view: Chrome 57.0+, Firefox 52.0+, Safari 11+ Local service: Chrome 41.0+, Firefox 30.0+ |
| Image | |
| Wide Dynamic Range (WDR) | 120 dB |
| Day/Night Switch | Day,night,auto,schedule |
| Image Enhancement | HLC,3D DNR |
| Privacy Mask | [Panoramic channel] 8 programmable polygon privacy masks, [PTZ channel] 24 programmable polygon privacy masks;mask color or mosaic configurable |
| Defog | Optical defog |
| Image Stabilization | EIS |
| Regional Exposure | Yes |

| | |
|-----------------------------------|--|
| Regional Focus | [Panoramic channel] No, [PTZ channel] Yes |
| Image Settings | Saturation, brightness, contrast, sharpness, gain, and white balance adjustable by client software or web browser |
| Image Parameters Switch | Yes |
| SNR | ≥ 52 dB |
| Supplement Detection | |
| Satellite Positioning | No |
| Gyroscope | Yes |
| Compass | No |
| Interface | |
| Ethernet Interface | 1 RJ45 100M self-adaptive Ethernet port |
| On-board Storage | Built-in memory card slot, support microSD/microSDHC/microSDXC card, up to 1 TB . |
| Alarm | 7 input(s), 2 output(s) |
| Audio | 1 input (line in), max. input amplitude: 2-2.4 vpp, input impedance: 1 KΩ ± 10%, 1 output (line out), line level, output impedance: 600 Ω |
| RS-485 | 1 RS-485 (Half duplex, HIKVISION, Pelco-P, Pelco-D, self-adaptive) |
| Reset | Yes |
| Large Models | |
| Perimeter Protection | Line crossing, intrusion, region entrance, region exiting Supports alarm triggering by specified target types (human and vehicle) Supports combined event alarm triggering Perimeter Protection Dedicated Large scale AI model for perimeter protection, reduce false alarms by 90% compared to conventional AI cameras |
| Event | |
| Basic Event | [PTZ channel & panoramic channel] alarm input and output, exception, [PTZ channel] motion detection, video tampering alarm |
| Smart Event | Line crossing detection, intrusion detection, region entrance detection, region exiting detection, unattended baggage detection, object removal detection, loitering detection, people gathering detection, fast moving detection, parking detection |
| Linkage | Upload to FTP/NAS/memory card, white light flashing, send email, notify surveillance center, audible warning, trigger alarm output |
| Deep Learning Function | |
| Intelligent Transportation System | Traffic Violation Evidence Collection: illegal parking, reverse driving, over lane line detection, continuous lane change, motor vehicle on non-motor vehicle lane, U-turn, slalom driving, illegal lane change, and queue jumping. Traffic Data Collection: Traffic Flow. Road incident detection: (1) Road incident detection for highways and elevated roads: fallen object detection, pedestrian detection, congestion detection, roadblock detection, construction detection, traffic accident detection, fog detection, smoke detection, and fire detection; (2) Road incident detection for urban roads: congestion detection, roadblock detection, construction detection, traffic accident detection, fog detection, smoke detection, and fire detection Supports general highway incident detection : supports pothole detection, crack detection, and alligator cracking detection |
| AcuSeek | This function requires use with AcuSeek NVR/Servers |

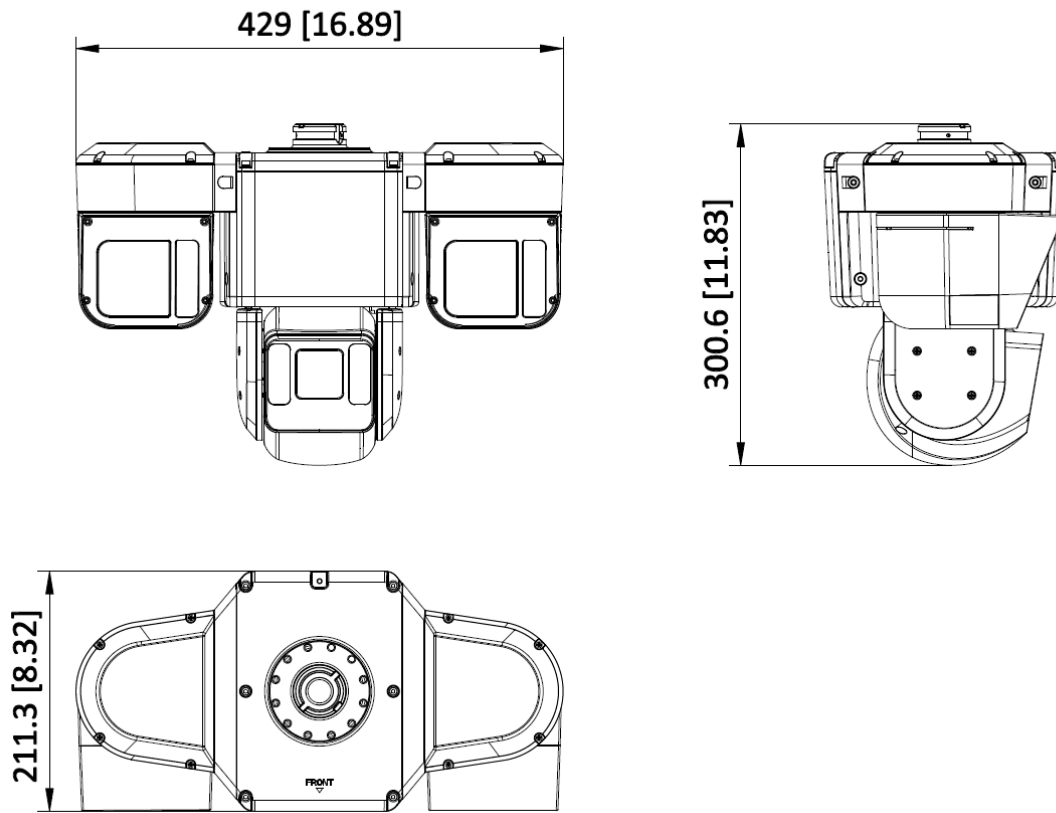
| | |
|-----------------------------|---|
| Multi-Target-Type Detection | Supports simultaneous detection and capture of human body, face and vehicle |
| General | |
| General Function | mirror,password protection |
| Power | 36 VDC± 25%, max. 90 W (Max. 75 W, including max. 18 W for IR and max. 6W for heater) |
| Operating Condition | -40 °C to 70 °C (-40 °F to 158 °F). Humidity 95% or less (non-condensing),For speaker: -30 °C to 55°C (-22°F to 131°F) |
| Wiper | No |
| Demist | Yes |
| Material | ADC12 |
| Dimension | Ø429 mm × 300 mm (Ø16.89" × 11.81") |
| Weight | Approx. 7.9 kg (17.38 lb.) |
| Language | 33 languages: English, Russian, Estonian, Bulgarian, Hungarian, Greek, German, Italian, Czech, Slovak, French, Polish, Dutch, Portuguese, Spanish, Romanian, Danish, Swedish, Norwegian, Finnish, Croatian, Slovenian, Serbian, Turkish, Korean, Traditional Chinese, Thai, Vietnamese, Japanese, Latvian, Lithuanian, Portuguese (Brazil), Ukrainian |
| Approval | |
| EMC | CE-EMC (EN 55032:2015, EN 61000-3-2:2019, EN 61000-3-3:2013 + A1:2019, EN 50130-4:2011 + A1:2014),RCM (AS/NZS CISPR 32:2015),IC (ICES-003: Issue 7) |
| Safety | CB (IEC 62368-1:2014 + A11),CE-LVD (EN 62368-1:2014/A11:2017) |
| Environment | CE-RoHS (2011/65/EU),WEEE (2012/19/EU),Reach (Regulation (EC) No 1907/2006) |
| Protection | IP67 (IEC 60529-2013),TVS 6000 V lightning protection, surge protection and voltage transient protection,IK10 (IEC 62262:2002, excluding glass window) |

▪ DORI

The DORI (detect, observe, recognize, identify) distance gives the general idea of the camera ability to distinguish persons or objects within its field of view. It is calculated based on the camera sensor specification and the criteria given by EN 62676-4:2015.

| DORI | Detect | Observe | Recognize | Identify |
|----------------------------------|---------|---------|-----------|----------|
| Definition | 25 px/m | 63 px/m | 125 px/m | 250 px/m |
| [PTZ channel] Distance (Tele) | 2200.0m | 873.0m | 440.0m | 220.0m |

▪ Dimension



Unit: mm [inch]

| | |
|-------|-----|
| SCALE | 1:1 |
|-------|-----|

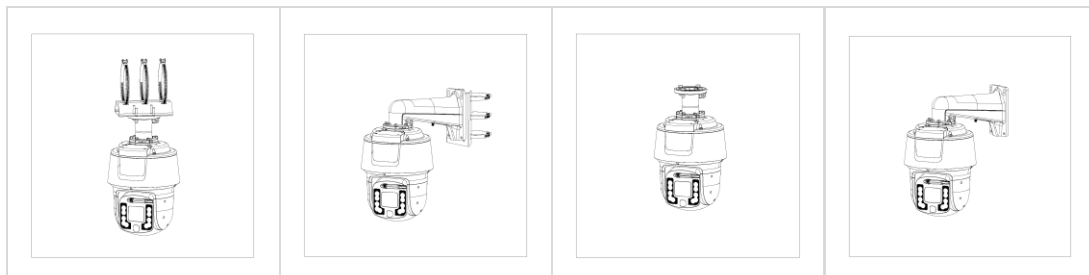
▪ Accessory

▪ Optional

| DS-1673ZJ-P | DS-1684ZJ-P | DS-4612ZJ-PA | DS-4603ZJ-PA |
|-------------|-------------|--------------|--------------|
| | | | |

▪ Installation Methods

| Horizontal Pole Mounting | Vertical Pole Mounting | Pendant Mounting | Wall Mounting |
|--------------------------|--------------------------|------------------|---------------|
| DS-1673ZJ-P+DS-4612ZJ-PA | DS-1684ZJ-P+DS-4603ZJ-PA | DS-4612ZJ-PA | DS-4603ZJ-PA |



See Far, Go Further



www.hikvision.com
support@hikvision.com

