

DS-2SK6C425MWG1/LM-L/28(F1F1)**Omni 6C Series 4 MP 25X DarkFighter Network Speed Dome**

Hikvision has been dedicated to develop products with security since established. Hikvision always follows security by design principle and has adopted many methods of security technologies into our product development lifecycle, including terminal security, data security, application security, network security, and privacy protection. In the meantime, the security technologies used by Hikvision are all in compliance with local applicable laws and safety regulations. These security measures could enhance product's cyber security defense capability and protect your devices as well as your data from malicious cyber attacks.

- Captures two bullet channels and great details at the same time
- High quality imaging with 4 MP resolution for bullet channels
- Excellent low-light performance with Powered by DarkFighter 2.0 technology
- Bullet channel pan adjustable from 0° to 190°, tilt adjustable from 12.5° to 22.5°
- Secures an expansive area with 25 × optical zoom and 16 × digital zoom
- Expansive night view with up to 20 m White light distance and 200 m IR distance
- Supports deep learning functions
- Dedicated large scale AI model for perimeter protection
- Water and dust resistant (IP67) and vandal resistant (IK10) excluding glass window

▪ Specification

Camera	
Image Sensor	[Panoramic channel] 1/1.8" Progressive Scan CMOS, [PTZ channel] 1/2.8" Progressive Scan CMOS
Min. Illumination	[Panoramic channel] Color: 0.0005 Lux @ (F1.0, AGC ON), B/W: 0.0001 Lux @ (F1.0, AGC ON), 0 Lux with light, [PTZ channel] Color: 0.005 Lux @ (F1.6, AGC ON), B/W: 0.001 Lux @ (F1.6, AGC ON), 0 lux with IR
Shutter Speed	1 s to 1/30000 s
Slow Shutter	Yes
Day & Night	[Panoramic channel] No, [PTZ channel] Auto,Night,Schedule,Day
Zoom	[PTZ channel] 25 × optical, 16 × digital
Lens	
FOV	[PTZ channel] horizontal field of view: 57.7° to 2.9°, vertical field of view: 33.2° to 1.6°, diagonal field of view: 65.2° to 3.3°
Focus	Auto,semi-auto>manual
Focal Length	[Panoramic channel] 4 mm, [PTZ channel] 5.3 to 110 mm
Aperture	[Panoramic channel] F1.0, [PTZ channel] F1.6
Illuminator	
Supplement Light Range	[Panoramic channel] white light: up to 15 m [PTZ channel] white light: up to 20 m; IR up to 200 m
Smart Supplement Light	Yes
PTZ	
Movement Range (Pan)	[Panoramic channel] 0° to 190°, [PTZ channel] 0° to 360°
Movement Range (Tilt)	[Panoramic channel] 12.5° to 22.5°, [PTZ channel] -10° to 90°
Pan Speed	[Panoramic channel] pan speed: configurable from 0.1° to 20°/s, preset speed: 20°/s,[PTZ channel] pan speed: configurable from 0.1° to 210°/s, preset speed: 280°/s
Tilt Speed	[Panoramic channel] tilt speed: configurable from 0.1° to 20°/s, preset speed 20°/s,[PTZ channel] tilt speed: configurable from 0.1° to 150°/s, preset speed 250°/s
Proportional Pan	[Panoramic channel] No, [PTZ channel] Yes
Presets	300
Patrol Scan	8 patrols, up to 32 presets for each patrol
Pattern Scan	4 pattern scans, record time over 10 minutes for each scan
Power-off Memory	Yes
Park Action	Preset,pattern scan,patrol scan,auto scan,tilt scan,random scan,frame scan,panorama scan
3D Positioning	Yes
PTZ Status Display	Yes
Preset Freezing	Yes
Scheduled Task	Preset,pattern scan,patrol scan,auto scan,tilt scan,random scan,frame scan,panorama scan,dome reboot,dome adjust,aux output

Video	
Main Stream	[Panoramic channel] 50Hz:25fps (2688x1520,2560x1440,1920x1080,1280x960,1280x720) 60Hz:30fps (2688x1520 , 2560x1440,1920x1080,1280x960,1280x720) [PTZ channel] 50Hz:25fps (2688x1520,2560x1440,1920x1080,1280x960,1280x720) 60Hz:30fps (2688x1520 , 2560x1440,1920x1080,1280x960,1280x720)
Sub-Stream	[PTZ channel] 50 Hz: 25 fps (704x576,640x480,352x288), 60 Hz: 30 fps (704x480,640x480,352x240),[Panoramic channel] 50 Hz: 25 fps (1200 × 536、960x432), 60 Hz: 30 fps (1200 × 536、960x432)
Third Stream	[PTZ channel] 50 Hz: 25 fps (1920 × 1080, 1280 × 960, 1280 × 720, 704 × 576, 640 × 480, 352 × 288), 60 Hz: 30 fps (1920 × 1080, 1280 × 960, 1280 × 720, 704 × 576, 640 × 480, 352 × 288),[Panoramic channel] No
Video Compression	Main stream: H.265+/H.265/H.264+/H.264, Sub-stream: H.265/H.264/MJPEG, Third stream: H.265/H.264/MJPEG
Video Bit Rate	32 Kbps to 16 Mbps
H.264 Type	Baseline profile,Main profile,High profile
H.265 Type	Main profile
Scalable Video Coding (SVC)	H.264 and H.265 encoding
Audio	
Audio Compression	G.711,G.722.1,G.726,MP2L2,PCM,AAC-LC,MP3
Audio Sampling Rate	8 kHz,16 kHz,32 kHz,48 kHz
Network	
API	ISAPI,SDK,ISUP
Network Storage	NAS (NFS, SMB/CIFS),auto network replenishment (ANR)
Protocols	IPv4/IPv6,HTTP,HTTPS,802.1X,QoS,SMTP,UPnP,SNMP,DNS,DDNS,NTP,RTSP,RTCP,RTP,T CP/IP,UDP,IGMP,ICMP,DHCP,PPPoE,Bonjour,FTP
Simultaneous Live View	Up to 20 channels
User/Host	Up to 32 users.3 user levels: administrator, operator, and user
Security	Password protection,complicated password,HTTPS encryption,IP address filter,802.1X authentication (EAP-TLS, EAP-LEAP, EAP-MD5),watermark,host authentication (MAC address),TPM 2.0 (FIPS 140-2 level 2)
Client	iVMS-4200,HikCentral Pro,Hik-Connect
Web Browser	Plug-in required live view: IE8+ Plug-in free live view: Chrome 57.0+, Firefox 52.0+, Safari 11+ Local service: Chrome 41.0+, Firefox 30.0+
Image	
Wide Dynamic Range (WDR)	120 dB
Day/Night Switch	Day,night,auto,schedule
Image Enhancement	HLC,3D DNR
Privacy Mask	[Panoramic channel] 8 programmable polygon privacy masks, [PTZ channel] 24 programmable polygon privacy masks;mask color or mosaic configurable
Defog	Optical defog
Image Stabilization	EIS
Regional Exposure	Yes

Regional Focus	[Panoramic channel] No, [PTZ channel] Yes
Image Settings	Saturation, brightness, contrast, sharpness, gain, and white balance adjustable by client software or web browser
Image Parameters Switch	Yes
SNR	≥ 52 dB
Supplement Detection	
Satellite Positioning	No
Gyroscope	Yes
Compass	No
Interface	
Ethernet Interface	1 RJ45 100M self-adaptive Ethernet port
On-board Storage	Built-in memory card slot, support microSD/microSDHC/microSDXC card, up to 1 TB .
Alarm	7 input(s), 2 output(s)
Audio	1 input (line in), max. input amplitude: 2-2.4 vpp, input impedance: 1 KΩ ± 10%, 1 output (line out), line level, output impedance: 600 Ω
RS-485	1 RS-485 (Half duplex, HIKVISION, Pelco-P, Pelco-D, self-adaptive)
Reset	Yes
Large Models	
Perimeter Protection	Line crossing, intrusion, region entrance, region exiting Supports alarm triggering by specified target types (human and vehicle) Supports combined event alarm triggering Perimeter Protection Dedicated Large scale AI model for perimeter protection, reduce false alarms by 90% compared to conventional AI cameras
Event	
Basic Event	[PTZ channel & panoramic channel] alarm input and output, exception, [PTZ channel] motion detection, video tampering alarm
Smart Event	Line crossing detection, intrusion detection, region entrance detection, region exiting detection, unattended baggage detection, object removal detection, loitering detection, people gathering detection, fast moving detection, parking detection
Linkage	Upload to FTP/NAS/memory card, white light flashing, send email, notify surveillance center, audible warning, trigger alarm output
Deep Learning Function	
Intelligent Transportation System	Traffic Violation Evidence Collection: illegal parking, reverse driving, over lane line detection, continuous lane change, motor vehicle on non-motor vehicle lane, U-turn, slalom driving, illegal lane change, and queue jumping. Traffic Data Collection: Traffic Flow. Road incident detection: (1) Road incident detection for highways and elevated roads: fallen object detection, pedestrian detection, congestion detection, roadblock detection, construction detection, traffic accident detection, fog detection, smoke detection, and fire detection; (2) Road incident detection for urban roads: congestion detection, roadblock detection, construction detection, traffic accident detection, fog detection, smoke detection, and fire detection Supports general highway incident detection : supports pothole detection, crack detection, and alligator cracking detection
AcuSeek	This function requires use with AcuSeek NVR/Servers

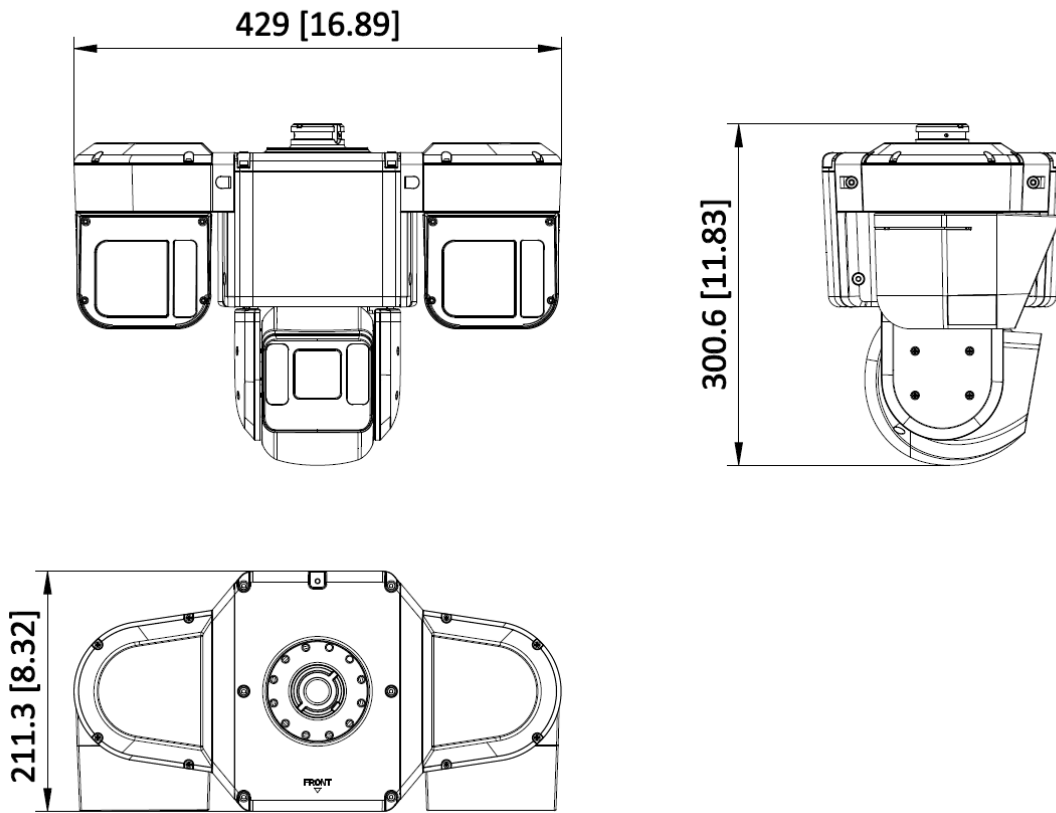
Multi-Target-Type Detection	Supports simultaneous detection and capture of human body, face and vehicle
General	
General Function	mirror,password protection
Power	36 VDC± 25%, max. 90 W (Max. 75 W, including max. 18 W for IR and max. 6W for heater)
Operating Condition	-40 °C to 70 °C (-40 °F to 158 °F). Humidity 95% or less (non-condensing),For speaker: -30 °C to 55°C (-22°F to 131°F)
Wiper	No
Demist	Yes
Material	ADC12
Dimension	Ø429 mm × 300 mm (Ø16.89" × 11.81")
Weight	Approx. 7.9 kg (17.38 lb.)
Language	33 languages: English, Russian, Estonian, Bulgarian, Hungarian, Greek, German, Italian, Czech, Slovak, French, Polish, Dutch, Portuguese, Spanish, Romanian, Danish, Swedish, Norwegian, Finnish, Croatian, Slovenian, Serbian, Turkish, Korean, Traditional Chinese, Thai, Vietnamese, Japanese, Latvian, Lithuanian, Portuguese (Brazil), Ukrainian
Approval	
EMC	CE-EMC (EN 55032:2015, EN 61000-3-2:2019, EN 61000-3-3:2013 + A1:2019, EN 50130-4:2011 + A1:2014),RCM (AS/NZS CISPR 32:2015),IC (ICES-003: Issue 7)
Safety	CB (IEC 62368-1:2014 + A11),CE-LVD (EN 62368-1:2014/A11:2017)
Environment	CE-RoHS (2011/65/EU),WEEE (2012/19/EU),Reach (Regulation (EC) No 1907/2006)
Protection	IP67 (IEC 60529-2013),TVS 6000 V lightning protection, surge protection and voltage transient protection,IK10 (IEC 62262:2002, excluding glass window)

▪ DORI

The DORI (detect, observe, recognize, identify) distance gives the general idea of the camera ability to distinguish persons or objects within its field of view. It is calculated based on the camera sensor specification and the criteria given by EN 62676-4:2015.

DORI	Detect	Observe	Recognize	Identify
Definition	25 px/m	63 px/m	125 px/m	250 px/m
[PTZ channel] Distance (Tele)	2200.0m	873.0m	440.0m	220.0m

▪ Dimension



Unit: mm [inch]

SCALE	1:1
-------	-----

▪ **Accessory**

▪ **Optional**

DS-1684ZJ-P	DS-1673ZJ-P	DS-1663ZJ-P	DS-4612ZJ-PA	DS-1603ZJ-P
				
DS-4603ZJ-PA				



See Far, Go Further



www.hikvision.com
support@hikvision.com

