

DS-D4015AW-2FQ
P1.5 GOB 800nits

600 × 337.5 Indoor LED

- The display and control system is wholly self-developed, which is stable, safety and controllable.
- Highly integrated and compatible cabinet with simple and lightweight design.
- Easy to disassemble lamp board, power supply, and receiving card on the front side with high-precision aluminum die casting cabinet design.
- The solders are made of lead-free and non-toxic solder paste materials, which will not cause harm to human body and the environment.
- Automatically identify high-brightness and harsh picture details and adjust the brightness of the partial zones with dynamic engine algorithms adopted. The image is soft and comfortable to view and its quality is enhanced when unnecessary power consumption is reduced.
- Automatically remove moisture to protect lamp board from water damage when the device is kept in a humid environment or left unused for a long time.
- Support multiple ways to adjust screen parameters via remote control, tablet, and platforms.
- The packaging adopts recyclable materials, and the whole process of production achieves green and low-carbon standards.
- Please note: Module and cabinet structure should be separately ordered.

▪ Specification

Product Model	
Product Model	DS-D4015AW-2FQ
Product Type	
Product Type	Small Pixel Pitch Indoor Full-color LED Display
Cabinet	
Pixel Configuration	SMD Triad LED (with glue)
Pixel Pitch	1.5625 mm
Pixel Pitch Category	P1.5
Pixel Density	409600 dots/m ²
Modules Component	2 × 2
Dimensions (W × H × D)	600 mm × 337.5 mm × 29.5 mm (23.622" × 13.287" × 1.161")
Resolution	384 × 216
Area	0.2025 m ²
Weight	3.4 kg
Cabinet Material	Aluminium die casting
Maintenance Method	Front maintenance for all components
Module	
Dimensions	300 × 168.75 mm
Module Resolution	192 × 108
Display	
White Balance Brightness	600 cd/m ²
Color Temperature	3000-10000 K adjustable
Viewing Angle	160°(H)/160°(V)
Contrast Ratio	5000:1
Color Uniformity	≤ ± 0.003Cx , Cy
Brightness Uniformity	≥ 97%
Processing Performance	
Driving Method	Constant current driving
Frame Frequency	60 Hz
Refresh Rate	3840 Hz
Grey Level	16 bit
Power	
Max. Consumption	≤ 278 W/m ² (600 nits)
Average Consumption	≤ 93 W/m ²
Input Voltage	100~240 VAC ± 10 %
Working Environment	
Working Temperature	-10 °C to 40 °C (14 °F to 104 °F)
Working Humidity	10% to 60% RH (without condensation)
Storage Temperature	-20 °C to 60 °C (-4 °F to 140 °F)
Storage Humidity	10% to 85% RH (without condensation)

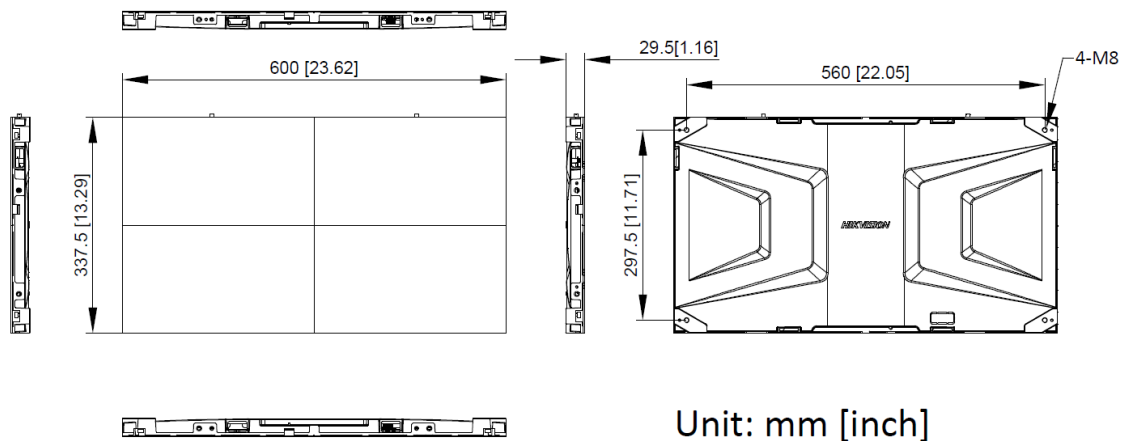
General	
Package Dimensions (W × H × D)	Module: 4-in-1(443X360X52mm) Structure: 5-in-1(708X393X433mm)
Packing List	Regulatory Compliance and Safety Information × 1 Connecting screws, light beads, driver IC, iron sheets
G.W.	4.5 kg (1 package in 1 box)
Net Weight	3.4 kg
Bracket	
Modular Bracket	standard bracket:DS-DL116033W 1*1;DS-DL226033W 2*2,ultra-thin bracket:DP-D40XXCB22-1X1-Q0.2-NW-Q0.2-ZF

▪ Available Model

DS-D4015AW-2FQ/A, 300*168.75mm Module

DS-D4015AW-2FQ/A 300*168.75mm Module

▪ Dimension



▪ Accessory

▪ Included

DS-1NP6UEC0	DS-D40W-2F/PC	DS-D40W-2F	DS-D40W-2F/HU B

See Far, Go Further



www.hikvision.com
support@hikvision.com

