

**DS-TP50-08I  
Terminal Server**

DS-TP50-08I is an outdoor management terminal server in intelligent traffic domain, supporting video management, traffic data management, video/audio decoding, picture processing, and network transmission, etc. It is widely applied to checkpoint system, intersection violation system and traffic surveillance system.

- Supports direct connecting to 4 network cameras (single bitrate: 10M), and connecting to 4 cameras via switches. Provides passing vehicle records storage, pictures storage, videos storage, data upload, and video stream forwarding.
- Supports connecting to multiple cameras, including normal cameras, smart monitoring cameras, traffic cameras for checkpoint and intersection violation system, network speed domes, etc.
- Solid, compact, fan-free, and small size. It is applicable to roadside cabinet and pole mounted cabinet. All the interfaces are designed on the single panel, which makes it easy for construction and operation.
- Up to 8 TB HDD storage. Supports to set the quota of pictures and videos.

## ▪ Specification

<b>Video</b>	
Video Compression	H.264,H.265
Video Input	8 CH access, up to 20MP resolution (4 directly connected, 4 connected through a switch)
<b>Network</b>	
User/Host	Up to 32 users,3 user levels: administrator, operator, and user
API	ISUP,ISAPI,SDK,OTAP
Protocols	TCP/IP,UDP,IPv4/IPv6,ARP,ICMP,DHCP,802.1X,QoS,DNS,DDNS,SSL/TLS,HTTP,HTTPS,NT P,IGMP,RTP,RTSP,RTCP,FTP,SNMP,SSH2
Security	Password protection,Complicated password,HTTPS encryption,802.1X authentication (EAP-PEAP; EAP-LEAP; EAP-MD5),Watermark,Basic and digest authentication for HTTP/HTTPS,RTP/RTSP over HTTPS,Control timeout settings,TLS 1.1
Simultaneous Live View	Up to 8 channel(s)
Web Browser	Chrome 89.0+
Client	Hik-Central Master, Hik-Central Pro, HikCentral Master Lite
<b>Interface</b>	
Network Interface	4 RJ45 100 M self-adaptive Ethernet port(s),2 RJ45 10/100/1000 M self-adaptive Ethernet port(s)
Alarm	1 × input, 1 × output
RS-485	1 RS-485
RS-232	2 RS-232
USB	1 × USB 2.0 (5.0 V, 1.0 A)
Optical Interface	1 SFP model
<b>Function</b>	
Data Storage	Vehicle information (passing records and pictures) storage
Video Recording	Video recording function. Recording duration is determined by the stream size and the HDD capacity.
Network Settings	Able to set two-segment IP address
Smart Function	Receive and display traffic parameters statistics; Alarm in; Alarm output; Support blacklist arm and whitelist arm; Segment speed detection; Face evidence; HDD detection
Data Uploading	Real time data upload and history data upload
<b>General</b>	
Operating GUI	Web
Operation System	Linux
Indicator	4 × indicator (1 × Power Indicator, 1 × Alarm Indicator, 1 × HDD Indicator, 1 × Ready Indicator)
Storage	1 × SATA(Supports up to 8TB HDD)
Power	12 VDC ± 10%, max. 30 W
Dimensions	245 mm × 170 mm × 55 mm (9.6" × 6.7" × 2.1") (L × W × H)
With Package Dimensions	427 mm × 243 mm × 105 mm (16.81" × 9.57" × 4.13") (L × W × H)

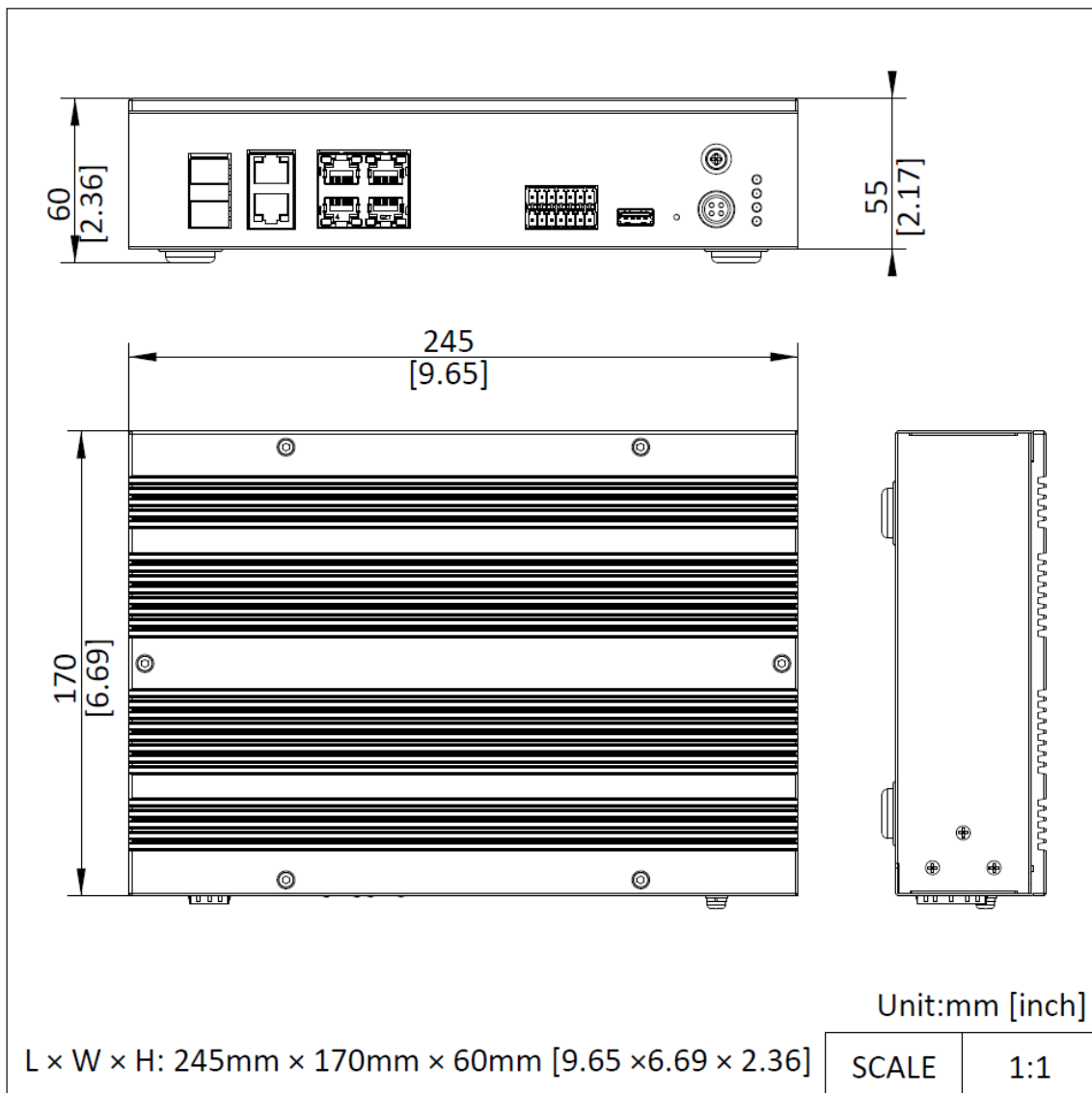
Weight	Approx. 2.1 kg (4.63 lb.)
With Package Weight	Approx. 2.9 kg (6.39 lb.)
Operating Condition	-30 °C to 55 °C (-22 °F to 131 °F). Humidity: 5% to 95% (non-condensing)
Storage Condition	-30 °C to 55 °C (-22 °F to 131 °F). Humidity 95% or less (non-condensing)
<b>Approval</b>	
EMC	CE-EMC: EN 55032: 2015/A11:2020+A1:2020, EN IEC61000-3-2: 2019/A1:2021, EN 61000-3-3: 2013+A1:2019/A2:2021, EN 50130-4: 2011 +A1: 2014
Safety	CB: IEC 62368-1: 2014,CB: IEC 62368-1: 2018,CE-LVD: EN 62368-1: 2014+A11: 2017
Environment	CE-RoHS: 2011/65/EU,WEEE: 2012/19/EU,Reach: Regulation (EC) No 1907/2006

### ▪ Available Model

DS-TP50-08I/4T SSD(unpacked)

DS-TP50-08I/4T

### ▪ Dimension



# See Far, Go Further



[www.hikvision.com](http://www.hikvision.com)  
[support@hikvision.com](mailto:support@hikvision.com)

