

DS-K3GL606WX-WE
Sliding gate opener

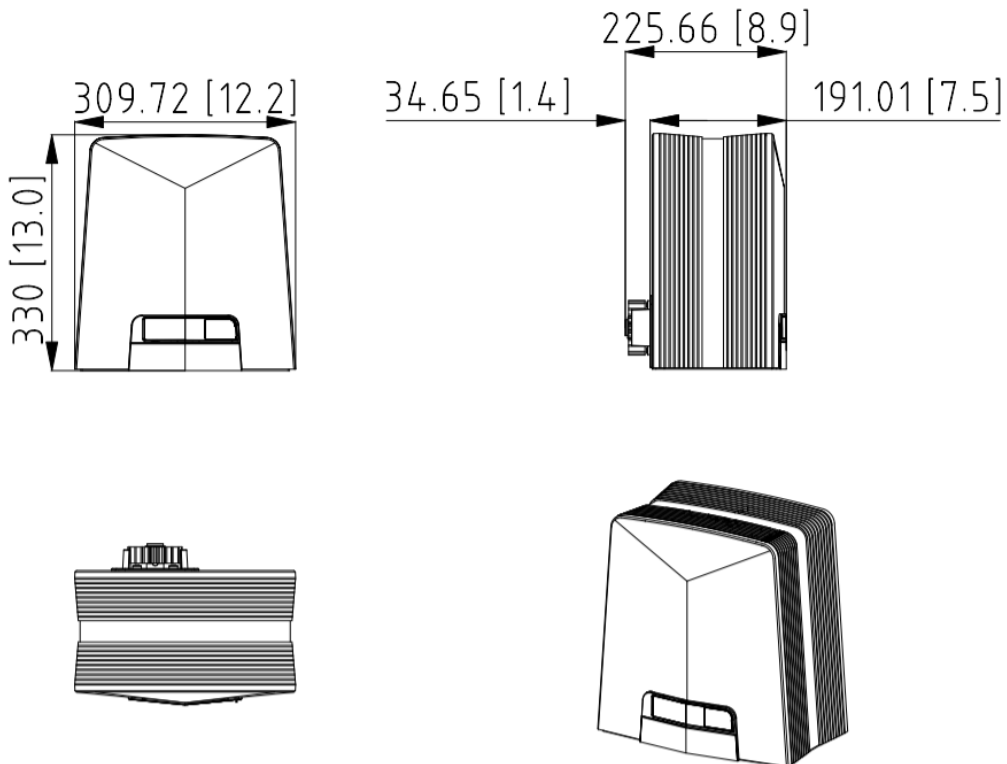
- Support built-in WIFI and LAN interfaces, easy for remote management system.
- Battery-driven, max open speed at 0.6 m/second, @17 Kgf (2 x 12V 7AH batteries are essential for normal operation, max dimension (W × H × D): 151mm x 94mm x 65mm).
- Support Mobile web configuration with AP mode by a simple touch on NFC tags.
- Support component status self- diagnostics
- Support built-in access system, could achieve the functions of opening doors via PIN code, card, and QR code with external AC card reader.
- The system supports linkage function, enabling integrated applications with intercom, alarm, and access control systems.
- The product supports low-power mode, which allows for excellent power consumption management after a power outage, achieving longer standby times and more door opening and closing cycles.

▪ Specification

| System | |
|------------------------------|--|
| Motor | Brush motor |
| MCBF | ≥ 0.8 million times |
| Gate mass - maximum | 600 Kg |
| Open speed | Up to 0.6 m/second, @17 Kgf |
| Battery | 12V 7AH x 2 (Not included in the box, purchase separately) |
| Motor Push Force - Starting | 30 Kgf |
| Motor Push Force - Rated | 17 Kgf |
| Gate Length - Maximum | 20 m |
| Remote Keyfob Capacity | 3,000 |
| Network | |
| Wired network | 10/100 Mbps self-adaptive Ethernet |
| Wi-Fi | Support |
| 4G | Optional |
| Interface | |
| Network interface | 1 |
| Exit button | 2 |
| Alarm output | 2 |
| TAMPER | 1 |
| RS-485 | 1 |
| Case input | 2 |
| IR connection | 2 |
| Emergency Input | 1 |
| Power Supply Output | 12V/0.2A*2 |
| Hardware | |
| Buzzer | Support |
| Expansion screw | M12 X 150mm |
| Capacity | |
| Card capacity | 250,000 |
| Event capacity | 500,000 |
| Function | |
| Configuration via PC Web | Support |
| Configuration via mobile Web | Support |
| Hik-Connect | Support |
| Multi-factor authentication | Support |
| AP mode | Support |
| Communication protocol | TCP/IP,ISAPI |
| Keyfob | Support, 868 MHz, within 50 m |
| Reopen | Support |
| Pedestrian Mode | Support |
| Soft Start & Stop | Support |
| Flashing light | Support |

| General | |
|---------------------|--|
| Power consumption | Standby: 5 W Working: 280 W Peak: 400 W |
| Power supply method | Power supply: 100 to 240 VAC~, 50/60 Hz, Rated current: 0.8A, Peak current: 4A |
| Working temperature | -15 °C to 55 °C (5 °F to 131 °F) |
| Working humidity | 10% to 95% (No condensing) |
| Protective level | IPX5 |
| Dimensions | Without package: 309.72 mm × 225.66 mm × 330 mm (12.2" × 8.9" × 13.0") With package: 360 mm × 275 mm × 450 mm (14.17" × 10.83" × 17.72") |
| Weight | Net: 7.45 kg (16.3 lb) Gross: 10 kg (22 lb) |
| Approval | CE/CB/RoHS/REACH/WEEE |
| Language | English, Arabic, Indonesian, Japanese, Kazakh, Portuguese (Brazil), Spanish (Latin America), Spanish (Europe), Thai, Russian, Ukrainian, Uzbek, Vietnamese, Korean |

▪ **Dimension**








Unit:mm [inch]

| | |
|-------|-----|
| SCALE | 1:1 |
|-------|-----|

▪ **Accessory**

▪ Optional

| DS-KEC01-GM/GL6 06X | DS-KSM03/GL606 | DS-K7IR01 | DS-KSB01-GL | DS-KSR01-GL |
|---|---|---|--|---|
|  |  |  |  |  |

See Far, Go Further



www.hikvision.com
support@hikvision.com

