

**DS-TMC200-E1
2MP ANPR Kit**

- Capture and display are integrated: capture results can be displayed in real time.
- High definition: 2MP high-definition camera, resolution: 1920*1200, frame rate: 25fps.
- High integration: built-in ANPR camera, LED screen, external supplement light and pole.
- Easy debugging: using 3.1-6 mm motorized vari-focal lens, support software automatic focusing, more convenient debugging, strong scene adaptability.
- Multiple trigger modes: support coil trigger, video trigger, radar trigger, coil combined with video trigger and other trigger modes;
- Display font: supports small language display, including Thai, Vietnamese, etc.
- Built-in voice module: pre-recorded voice broadcast can be supported through the ANPR kit.

▪ Specification

Lens	
Lens Type	3.1 to 6 mm
Aperture	3.1 to 6 mm: F1.9
Focal Length & FoV	3.1 to 6 mm, horizontal FoV: 105.5° to 51.4°, vertical FoV: 55.9° to 28.9°, diagonal FoV: 126.9° to 59.2°
Focus	Auto, Vari-focal lens, motor-driven lens
Supplement Light	
Supplement Light Type	Warm White Light
Band/Color Temperature	Warm White Light 3000 K
Supplement Light Range	Video: 3.1 mm to 6 mm: 10 m Vehicle License Plate: 3.1 mm to 6 mm: 5 m
Capture Mode	
Trigger Type	Video Trigger, I/O Trigger and Dual I/O Trigger
Picture Type	Scene Picture, Scene Picture + Close-up Picture
Scene Mode	Vehicle Priority, License Plate & Vehicle, Motorcycle Scene
Capture Type	Continue Light Mode
Capture Parameters	
Image Format	JPEG
Capture Resolution	1920 × 1200
License Plate Recognition	Forward, Backward, Bidirection
Fake Plate Filter	Yes
Smart Recognition	ANPR, Motor Vehicle Feature, Vehicle Color Recognition, Enable Vehicle Manufacturer Recognition
Capture Picture Overlay	Location, Capture Time, Plate Number, Capture No., Vehicle Color Vehicle Type
Image	
WDR	140 dB
Main Stream	50 Hz: 25 fps (1920*1200P、 1920*1080P、 1280*720P、 704*576、 352*288)
Sub-Stream	50 Hz: 25 fps (1920*1080P、 1280*720P、 704*576、 352*288)
Image Settings	Saturation: 0 to 100 Brightness: 0 to 100 Contrast: 0 to 100 Gain: 0 to 100 3D DNR: Off, Normal, and Expert modes are selectable. White balance: White Balance 1 and White Balance 2 are selectable.
Image Parameters Switch	Yes
WDR Switch	On, Time, Brightness
Frame Rate	25 fps (P)
Entrance and Exit	
Barrier Gate Control Mode	By Camera/Platform
Keep Boom Pole Open for Following Vehicle	Enable/Disable

Lock Barrier Gate for Large-Sized Vehicle	Yes
Relay Output	1-ch relay output
Barrier Gate Status	None, Barrier Gate Close In Place, Barrier Gate Open In Place, Remote Control Open In Place
Allowlist and Blocklist	Up to 100,000 allowlist and blocklist totally
Video	
ROI	8 regions respectively for main stream and sub-stream, 6 levels for each region.
Video Compression	Main stream: H.265/H.264/MJPEG, Sub-stream: H.265/H.264/MJPEG,
H.264 Type	Low profile Medium profile High Profile
Video Bit Rate	32 Kbps to 16 Mbps
Bit Rate Type	Constant, Variable
Scalable Video Coding (SVC)	MJPEG, H.265 and H.264 encoding
Network	
Network Storage	health detection are supported.
Protocol	TCP/IP, HTTP, SRTP, HTTPS, FTP Upload Picture, DHCP, DNS, DDNS, RTSP, NTP, SNMP, IGMP, QoS, IPv6, UDP, SSL/TLS, WebSocket
API	Open Network Video Interface, ISAPI, SDK, ISUP, OTAP, Guarding Vision Platform
Client	Hik-Connect, Hik-Central Pro, PMS
Web Browser	Plug-in required live view: IE10+ Plug-in free live view: Chrome 57.0+, Firefox 52.0+, Safari 11+ Local service: Chrome 41.0+, Firefox 30.0+
Security	Password protection, complicated password, HTTPS encryption, watermark, IP address filter, basic and digest authentication for HTTP/HTTPS, WSSE and digest authentication for Open Network Video Interface, RTP/RTSP OVER HTTPS, Control Timeout Settings, Security Audit Log, TLS 1.2
Camera	
Sensor Type	1/3" Progressive Scan CMOS
Max. Resolution	1920 × 1200
Min. Illumination	Color: 0.04Lux@(F2.0, AGC ON) B/W: 0.02Lux@(F2.0, AGC ON)
Shutter	1/30 s to 1/100,000 s
Day/Night Switch	Supported
IR Cut Filter	IR cut filter Blue glass module to reduce ghost phenomenon
Display Screen	
Pixel Pitch	P4
Resolution	64*32
Screen Type	LED
Display Color	Red,Green,Yellow
Number of Module	1
Viewing Angle	110° (H) / 110° (V)
Color Temperature	3000k to 6000k
Brightness Uniformity	≥95%

Color Uniformity	≥95%
Luminance	1000cd/m ²
Scanning Mode	1/8Scan
Communication Mode	RS485, TCP
Interface	
Audio	1 input (line in), 1 output (line out)
Alarm Input	2-ch triggered inputs
Alarm Output	1-ch Relayout
Network Interface	1 RJ45 10M/100M self-adaptive Ethernet port
Smart Function	
LPR Accuracy	Accuracy (Under recommended installation and lighting conditions): License plate recognition rate ≥98.5% Capture rate ≥99% Driving direction accuracy rate ≥98%
Vehicle Type Recognition	Car/Van/Bus/Truck/Light Truck/SUV_MPV/Pickup/Pedestrian/Motorcycle/Tricycle
Vehicle Color	Red, Yellow (including orange, golden), Green, Cyan, Blue, Purple, Pink, Brown, White, Gray (including silver), Black
Vehicle Brand	84 manufacturers: Hyundai, Toyota, KIA, Honda, Volkswagen, Benz, Nissan, Ford, Isuzu, BMW, Chevrolet, Mitsubishi, Renault, Opel, Suzuki, Skoda, Daewoo, Audi, Mazda, GAC HINO, Peugeot, SsangYong, Citroen, Fiat, Scania, MAN, Volvo, Lexus, Seat, Land Rover, Daihatsu, Dongwo, Subaru, Iveco, MINI, JEEP, Porsche, Chery, Dodge, Chrysler, Acura, Alfa Romeo, Great Wall, Infiniti, Smart, Saic Maxus, JAC, Jaguar, GMC, Lincoln, JMC, SAAB, FAW, Yutong, Guangzhou Yunbao, Joylong, Geely, Cadillac, JBC, An'kai, Haima, Foton, King Long, Dongfeng, Geely-Emgrand, Perodua, UD, BYD, Renault Samsung, Proton, HICOM, Malaysia_Unknown 1, Hyundai-Rohens, SsangYong-Old Version, Equus-Old Version, CNHTC, Rolls-Royce, Beiben Truck, Haval, Hino, Kia-Borrego, Chang'an, Alfa, FORO

ANPR Supported Country/Region	<p>6 areas (Asia, Africa, America, Europe, Oceania, Russian-Speaking Regions) and more than 130+ countries/regions (Statistical quantity includes baseline version and customized version.)</p> <p>Asia: Hong Kong(China), Macau(China), Taiwan(China), Japan, South Korea, Mongolia, Indonesia, Myanmar, Vietnam, the Philippines, Thailand, Laos, Cambodia, Malaysia, Singapore, Pakistan, Sri Lanka, Nepal, India, Bangladesh, Qatar, Kuwait, Oman, Saudi Arabia, Bahrain, Lebanon, Jordan, Iraq, United Arab Emirates, Dubai, Fujairah, Al Ain, Abu Dhabi, Ajman, Sharjah, Umm Al Qwain, Yemen</p> <p>Africa: Egypt, Libya, Tunisia, Algeria, Morocco, Nigeria, Senegal, Ivory Coast, Ghana, Kenya, Tanzania, Uganda, Ethiopia, South Africa, Namibia, Zimbabwe, Zambia, Cameroon, Angola, Mauritius, Sierra Leone</p> <p>America: Canada, Mexico, Panama, Costa Rica, El Salvador, Guatemala, Trinidad and Tobago, Dominican Republic, Argentina, Brazil, Chile, Colombia, Peru, Ecuador, Paraguay, Uruguay, Bolivia, Venezuela, Suriname</p> <p>Europe: Italy, Spain, Portugal, Greece, Croatia, Slovenia, Montenegro, Albania, the Republic of North Macedonia, Serbia, Bosnia and Herzegovina, Bulgaria, Romania, Malta, San Marino, Andorra, Germany, Poland, Czech Republic, Slovakia, Hungary, Austria, Switzerland, Liechtenstein, France, the UK, Ireland, Netherlands, Belgium, Luxembourg, Sweden, Denmark, Finland, Iceland, Lithuania, Israel, Palestine, Kosovo, Cyprus, Turkey</p> <p>Oceania: Australia, New Zealand</p> <p>Russian-Speaking Regions: Kazakhstan, Uzbekistan, Kyrgyzstan, Tajikistan, Azerbaijan, Georgia, Estonia, Latvia, Russia, Ukraine, Moldova, Armenia, Turkmenistan, Belarus</p>
General	
Working Temperature & Humidity	Temperature: -20°C to 60°C (-4°F to 140°F) Humidity: 90% or less (non-condensing)
Power Supply	AC 110-230V, 50Hz
Weight	7.435 kg (16.39 lb.)
Weight (with Package)	15.405 kg (33.96 lb.)
Dimensions (with Package)	835 × 597 × 240 mm (32.87× 23.5 × 9.45 inch)
Storage Conditions	Temperature: -20°C to 70°C (-4°F to 158°F) Humidity: 95% (non-condensing)
Startup and Operating Conditions	Temperature: -20°C to 60°C (-4°F to 140°F) Humidity: 95% (non-condensing)
Language	33 languages: English, Russian, Estonian, Bulgarian, Hungarian, Greek, German, Italian, Czech, Slovak, French, Polish, Dutch, Portuguese, Spanish, Romanian, Danish, Swedish, Norwegian, Finnish, Croatian, Slovenian, Serbian, Turkish, Korean, Traditional Chinese, Thai, Vietnamese, Japanese, Latvian, Lithuanian, Portuguese (Brazil), Ukrainian
External Light	
External Light Type	
External Light Distance	

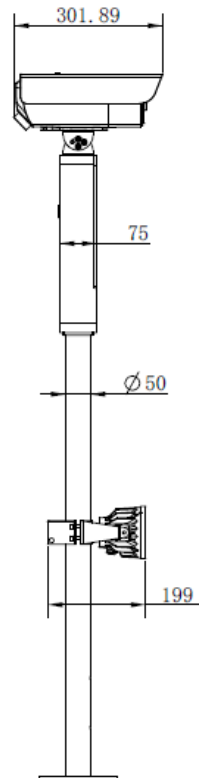
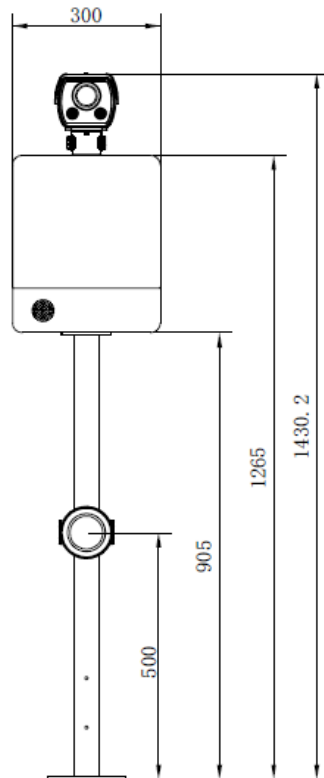
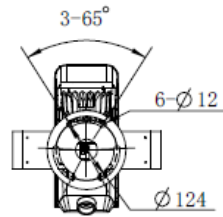
Number of Light Beads	4
Irritation Angle	60°
Band/Color Temperature	3000K

▪ **Available Model**

DS-TMC200-E1/3106

DS-TMC200-E1(I)/3106

▪ **Dimension**



See Far, Go Further



www.hikvision.com
support@hikvision.com

