

## DS-TDSB0G-FK/1km 1km Security Radar



DS-TDSB0G-FK/1km security radar, which adopts with radar technology including phased array technology, low-power FMCW modulation technology, is ideal choose for intrusion detection even in challenging conditions like darkness, fog and moderate rainfall. It can also support multi-target positioning, tracing and linking cameras for tracking and recording. Besides, the embedded deep learning algorithm in radar can be also used to detect interested objects only for human and vehicle base on the video stream from linked camera. It is recommend to be used in the prison, power station, railway, museum, airport and other security place.

- Supports getting information such as the distance, speed, and angle of the object.
- Supports target locating and trace following.
- Multi-target locking and multi-dimensional videos linkage.
- Multi-scene modes selectable. Sensitivity configurable.
- Local videos analysis recheck and pictures capture to filter the false alarms such as the swaying trees and pets.
- Supports 128 targets detection, 16 detection zones, and 4 warning lines.
- Strong environment adaptability with 24/7 all-weather working properly.
- Water and dust resistant (IP67) and vandal proof (IK10).

## ▪ Specification

<b>Radar</b>	
Working Frequency	24.05 to 24.25 GHz
Modulation Waveform	FMCW
Sweep Bandwidth	30M Hz
Scan Rate	Up to 3 time(s) per second
Horizontal Detection Angle	90°
Vertical Detection Angle	± 7.5°
Max. Detectable Targets	Up to 128 target(s)
Max. Detectable Zones	Up to 16 zone(s)
Max. Detection Trigger Lines	Up to 4 trigger line(s)
Detection Target Type	Human,Vehicle
Detection Distance	Human: 1000 m, Vehicle: 1600 m
Distance Resolution	5 m
Distance Measurement Accuracy	± 2.0 m
Angle Resolution	3°
Angle Accuracy	± 0.3°
Speed Measuring Range	- 35 to 35 m/s
Speed Resolution	0.08 m/s
Speed Measuring Accuracy	± 0.1 m/s
<b>Network</b>	
Protocols	TCP/IP,HTTP,HTTPS,DHCP,DNS,RTP,RTSP,NTP,IPv4/IPv6,UDP,SSL/TLS,ARP
Simultaneous Live View	Up to 32 channel(s)
API	SDK,ISAPI
User/Host	Up to 16 users,3 user levels: administrator, operator, and user
Security	Password protection,Complicated password,HTTPS encryption,Basic and digest authentication for HTTP/HTTPS,RTP/RTSP over HTTPS,Control timeout settings,TLS 1.2,Host authentication (MAC address)
Client	Hik-Central Pro
Web Browser	Chrome V61+, IE9 to IE11, Firefox V41+, Edge
<b>Interface</b>	
Network Interface	1 RJ45 10 M/100 M/1000 M self-adaptive Ethernet port(s)
On-Board Storage	Built-in 128G memory card
Alarm	1 input, 4 Relay output(s)(max. 30 VDC/125 VAC, 1 A )
RS-485	1 RS-485
RS-232	1 RS-232
Indicator	Supported
<b>Function</b>	
Radar + PTZ Smart Tracking	Supported
Zone Settings	Warning zone,Early warning zone,Disable zone
Tracking Mode	Time priority,Range priority,Multi-target auto switch,Target trigger priority
Scene Mode	Expert mode,Open mode,Shrub mode
Map Management	Supported

General	
Power	DC 36 V $\pm$ 25%, 0.67 A, max. 24 W, two-core terminal block, AC 24 V $\pm$ 25%, 1 A, max. 24 W, two-core terminal block
Material	Cover: PC, main body: ADC12
Dimensions	372 mm $\times$ 316 mm $\times$ 84 mm (14.65" $\times$ 12.44" $\times$ 3.31") (L $\times$ W $\times$ H)
Package Dimensions	464 mm $\times$ 436 mm $\times$ 196 mm (18.27" $\times$ 17.17" $\times$ 7.72") (L $\times$ W $\times$ H)
Weight	Approx. 6 kg (13.23 lb.)
With Package Weight	Approx. 7 kg (15.43 lb.)
Operating Condition	-40 °C to 65 °C (-40 °F to 149 °F). Humidity 95% or less (non-condensing)
Storage Condition	-40 °C to 60 °C (-40 °F to 140 °F). Humidity 95% or less (Non-condensing)
Installation Height	3 to 6 m (Recommend height: 5 m)
Approval	
Environment	CE-RoHS: 2011/65/EU, WEEE: 2012/19/EU, Reach: Regulation (EC) No 1907/2006
Protection	IK10: IEC 62262: 2002, IP67: IEC 60529: 1989+A1: 1999+A2: 2013
Anti-Corrosion Protection	NEMA 4X(NEMA 250-2018)

## ▪ Typical Application

Hikvision products are classified into three levels according to their anti-corrosion performance. Refer to the following description to choose for your using environment.

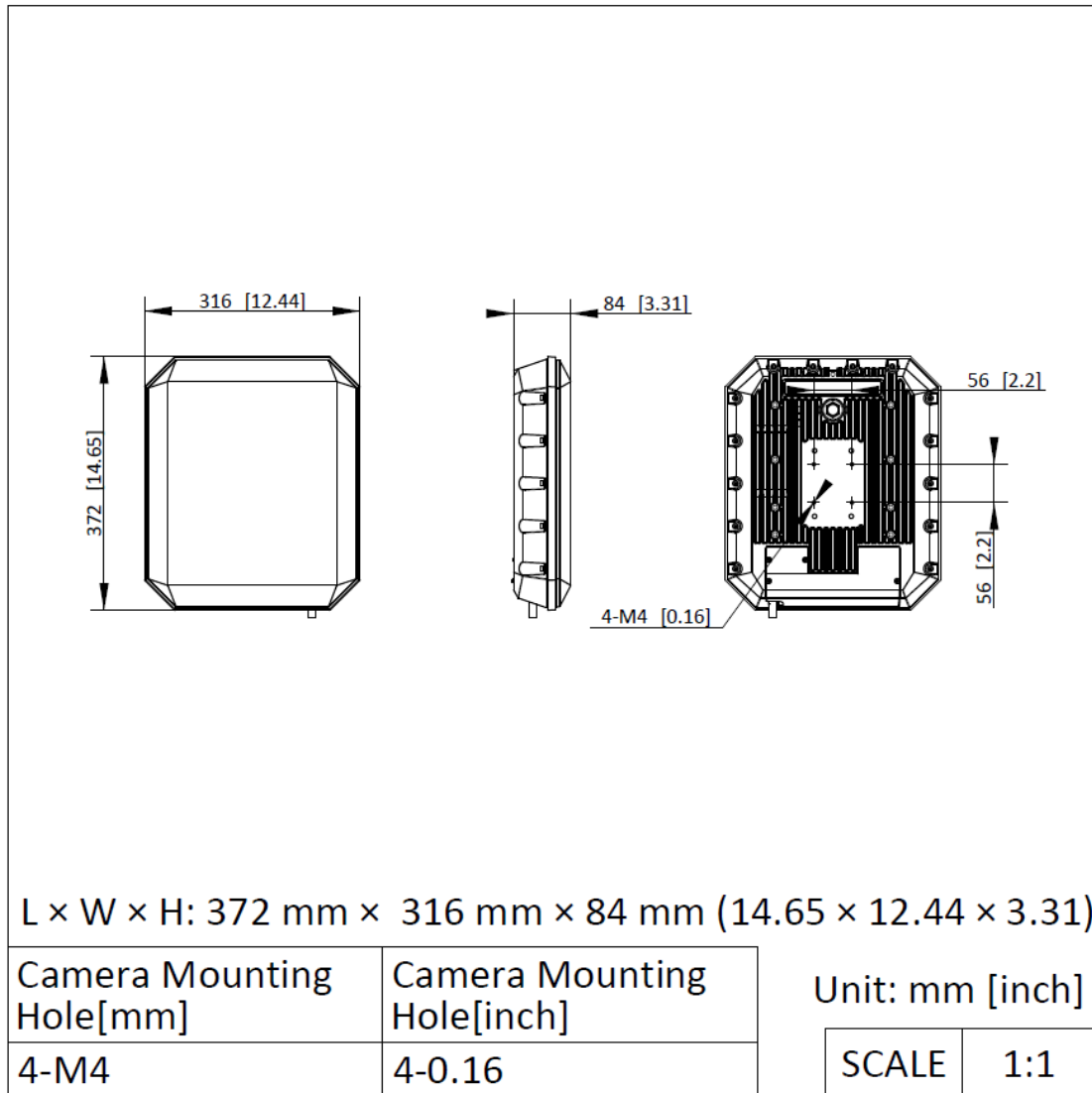
This model has MODERATE PROTECTION.

Level	Description
Top-level protection	Hikvision products at this level are equipped for use in areas where professional anti-corrosion protection is a must. Typical application scenarios include coastlines, docks, chemical plants, and more.
Moderate protection	Hikvision products at this level are equipped for use in areas with moderate anti-corrosion demands. Typical application scenarios include coastal areas about 2 kilometers (1.24 miles) away from coastlines, as well as areas affected by acid rain.
No specific protection	Hikvision products at this level are equipped for use in areas where no specific anti-corrosion protection is needed.

## ▪ Available Model


DS-TDSB0G-FK/1km

## ▪ Dimension



▪ **Accessory**

▪ **Optional**

DS-PRB-1110 Radar bracket	DS-PRB-1310 Radar bracket
	

# See Far, Go Further



[www.hikvision.com](http://www.hikvision.com)  
[support@hikvision.com](mailto:support@hikvision.com)

