

DS-D5B55RB/EL 55-inch 4K Interactive Display



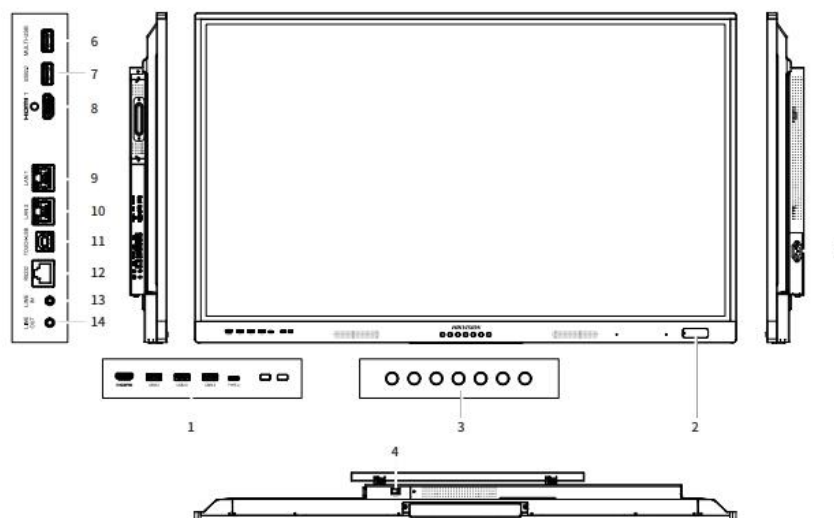
- UHD 4K display with resolution of 3840 × 2160.
- Anti-glare and anti-blocking design to ensure smooth interaction.
- Dual systems of Android and Windows (optional with 195×30×180mm OPS) saving cost and easy to use, video conferencing software is recommended to run on the Windows system.
- Quick response, at most 40-point touch controls and smooth writing experience.
- Multi-button front design for convenient classroom use.

▪ Specification

Product Model	
Product Model	DS-D5B55RB/EL
Display	
Screen Size	55 inch
Backlight	DLED
Resolution	3840 × 2160 @60 Hz
Brightness	350 cd/m ² (Typ.)
Display Color	1.07G
Response Time	8ms
Panel Type	ADS
Contrast Ratio	1200:1 (Static)
Pixel Pitch	0.315 (H) × 0.315 (V) mm
Color Gamut	72% NTSC (CIE1931) (Typ.)
Refresh Rate	60 Hz
Viewing Angle	178°(H)/178°(V)
Aspect Ratio	16:9
Surface Haze	25% Haze
Display Area	1209.6 mm × 680.4 mm
Color Depth	10 bit (8 bit + FRC)
Working Duration	7 × 16H
Surface Hardness	9H (Pencil) 6 (Mohs)
Surface Glass	3.2 mm Anti-Glare Glass
Transmittance	88% ± 3
Lifespan	30,000 hours
Touch	
Type	Infrared Touch Screen
Touch Point	40-point multi-touch
Touch Response Time	< 5 ms
Minimum Touch Object	≥ 2.8 mm (≥ 90% touching area)
Touch Precision	± 1 mm (≥ 90% touching area)
Touch Resolution	32768 × 32768
Built-in System	
Operation System	Android 13.0
Memory	8 GB
Built-in Storage	64 GB
CPU	Cortex-A55 × 4 (1.92 GHz)
HDCP Version	Support 1.4/2.2/2.3
GPU	Mali-G52 MP2 (2EE)
Internal Function	
Loudspeaker	Built-in 2 × 20 W
Speaker Frequency	F0-20Khz
Bluetooth	Built-in BLE (Bluetooth Low Energy) module supports Bluetooth 5.2
NFC	Support card reader

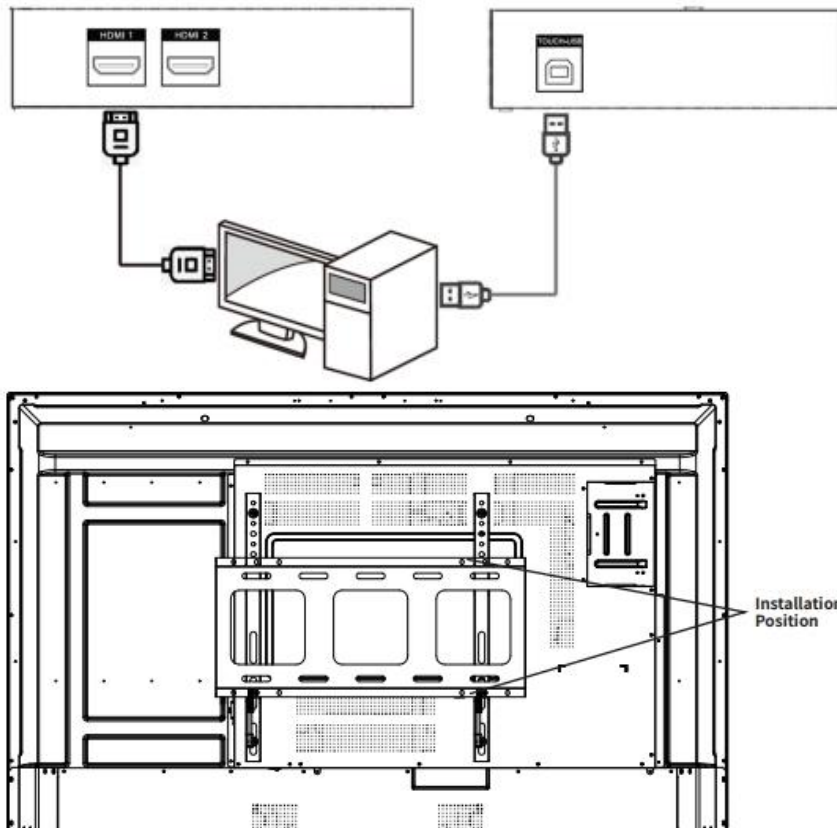
Light Sensor	Yes
Interface	
Video & Audio Input	HDMI In (HDMI 2.0) × 2, Audio In × 1
Video & Audio Output	Audio Out × 1
Control Interface	TOUCH-USB 2.0 × 2, RS232 × 1
Network Interface	LAN (100 Mbps) × 2 WIFI AP&Station , 2.4G/5G WIFI AP : IEEE 802.11 a/b/g/n/ac 2 × 2 MIMO (2.4 GHz and 5 GHz) authentication protocols WEP, WPA, WPA2, PSK and 802.1X EAP WIFI Station : IEEE 802.11 a/b/g/n/ac/ax 1 × 1 MIMO (2.4 GHz and 5 GHz) authentication protocols WEP, WPA, WPA2, PSK and 802.1X EAP
Data Transmission Interface	USB 2.0 × 2, USB 3.0 × 2, Type-C × 1 (Type-C supports USB 2.0)
Power	
Power Supply	100 to 240 VAC, 50/60 Hz
Standby Consumption	≤ 0.5 W
Max. Consumption	210 W (with OPS)
Average Consumption	130 W
Working Environment	
Working Temperature	0 °C to 40 °C (32 °F to 104°F)
Working Humidity	20%~80% RH
General	
Product Dimensions	1262.01 mm × 769.81 mm × 86.10 mm
Package Dimensions (W × H × D)	1385 mm × 865 mm × 180 mm
VESA	400 mm × 400 mm (4 × M6-16 mm)
Net Weight	24.5 kg
Gross Weight	30 kg

▪ Physical Interface

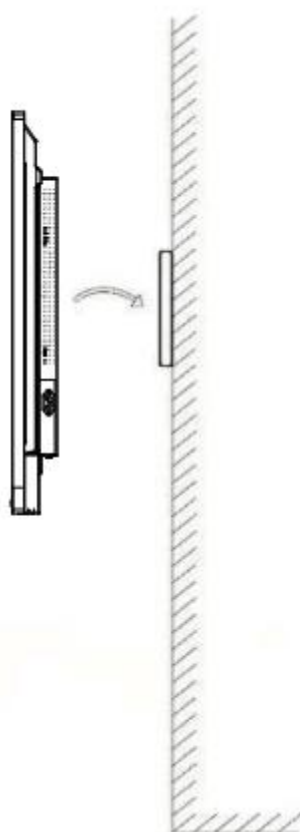
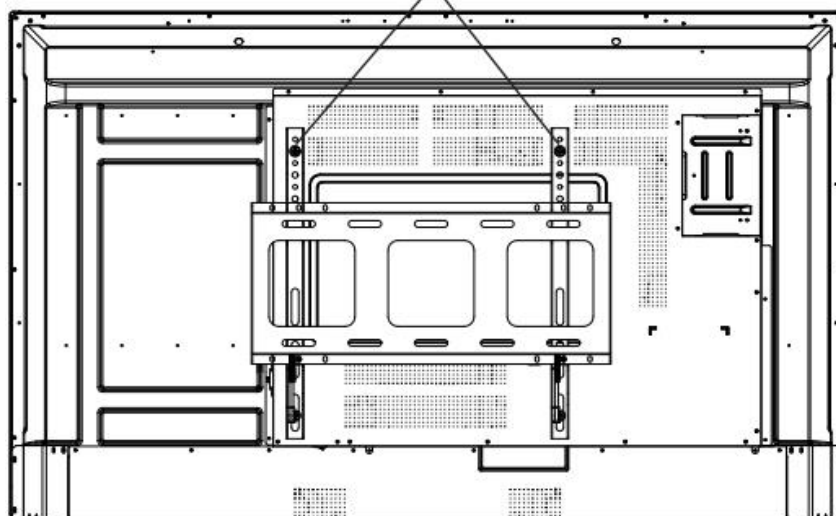


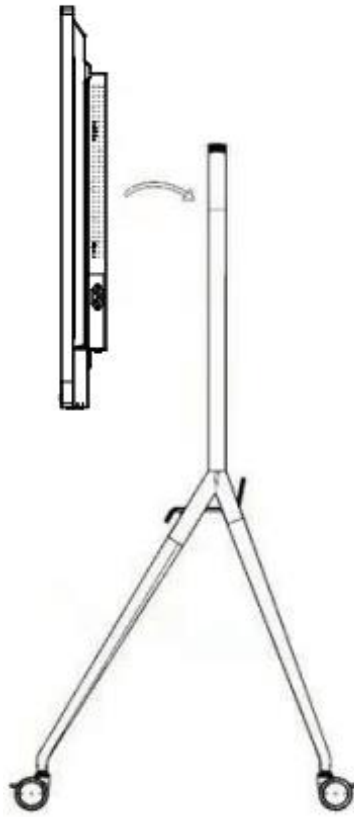
No.	Description	No.	Description
1 (From Left to Right)	HDMI input interface Multi-functional USB interface Multi-functional USB interface Multi-functional USB interface Type-C interface Light sensor Remote-control unit	2	NFC Operations refer to Unlock Card in 6.10 User Settings .
3 (From Left to Right)	Power key Volume – Volume + Android host menu Return Control menu Entity Key (Switch to PC by default. Custom operations refer to 6.8.2 Physical Button Settings)	4	Power switch
5	Power supply AC 100 ~ 240 V	6	Multi-functional USB interface
7	Android USB interface	8	HDMI 1 input interface
9	LAN 1 interface	10	LAN 2 interface
11	Peripheral touch interface	12	Serial port interface
13	Audio input interface	14	Audio output interface

▪ Installation



Hook Holes for Securing the Rear Panel





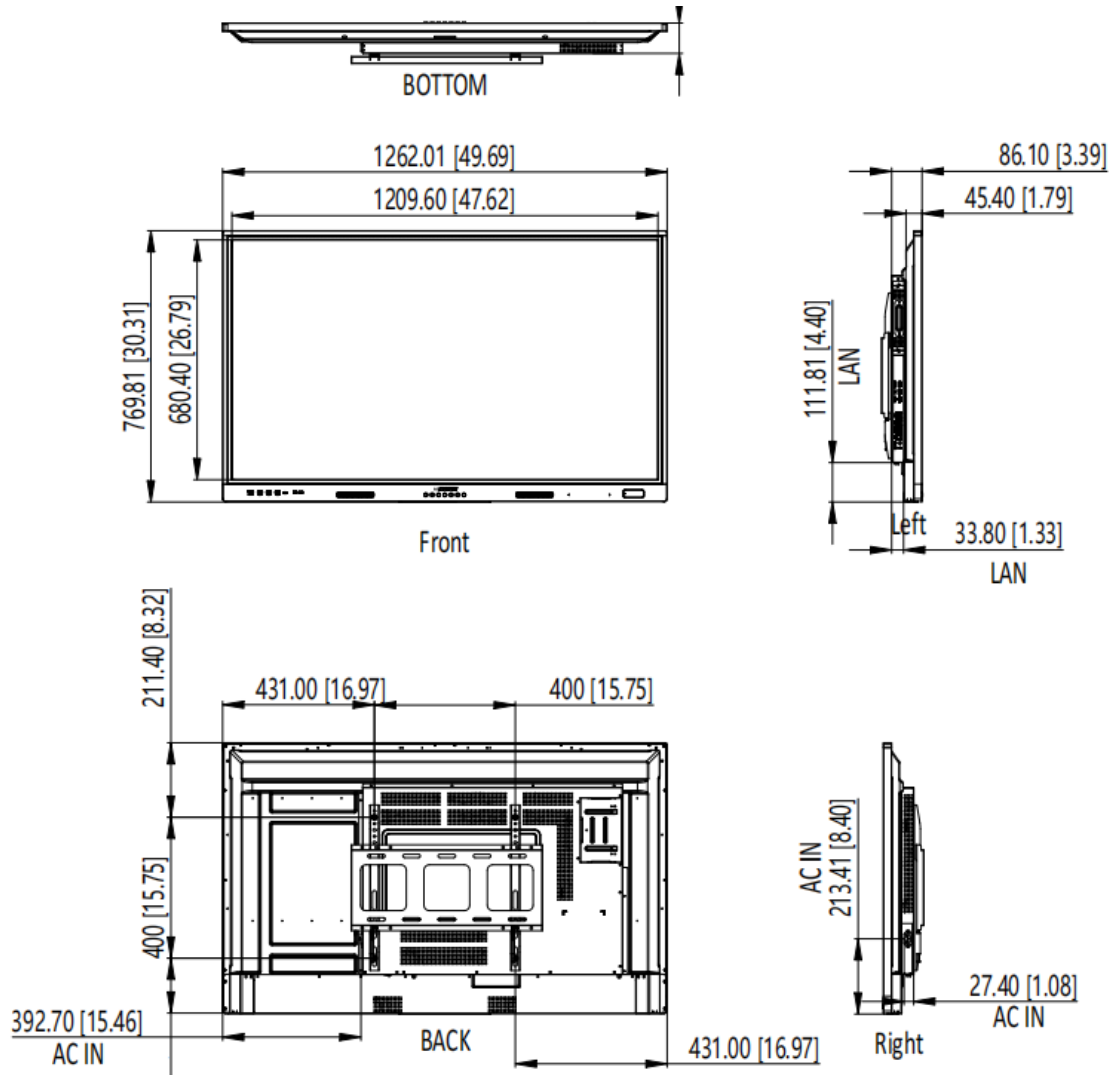
▪ **Available Model**

DS-D5B55RB/EL/Mainboard Kit

DS-D5B55RB/EL/8G+64G


DS-D5B65RB/EL/8G+64G

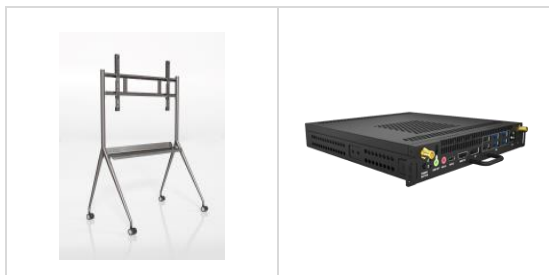
▪ **Dimension**



▪ **Accessory**

▪ **Optional**

DS-D5AC12T7-16S5	DS-D5SC3B-B	DS-D5SC3B-W	DS-D5ABKY3-SL	DS-D5ABKE1-A50
				
DS-D5ABKY2-S	DS-D5AC12T5-8S2			



See Far, Go Further



www.hikvision.com
support@hikvision.com

