

**AE-MD7163**  
**AE-MD7163**

AE-MD7163 series DVR is a professional solution to vehicle video and audio management with built-in Linux operating system. It supports audio output and AHD video output, featuring HD encoding/decoding, transmission based on 4G wireless network, satellite positioning, secure data storage, HDD vibration absorber, alarm input/output, driving information collecting and ports added for peripheral devices. It provides camera selection and coding solutions specialized in video and audio recording management for public transports, school buses, taxis, learner-driven vehicles, trucks, etc. The product also supports extended features like Driving Status Monitoring (DSM), Advanced Driver Assistance Systems (ADAS), Blind Spot Detection (BSD) and Driver Identification (DI), which can improve traffic security and reduce the vehicle accident.

- 16-channel analog HD camera access.
- Up to 2MP resolution of H.264/H.265 compression for each IP camera.
- Supports 2 × 2.5-inch SSD/HDD, where each SSD can be up to 4TB and each HDD can be up to 2TB.
- User-friendly GUI providing easy and flexible operations.
- Pluggable 4G module and Wi-Fi module providing flexible data transmission solutions.
- Built-in GPS module precisely positioning the vehicle via the satellite and recording the location information in the video stream.
- Information collection interfaces collecting driving information such as left/right turn, braking, reversing, etc.
- Specialized aviation connectors ensuring signal stability.
- Shutdown delay (0 h to 6 h) and 24-hour scheduled startup/shutdown.
- Build-in super-capacitor prevents the mobile NVR from damage caused by sudden power outage.
- Wide-range power input (+9 VDC to +36 VDC).
- Power-off protection prevents key data loss.
- Aluminum die-cast chassis with no fan design well adaptable to working environment.
- Software-based firewall supported.
- Supports accessing via WEB browser.
- Supports Driving Status Monitoring and Advanced Driver Assistance Systems.
- Supports recording backup on redundant HDD/SSDs.
- Maximum 5 ch can be selected for parallel operation from the following 7 AI algorithms (ADAS, DSM, DI, BSD-L, BSD-R, BSD-F, BSD-B), with the default 5-ch AI being ADAS + DSM + DI + BSD-R + BSD-L.

## ▪ Specification

Video/Audio Input	
Two-way Audio	1, integrated in EXT.DEV interface
IP Camera	8-ch IP cameras extendable via switch,supporting 1080P 30fps each.
Analog Camera	16-ch HIK wiring sequence analog HD camera, Max. 1080P
Video/Audio Output	
Audio Output	1, integrated in EXT.DEV interface
Video Output	AHD: 2,1 integrated in EXT.DEV interface,the other in analog camera CH1-8 interface,default AHD,configurable CVBS/AHD VGA: 1
Encoding/Decoding Parameters	
Video Compression	H.265,H.264,Smart H.264 and Smart H.265
Audio Compression	G.711a/G.711u/G.722.1/G.726
Audio Bit Rate	16 Kbps to 64Kbps
Stream Type	Video, video & audio
Dual Stream	Supported
Frame Rate	PAL: 1 to 25 fps; NTSC: 1 to 30 fps
Encoding Resolution	Main stream: 1080P/720P/WD1/4CIF Sub-stream: 720P/WD1/4CIF/2CIF/CIF
Wireless Network	
Dial-up	1 × 4G card slot, 1 × FAKRA antenna 5G module(optional) Warning: Industrial SIM cards should be used for the devices. We will not be responsible for any issue caused by using general SIM cards.
Wi-Fi	Wi-Fi Antenna Interface WI2.4G model: 1 × 2.4 G , WI5.8G model: 2 × 5.8 G (Optional. 802.11B/G/N and 802.11AC are selectable. 1 antenna is needed for 802.11B/G/N module. 2 antennas are needed for 802.11AC module)
Storage	
SD Card Storage	1 × SD card, up to 512 GB ( not for baseline. Note the SD card capacity when ordering )
HDD/SDD	2 × 2.5 inch HDD/SSD, SSD up to 4 TB,HDD up to 2TB HDD/SSD data can be exported locally via this converter (optional) Hard Disk Case with heating function (optional)
Auxiliary Interface	
Network Interface	Front panel :1 × 10M/100M/1000M RJ45 Rear panel: 1 × 10M/100M M12(6pin) Note : The front and rear network ports are at same network segments
Alarm Input	4 high/low level signal inputs, 1 pulse signal input, 1 BUTTON input
Alarm Output	2 relay signal outputs
Sensor-in	4 high/low level signal inputs
Serial Number Interface	2 × RS-232(harness is optional) 2 × RS-485 1 × RS-422,integrated in EXT.DEV interface

USB Interface	Front panel: 1 × USB 3.0 Rear panel: 1 × USB 2.0 (5-pin aviation connector)
CAN Interface	2 × CAN interface
<b>Positioning</b>	
GNSS (Global Navigation Satellite System)	GPS (Global Positioning System) & GLONASS (Global Navigation Satellite System), 1 × FAKRA antenna
<b>Sensor</b>	
G-Sensor	Built-in, 6-axis gyroscope
<b>Smart Function</b>	
Advanced Driving Assistance System (ADAS)	Supports detection and alerts for FCW/LDW/SLW/HMW/PCW/TSR
Driving Status Monitoring (DSM)	Supports detection and alerts for distraction/fatigue/calling/smoking/unfastened seat belt/yawning/absence from post/IR-blocking sunglasses/occlusion, with switchable A-pillar algorithm and formal attire algorithm
Blind Spot Detection (Right)	Supports front, rear, left, and right blind spot detection and alerts
Driver Identification	Supports driver modeling, driver detection & comparison, driver change alerts, abnormal identity detection & reporting, and attendance tracking
<b>General</b>	
Product Dimension	202 mm × 267.6 mm × 93.9 mm (7.95" × 10.54" × 3.7")
Power Supply	+9 to +36 VDC
Power Consumption	Standby: ≤ 0.5 W Full load: ≤ 99 W Note: Without peripheral and storage media ≤ 20 W
Operating Temperature	-25 °C to +70 °C (-13 °F to +158°F)
Operating Humidity	10% to 95% (non-condensing)
Operation Method	Mouse, IR remote control, Web control, and display screen
Weight (Without Storage Media)	3.03 kg

## ▪ Key Component

### Available Model

AE-MD7163

AE-MD7163+ AE-MP1460/GLF, (supports 4G dialing)

AE-MD7163+ AE-MP1460/GLF/WI58, (supports 4G dialing and 5.8G Wi-Fi)

AE-MD7163+ AE-MP1460/GLF/WI, (supports 4G dialing and 2.4G Wi-Fi)

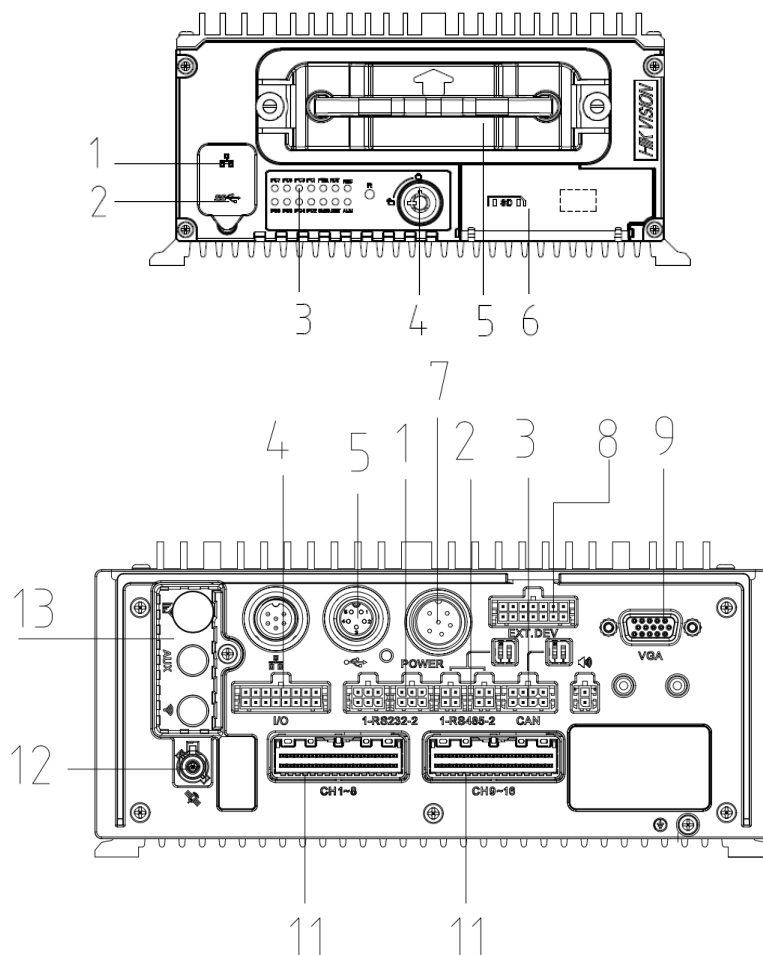
\* 4G and Wi-Fi functions are supported only when AE-MP1460 Mobile Wireless Component is equipped with AE-MD7163.

## ▪ Physical Interface

### Front Panel and Rear Panel

NO	Name	NO	Name
1	Network Interface	2	USB 3.0 Interface
3	Working Status Indicator	4	Mechanical Lock
5	HDD BOX	6	SD card slot
NO	Name	NO	Name
1	RS-232 Interface	2	RS-485 Interface
3	CAN Interface	4	I/O Interface
5	Disaster Recovery Box	7	Power Interface

	Interface		
8	Extension Interface	9	VGA Interface
11	Analog Camera Interface	12	GNSS antenna interface
13	Wireless Network module slot		

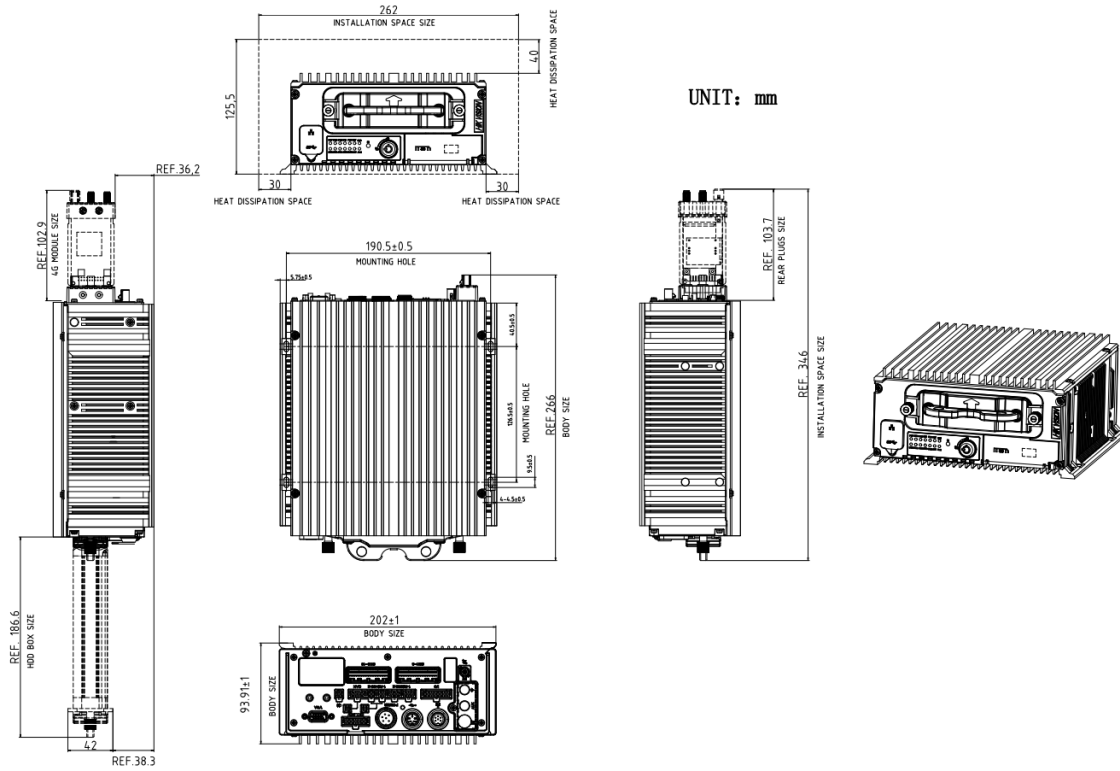


▪ **Installation Recommendation**

Packing List

Description	Quantity
Fuse	2
Key	1
Alarmline	1
Extension cable	1
GPS antenna	1
1-8 way audio and video cable	1
9-16 way audio and video cable	1
QUG	1

▪ **Dimension**



# See Far, Go Further



[www.hikvision.com](http://www.hikvision.com)  
[support@hikvision.com](mailto:support@hikvision.com)

