

DS-QAE0120G1R/EN
Analog Cabinet Speaker 20W EN54

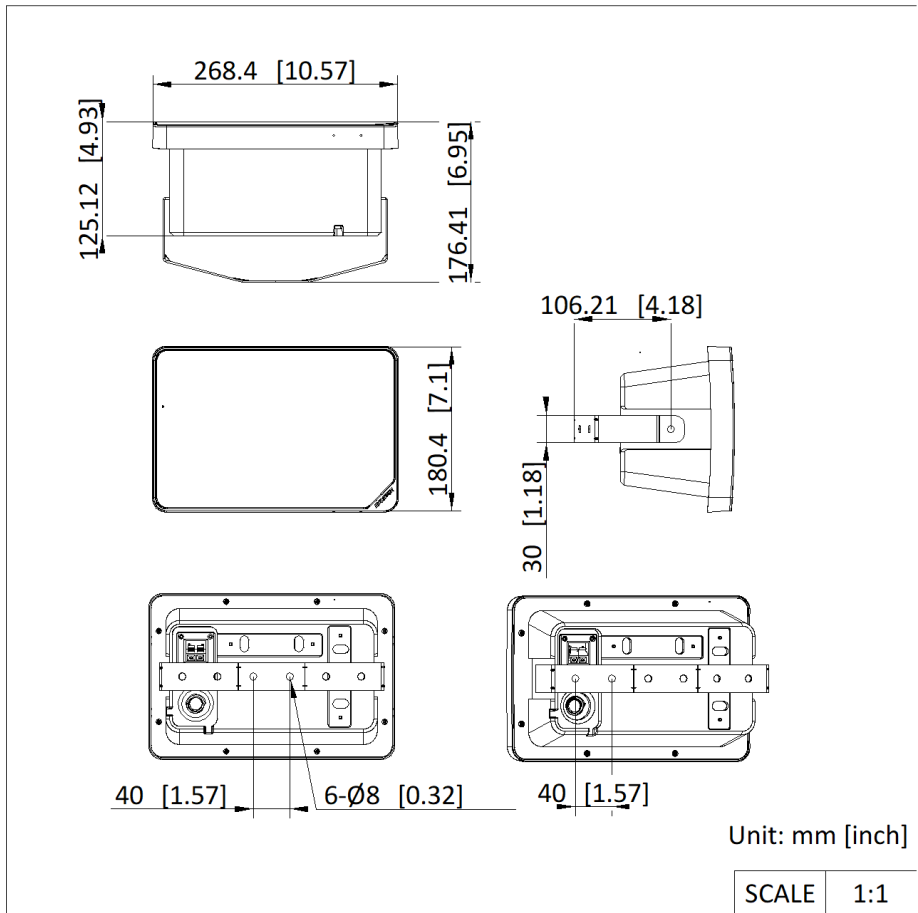


- 5.25" × 1
- Rated Power: 70 V: 5 W/10 W/15 W/20 W, 100 V: 5 W/10 W/15 W/20 W
- Sensitivity(1 m, 1 W): 90 dB ± 3 dB
- Max. SPL: 103 dB
- Frequency Response: 130 Hz to 17.5 kHz
- White or black appearance optional

▪ Specification

Speaker	
Rated Power	70 V: 5 W/10 W/15 W/20 W 100 V: 5 W/10 W/15 W/20 W
Impedance	8 Ω
Sensitivity(1 m, 1 W)	90 dB ± 3dB
Max. Acoustic Pressure	103 dBSPL
Direction	All directions
Frequency Response	130 Hz to 17.5 kHz
Speaker Unit	5.25" × 1
Interface	
Audio In	Fixed pressure in 100 V/Fixed pressure in 70 V/Fixed resistance input 8 Ω × 1
General	
Material	Main body&Front cover : plastic, bracket: metal
Operating Temperature	-30 °C to 60 °C (-22 °F to 140 °F)
Operating Humidity	< 90% (No condensation)
Dimension	268.4 mm × 180.4 mm × 125.12 mm (10.57" × 7.1" × 4.93")
Package Dimension	340 mm × 306 mm × 180 mm (13.39" × 12.05" × 7.09")
Weight	Approx. 1.5 kg (3.3 lb.)
Color	White or black appearance optional
With Package Weight	Approx. 2 kg (4.4 lb.)
Packing List	Device × 1 U-shaped bracket × 1 Screw pack × 1 Installation sticker × 1 Regulatory Compliance and Safety Information × 1

▪ Dimension



See Far, Go Further



www.hikvision.com
support@hikvision.com

