

DS-D5C65RB/A2L 65-inch 4K Interactive Display



The Hikvision WonderHub Interactive Flat Panel is an intelligent interactive display featuring a 4K UHD display, interactive control, and wireless screen casting. Powered by the WonderOS operating system and leveraging its WonderHub Class cloud platform and WonderHub AI capabilities, it is ideal for classrooms, training centers, meeting rooms, and other collaboration spaces.

- UHD 4K display with a resolution of 3840 × 2160 and 540 nits brightness.
- Anti-glare and anti-blocking design to ensure smooth interaction.
- Dual systems of Android and Windows (optional with 195×30×180mm OPS) saving cost and easy to use, video conferencing software is recommended to run on the Windows system.
- Quick response, at most 50-point touch control and smooth writing experience.
- Built-in network switch chip eliminates the need for an external network switch.
- Multi-button front design for convenient classroom use.
- All-in-one design with tempered glass and intelligent temperature control, making it environmentally friendly and safety-guaranteed.
- Built-in Android 14 system, EDLA certified.
- Dual full-function USB Type-C ports, supporting up to 100W total power delivery and DisplayPort 1.2 input.
- Built-in sensors for light, humidity, and temperature monitoring.

▪ Specification

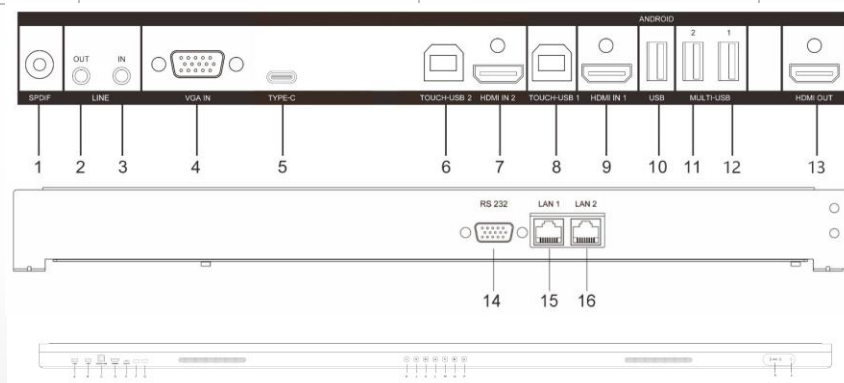
Product Model	
Product Model	DS-D5C65RB/A2L
Display	
Screen Size	65 inch
Backlight	DLED
Pixel Pitch	0.124 (H) × 0.372 (V) mm
Resolution	3840 × 2160 @60 Hz
Brightness	540 cd/m ² (Typ.)
Color Depth	10 bit (8 bit + FRC)
Display Color	1.07 G
Response Time	5 ms
Panel Type	VA
Contrast Ratio	5000:1 (Static) 30,000:1 (Dynamic)
Color Gamut	72% NTSC (CIE1931) (Typ.)
Refresh Rate	60 Hz
Viewing Angle	178° (H)/178° (V)
Aspect Ratio	16:9
Surface Hardness	9H (Pencil) 7 (Mohs)
Surface Glass	Anti-Glare & Anti-Fingerprint glass
Surface Haze	25% Haze
Glass Bonding Method	Zero Lamination
Display Area	1428.48 (H) × 803.52 (V)
Working Duration	7 × 16 H
Transmittance	88% ± 3
Lifespan	50,000 hours
Touch	
Type	Infrared Touch Screen
Touch Point	Up to 50-point multi-touch
Touch Response Time	≤ 2 ms
Minimum Touch Object	≥ 1.5 mm (≥ 90% touching area)
Touch Precision	± 0.5 mm (≥ 90% touching area)
Touch Resolution	32768 × 32768
Built-in System	
Operation System	Android 14.0
Memory	8 GB (Optional 16 GB) + Max 16 GB Virtual RAM
Built-in Storage	128 GB (Optional 256 GB)
Processor	Quad-core Cortex-A76 × 4 (2.4 GHz) and quad-core Cortex-A55 × 4 (1.8 GHz)
GPU	Mali-G610 MC4
HDCP Version	2.3 & 2.0 & 1.4
NPU	6TOPs
Internal Function	
Loudspeaker	Built-in 2 × 20 W + 25 W loudspeaker;

Language Supported	Simplified Chinese, German, Italian, Arabic, Portuguese, Dutch, French, Indonesian, Thai, Vietnamese, Japanese, Spanish, English, Czech, Danish, Hungarian, Polish, Turkish, Russian, Romanian, Slovak, Korean, Uzbek, Bulgarian, Greek, Swedish, Norwegian, Finnish, Croatian, Slovenian, Serbian, Hebrew, Ukrainian, Traditional Chinese (HK), Traditional Chinese (TW), Hindi, Latvian, Kazakh, Nepali
Bluetooth	Built-in BLE (Bluetooth Low Energy) module supports Bluetooth 5.4
NFC	Support card reader 13.56 MHz, (ISO 14443A/ ISO 14443B/ ISO 15693)
Light Sensor	Yes
AI Function	AI Assistant, AI Identify, and AI Notes. Free for a 1-year validity period with 6,000 minutes for AI Notes.
Whiteboard	Built-in whiteboard supports handwriting recognition, graphics recognition, document insertion, and more.
ScreenCast	Built-in WonderCast software supports screen casting for up to 9 devices simultaneously.
Humidity and Temperature Sensor	Relative humidity accuracy: up to ± 1.5 %RH; Temperature accuracy: up to ± 0.1 °C
Interface	
Video & Audio Input	HDMI 2.1 TMDS $\times 3$ (Front $\times 1$; Rear $\times 2$; Support HDCP2.3 & 2.0 & 1.4; Support HDMI CEC protocol) VGA $\times 1$ (Rear) Audio $\times 1$ (Rear)
Video & audio output	HDMI 2.1 TMDS $\times 1$ (Rear) Audio $\times 1$ (Rear) SPDIF $\times 1$ (Rear)
Control interface	TOUCH-USB 3.0 $\times 1$ (Front $\times 1$) TOUCH-USB 2.0 $\times 2$ (Rear $\times 2$) RS232 $\times 1$ (Rear)
Network Interface	LAN (1000 Mbps) $\times 2$ (Rear) Wi-Fi AP & Station, 2.4 G/5 G Wi-Fi 6, IEEE 802.11 a/b/g/n/ac/ax 2 $\times 2$ MIMO (2.4 GHz and 5 GHz) authentication protocols WEP, WPA, WPA2, PSK and 802.1X EAP
Data Transmission Interface	USB 3.0 $\times 4$ (Front $\times 2$; Rear $\times 2$) USB 2.0 $\times 1$ (Rear) Type-C $\times 2$ (Front $\times 1$; Rear $\times 1$; Support USB 2.0, 100 W charging functions, DP IN 1.2)
Power	
Power Supply	100 to 240 VAC, 50/60 Hz
Standby Consumption	≤ 0.5 W
Average Consumption	< 184 W
Working Environment	
Working Temperature	0 °C to 40 °C (32 °F to 104 °F)

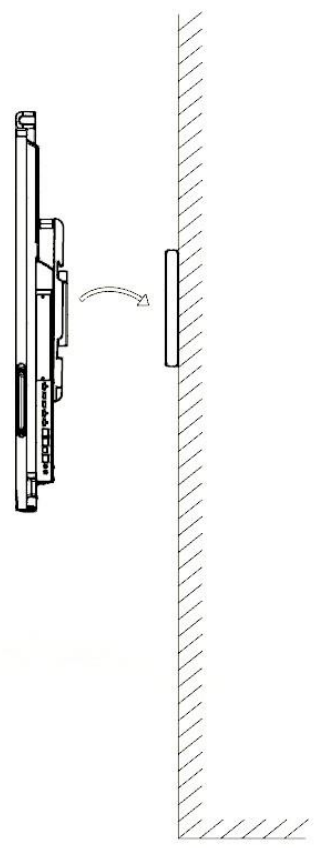
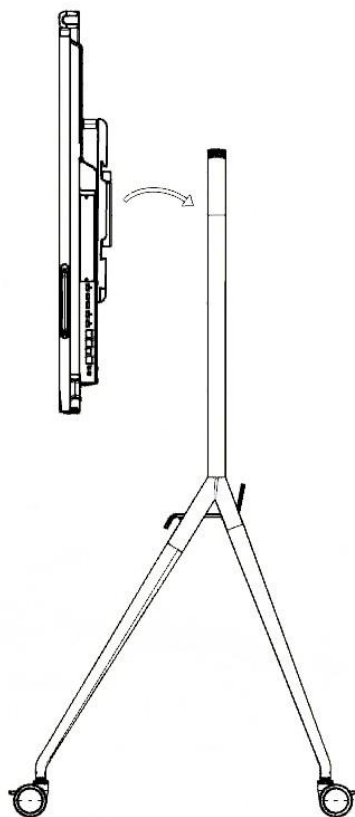
Working Humidity	10%~90% RH
General	
VESA	600 mm × 400 mm (4 × M8-25 mm)
Accessory	Wall mount bracket, hook, user manual, touch writing pen, packing list, 3 M touch USB cable, 3.5 M HDMI cable (2.0), 3 M power cable, remote control, screen cleaning cloth.
Package Dimensions (W × H × D)	1662 × 1062 × 223 mm
Net Weight	34.3 ± 0.5 kg
Gross Weight	46.7 ± 0.5 kg
Product Dimensions (With Wall Attachment)	1491.9 × 895.1 × 111.0 mm
Product Dimensions (Without Wall Attachment)	1491.9 × 895.1 × 82.3 mm

Physical Interface

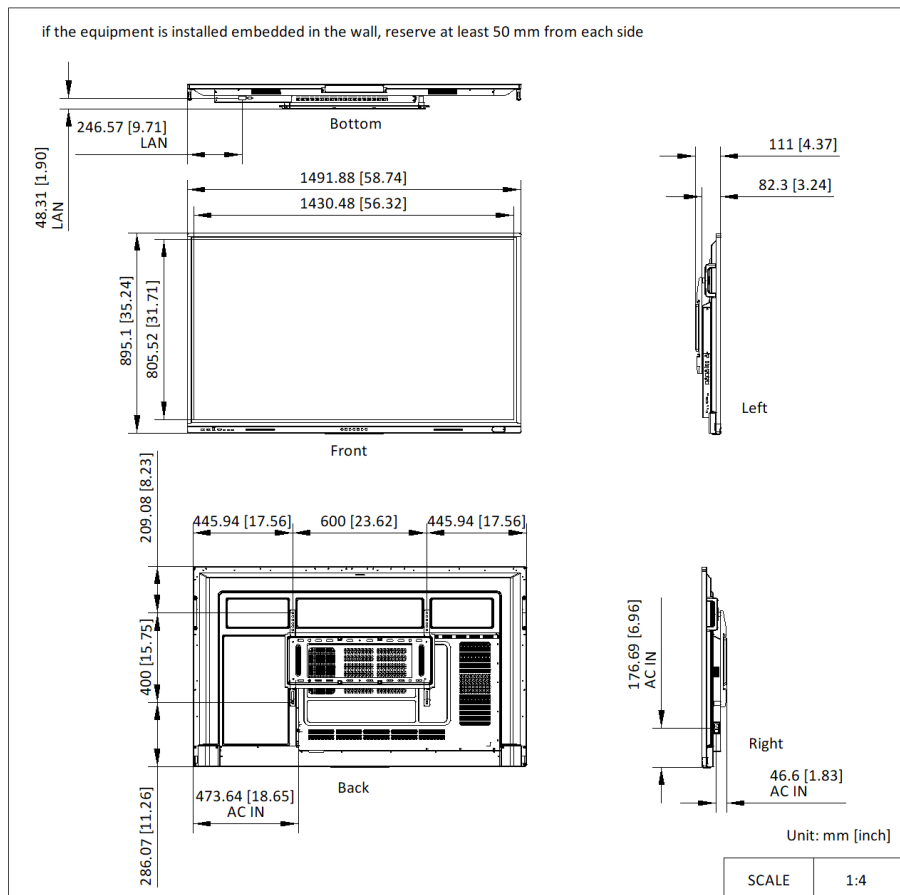
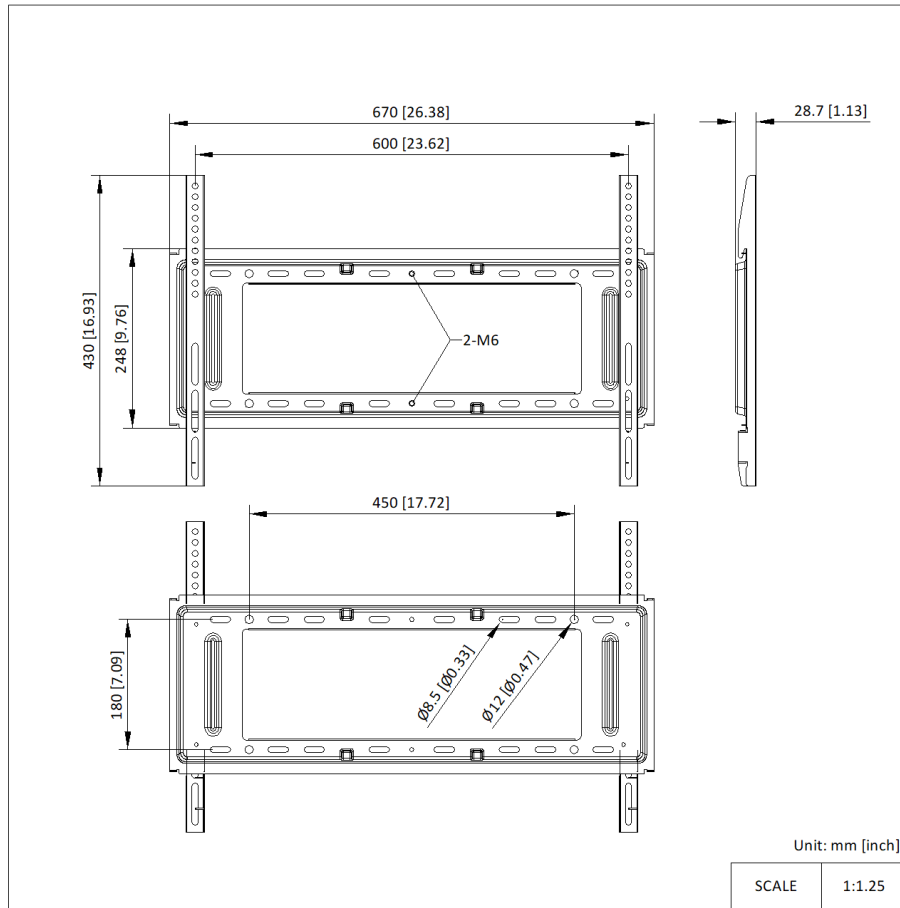
Interface	Description	Interface	Description
1.SPDIFF	SPDIFF interface	2.Line OUT	Audio output interface
3.Line IN	Audio input interface	4.VGA IN	Video devices connection interface
5.TYPE-C	Type-C interface with DP input	6.TOUCH-USB 2	Peripheral touch interface
7.HDMI IN 2	HDMI 2 input interface	8.TOUCH-USB	Peripheral touch interface
9.HDMI IN 1	HDMI 1 input interface	10.USB	USB 2.0 interface
11.MULTI-USB 2	Multi-functional USB 3.0 interface	12.MULTI-USB 1	Multi-functional USB 3.0 interface
13.HDMI OUT	HDMI output interface	14.RS 232	RS 232 Control interface
15.LAN 1	LAN 1 interface	16. LAN 2	LAN 2 interface
A.USB	USB 3.0 interface	B.USB	USB 3.0 interface
C.TOUCH-USB	Peripheral touch interface	D.HDMI IN	HDMI input interface
E.TYPE-C	Type-C interface with DP input	F.	Light sensor
G.	Remote-control unit	H.	Power Key
J.	Volume -	K.	Volume +
L.	Android host menu	M.	Return
N.	Control menu	P.	PC shutdown
R.	NFC area	S.	Humidity&Temperature Sensor



▪ Installation



▪ Dimension



▪ **Optional**

DS-D5AC13T5-8S2	DS-D5AC13T7-16S5	DS-UVC-X12	iDS-UVC-X28	DS-D5SC3B-W
				
DS-D5SC3B-B	DS-D5ABKY2-S	DS-D5ABKY3-EL	DS-D5AC12T7-16S5	DS-D5AC12T5-8S2
				

See Far, Go Further



www.hikvision.com
support@hikvision.com

