

DS-7616NXI-I2/VPro AcuSeek NVR



- H.265+/H.265/H.264+/H.264 video formats
- Intelligent analytics based on Guanlan Large-Scale AI Models
- Up to 16-ch AcuSeek and AcuSearch function
- Up to 8-ch facial recognition for face picture
- Up to 16-ch IP camera inputs
- Up to 32-ch 1080p decoding capability
- Up to 8-ch IP speakers can be connected

▪ Function

Compression and Recording

- H.265+ compression effectively reduces the storage space by up to 75%
- Full channel IP cameras connection
- Compatible to third-party network cameras

HD Video Output

- Provide independent HDMI and VGA outputs
- HDMI video output at up to 4K resolution

Storage and Playback

- Up to 2 SATA interfaces for HDD connection
- 8-ch synchronous playback

Smart & POS Function

- Support multiple VCA (Video Content Analytics) events
- Supports AcuSearch and acuseek, allowing users to free text search events and targets.
- Smart search for the selected area in the video, and smart playback to improve the playback efficiency
- POS information overlay on live view and playback
- POS triggered recording and alarm

Network & Ethernet Access

- 2 self-adaptive 10/100/1000 Mbps Ethernet interfaces
- Hik-Connect & DDNS (Dynamic Domain Name System) for easy network management

▪ Specification

Intelligent Analytics	
AI by NVR	Facial recognition
AI by NVR and Camera	Facial recognition, perimeter protection, video structuralization, AcuSearch, motion detection 2.0, ANPR, people counting, AcuSeek
Engine	2 engines. 1 is for face picture and AcuSearch. 1 is for AcuSeek
AcuSearch	
Performance	If the cameras support Hikvision AcuSense Technology and have enabled AcuSearch function, the NVR supports AcuSearch in all channels, capable of modeling 300,000 targets/day.
AcuSeek	
Performance	If the cameras support Hikvision AcuSense Technology and have enabled AcuSearch function, the NVR supports AcuSeek in all channels, capable of modeling 300,000 targets/day.
Search Language	English, French, Italian, German, Polish, Portuguese, Thai, Russian, Arabic, Turkish, Spanish, Dutch, Romanian, Czech, Swedish, Croatian, Latvian, Ukrainian, Hungarian, Danish, Japanese, Korean, Vietnamese, Indonesian, Brazilian Portuguese, Traditional Chinese
Facial Recognition	
Face Picture Library	Up to 16 face picture libraries, with up to 50,000 face pictures in total (each picture ≤ 512 KB, total capacity ≤ 1 GB)
Face Picture Comparison	8-ch
Facial Detection and Analytics	Face picture comparison, human face capture, face picture search
Facial Detection and Analytics Performance	4-ch human face capture (HD network camera, 4-ch 2MP, 2-ch 4MP, 1-ch 8MP, H.264/H.265)
ANPR	
By Camera	<p>All channels</p> <p>Support Countries & Regions:</p> <ol style="list-style-type: none"> 1. Myanmar, Philippines, Indonesia, Vietnam, Pakistan, New Zealand, Australia, Sri Lanka, Singapore, Malaysia 2. Turkey, Croatia, Slovakia, Czech Republic, Bulgaria, Macedonia, Hungary, Greece, Poland, France, Netherlands, Switzerland, Spain, The United Kingdom, Ireland, Germany, Italy, Austria, Palestine, Latvia, Lithuania, Estonia, Belgium, Luxembourg, Ukraine, Uzbekistan, Kazakhstan, Mongolia, Moldova, Kyrgyzstan, Azerbaijan, Georgia, Armenia, Albania, Kosovo, Belarus, Cyprus, Denmark, Finland, Malta, Portugal, Romania, Slovenia, Sweden, Israel, Bosnia and Herzegovina, Turkmenistan, Montenegro, Serbia, Tajikistan, Iceland, Liechtenstein 3. Argentina, Brazil, Chile, Colombia, Peru, Ecuador, Paraguay, Uruguay, Salvador, Bolivia, Canada, Algeria, Mexico, Panama, Costa Rica, Nigeria, Kenya, Mauritius, Tanzania, Cote d'Ivoire, South Africa, Tunisia, Sierra Leone, Zambia, Ghana, Zimbabwe, Uganda, Angola, Ethiopia, Republic of Trinidad and Tobago, Dominica, Guatemala, Senegal, Algeria, Cameroon 4. Qatar, Kuwait, Oman, Jordan, Lebanon, Iraq, United Arab Emirates, Saudi Arabia, Bahrain, Egypt, Libya

Vehicle Attributes	Plate number, license plate color, license plate type
Plate Attributes	Vehicle brand, vehicle color, vehicle type
Video and Audio	
IP Video Input	16-ch
Incoming Bandwidth	160 Mbps
Outgoing Bandwidth	256 Mbps
HDMI Output	4K (3840 × 2160)/30 Hz, 2K (2560 × 1440)/60 Hz, 1920 × 1080/60 Hz, 1280 × 720/60 Hz
VGA Output	1920 × 1080/60 Hz, 1280 × 720/60 Hz
Video Output Mode	HDMI/VGA independent output
CVBS Output	NA
Audio Output	1-ch, RCA (Linear, 1 KΩ)
Two-Way Audio	1-ch, RCA (2.0 Vp-p, 1 KΩ)
Decoding	
Decoding Format	H.265+, H.265, H.264+, H.264
Recording Resolution	32 MP/24 MP/12 MP/8 MP/6 MP/5 MP/4 MP/3 MP/1080p/UXGA/720p/VGA /4CIF/DCIF/2CIF/CIF/QCIF *: The NVR supports up to 4-ch 32 MP/24 MP IP video inputs.
Synchronous playback	16-ch
Live View Window Division	1/2/4/6/8/9/16
Aux Port Window Division	1/2/4/6/8/9/16
Decoding Capability	Enable AI by NVR: 20-ch@1080p (30 fps) Disable AI by NVR: 32-ch@1080p (30 fps)
Audio Compression	G.711ulaw/G.711alaw/G.722/G.726/AAC/MP2L2/PCM
Dual-Stream Recording	Support
Stream Type	Video, Video & Audio
Network	
Network Interface	2, RJ-45 10/100/1000 Mbps self-adaptive Ethernet interface
Remote Connection	128
Network Protocol	TCP/IP, DHCP, IPv4, IPv6, DNS, DDNS, NTP, RTSP, SADP, SMTP, SNMP, NFS, iSCSI, ISUP, UPnP™, HTTP, HTTPS, ONVIF(Version 2.2), OTAP
API	ONVIF (profile S/G); SDK; ISAPI
Compatible Browser	IE11, Chrome V57, Firefox V52, Safari V12, Edge V89, or above version
Camera Access Protocol	ONVIF(Version 2.5), RTSP
Auxiliary Interface	
SATA	2 SATA interfaces
Capacity	Up to 20 TB capacity for each disk
Alarm In/Out	4/1
USB Interface	Front panel: 1 × USB 2.0; Rear panel: 1 × USB 3.0
General	
Power Supply	100 to 240 VAC, 50 to 60 Hz
GUI Language	English, Russian, Bulgarian, Hungarian, Greek, German, Italian, Czech, Slovak, French, Polish, Dutch, Portuguese, Spanish, Romanian, Turkish, Japanese, Danish, Swedish Language, Norwegian, Finnish, Korean, Traditional Chinese, Thai, Estonian, Vietnamese, Croatian, Slovenian, Serbian, Latvian, Lithuanian, Uzbek, Kazakh, Arabic, Ukrainian, Kyrgyz, Brazilian Portuguese, Indonesian, Hebrew
Consumption	≤ 50 W (without HDD)

Working Temperature	-10 °C to 55 °C (14 °F to 131 °F)
Working Humidity	10% to 90%
Chassis	1U chassis
Dimension (W × D × H)	384 × 371 × 52 mm (15.12" × 12.48" × 2.03")
Weight	≤4 kg (without HDD, 5.5 lb.)
Certification	
Obtained Certification	CE, CB, REACH, WEEE, UKCA, RCM, IC, LOA, KC
CE	EN 55032:2015, EN 61000-3-2, EN 61000-3-3, EN 50130-4

▪ Typical Application

Typical Application

① Using the AcuSeek function, users can input target characteristic descriptions to search for corresponding targets. Then system will return search results matching the description.

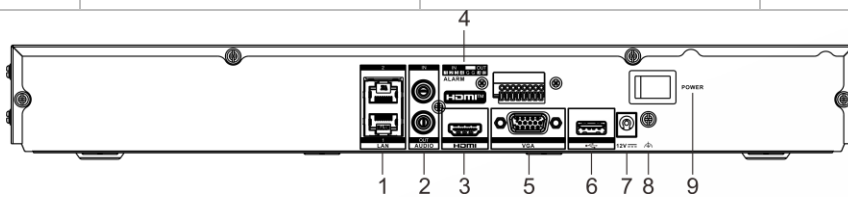


② Once the target is identified, use the AcuSearch function to retrieve all capture of the target across all channels and trace historical events.

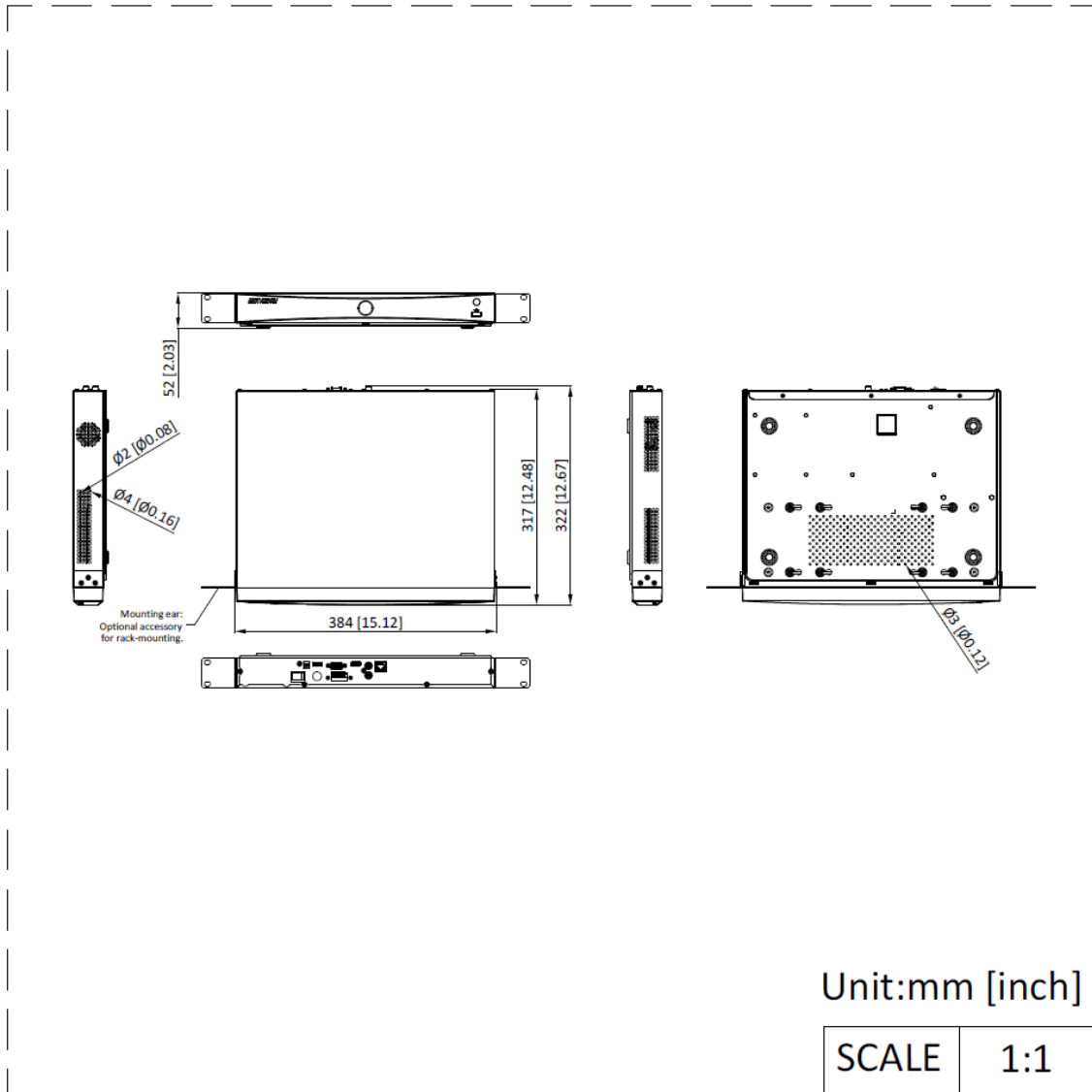


▪ Physical Interface

No.	Description	No.	Description
1	LAN interfaces	6	USB interface
2	Audio in and out	7	12V power supply
3	HDMI interface	8	GND
4	Alarm in and out	9	Power switch
5	VGA interface		



▪ Dimension



See Far, Go Further



www.hikvision.com
support@hikvision.com

