

DS-D5024F2-5V2(O-STD)(UK)
23.8 inch FHD 100Hz VA Monitor



- VA technology, 178° ultra-wideview screen.
- 8 bit LVDS FHD (1920×1080) display.
- 100Hz refresh rate, more fluid and life-like video.
- Ultra-thin device body with ultra-thin border for 3 sides.
- Low blue light design for eye care.
- Dual interface of HDMI and VGA.

▪ Specification

Display	
Screen Size	23.8 inch , 60.45 cm
Active Display Area	527.04 (H) mm × 296.46 (V) mm, 15.6 dm ²
Resolution	1920 × 1080
Backlight	E-LED
Pixel Pitch	0.2745 mm (H) × 0.2745 mm (V)
Brightness	250 cd/m ²
Viewing Angle	178° (H) / 178° (V)
Color Depth	8 bit, 16.7 M
Contrast Ratio	4000 : 1
Response Time	7ms (typ)
Refresh Rate	100 Hz
Haze	Haze 25%
Reliability	7 × 16 H
Color Gamut	72% NTSC
Interface	
Video & Audio Input	HDMI 1.4 × 1, VGA x 1
Video & Audio Output	Audio Out × 1
Data Transmission Interface	None
Control Interface	None
Power	
Power Supply	DC 12 V, 2.0 A
Power Consumption	≤ 24 W
Standby Consumption	≤ 0.5 W
Working Environment	
Working Temperature	0 °C to 40 °C (32 °F to 104 °F)
Working Humidity	20% to 90% RH (Non-Condensing)
Storage Temperature	-20 °C to 60 °C (-4 °F to 140 °F)
Storage Humidity	10% to 90% RH (Non-Condensing)
General	
Speaker	None
Casing Material	Plastic
VESA	75 mm × 75 mm (4-M4 × 6 mm)
Bezel Width	2mm (up/left/right), 23.55 mm (down)
Product Dimensions (W × H × D)	With base: 539.7 (W) mm × 427.82 (H) mm × 185.74 (D) mm 21.25 (W) inch × 16.84 (H) inch × 7.31 (D) inch Without base: 539.7 (W) mm × 327.33 (H) mm × 42.7 (D) mm 21.25 (W) inch × 12.89 (H) inch × 1.68 (D) inch
Standby Time	600s
Package Dimensions (W × H × D)	647 (W) mm × 440 (H) mm × 111 (D) mm 25.47 (W) × 17.32 (H) × 4.37 (D) inch
Net Weight	2.4 ± 0.5 kg (5.3 ± 1.1 lb)
Gross Weight	3.8 ± 0.5 kg (8.4 ± 1.1 lb)

Packing List	Monitor × 1, Base component × 1, Power adapter (12 V, 2 A) × 1, HDMI cable (1.5 m) × 1, User manual × 1, Multilingual manual × 1
Remarks	The base is included by default. The product appearance and parameters in this specification may vary from your actual device. Please consult our local sales staff for further information

▪ Physical Interface

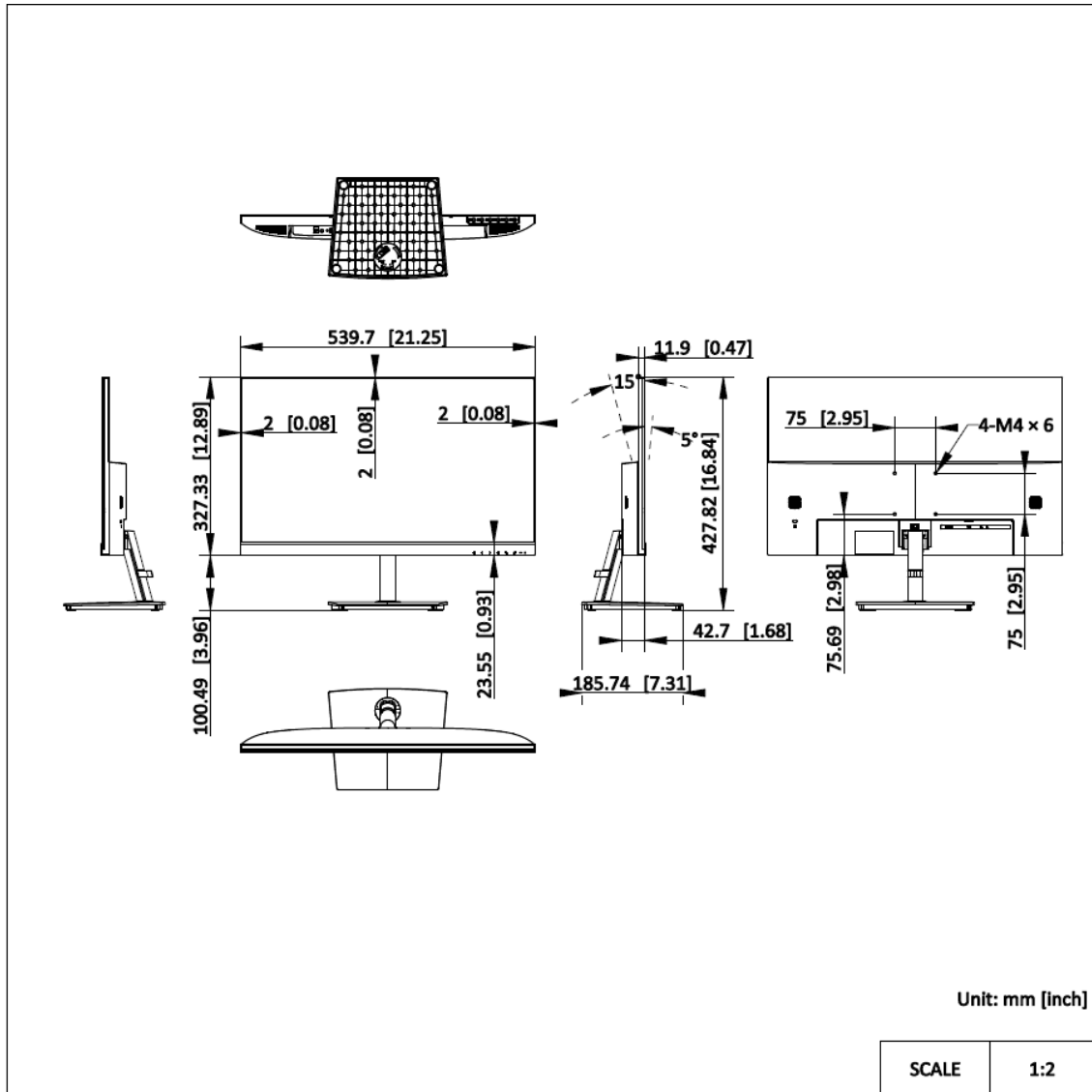
Interface	Description	Interface	Description
HDMI	HDMI digital signal input interface	VGA	VGA analog signal input interface
Audio Out	3.5mm Audio outout interface	DC	DC power input interface





▪ Available Model

DS-D5024F2-5V2

▪ Dimension



- Accessory
- Optional

DP-D501940-1X1-Q	DS-DM1940W
1-NW-Q0.1-TY/V20	
0	
	

See Far, Go Further



www.hikvision.com
support@hikvision.com

