

DS-2CD3646G2T-LIDZSU/4G/SL(256G)(1T) 4 MP Smart Hybrid Light with 4G Varifocal Bullet Network Camera

Powered by

DarkFighter



AcuSense 3.0



Empowered by deep learning algorithms, Hikvision AcuSense technology brings human and vehicle targets classification alarms to front- and back-end devices. The system focuses on human and vehicle targets, vastly improving alarm efficiency and effectiveness.

Hikvision has been dedicated to develop products with security since established.

Hikvision always follows security by design principle and has adopted many methods of security technologies into our product development lifecycle, including terminal security, data security, application security, network security, and privacy protection.

In the meantime, the security technologies used by Hikvision are all in compliance with local applicable laws and safety regulations. These security measures could enhance product's cyber security protection capability and protect your devices as well as your data from malicious cyber attacks.

- Supports Hikvision Embedded Open Platform (HEOP) and importing third party applications
- Supports 1.5 Tops computing power, 60 MB system memory, 401 MB smart RAM, and 2 GB eMMC storage for sharing resources
- High quality imaging with 4 MP resolution
- Excellent low-light performance with powered-by-DarkFighter technology
- Efficient H.265+ compression technology
- Clear imaging against strong back light due to 120 dB true WDR technology
- Focus on human and vehicle targets classification based on deep learning
- Audio and alarm interface available
- 3D DNR technology delivers clean and sharp images
- Motorized varifocal lens for easy installation
- Water and dust resistant (IP67)
- Support 4G

▪ Specification

| Camera | |
|-------------------------|---|
| Image Sensor | 1/3" Progressive Scan CMOS |
| Max. Resolution | 2688 × 1520 |
| Min. Illumination | Color: 0.003 Lux @ (F1.4, AGC ON), B/W: 0 Lux with IR |
| Shutter Time | 1 s to 1/100,000 s |
| Day & Night | IR cut filter |
| Angle Adjustment | Pan: 0° to 360°, tilt: 0° to 90°, rotate: 0° to 360° |
| Lens | |
| Lens Type | Varifocal lens, motorized lens, 2.7 to 13.5 mm |
| Focal Length & FOV | 2.7 to 13.5 mm, horizontal FOV 107.6° to 32.9°, vertical FOV 56° to 18.5°, diagonal FOV 130.9° to 37.8° |
| Lens Mount | Ø14 |
| Focus | Auto |
| Iris Type | DC iris |
| Aperture | F1.38 to F2.8 |
| Depth of Field | 1 m to ∞ |
| DORI | |
| DORI | Wide: D: 64.0 m, O: 25.3 m, R: 12.8m, I: 6.4 m Tele: D: 187.8 m, O: 74.5 m, R: 37.5 m, I: 18.7 m |
| Illuminator | |
| Supplement Light Type | IR, White Light |
| Supplement Light Range | Up to 60 m |
| Smart Supplement Light | Yes |
| IR Wavelength | 850 nm |
| HEOP | |
| Open Resources | Memory: 60 MB, Smart RAM: 401 MB, eMMC: 2 GB |
| Computing Power | 1.5 TOPS |
| Open Capability | HEOP 2.0 OpendevSDK |
| Deep Learning Structure | Caffe, PyTorch, TensorFlow, PaddlePaddle, ONNX |
| Programming Language | C, C++ |
| Video | |
| Main Stream | 50 Hz: 25 fps (2688 × 1520, 1920 × 1080, 1280 × 720) 60 Hz: 30 fps (2688 × 1520, 1920 × 1080, 1280 × 720) |
| Sub-Stream | 50 Hz: 25 fps (1280 × 720, 768 × 432, 640 × 360) 60 Hz: 30 fps (1280 × 720, 768 × 432, 640 × 360) |
| Third Stream | 50 Hz: 10 fps (1920 × 1080, 1280 × 720, 640 × 480, 640 × 360) 60 Hz: 10 fps (1920 × 1080, 1280 × 720, 640 × 480, 640 × 360) |
| Fourth Stream | 50 Hz: 10 fps (1280 × 720, 640 × 480, 640 × 360) 60 Hz: 10 fps (1280 × 720, 640 × 480, 640 × 360) |
| Video Compression | Main stream: H.265/H.264/H.264+/H.265+, Sub-stream: H.265/H.264/MJPEG, Third stream: H.265/H.264, Fourth stream: H.265/H.264/MJPEG |

| | |
|-------------------------------|---|
| Video Bit Rate | 32 Kbps to 8 Mbps |
| H.264 Type | Baseline Profile,Main Profile,High Profile |
| H.265 Type | Main Profile |
| Bit Rate Control | CBR,VBR |
| Scalable Video Coding (SVC) | H.264 and H.265 encoding |
| Region of Interest (ROI) | 5 fixed regions for main stream |
| Target Cropping | Yes |
| Audio | |
| Audio Type | Mono sound |
| Audio Compression | G.711/G.722.1/G.726/MP2L2/PCM/MP3/AAC-LC |
| Audio Bit Rate | 64 Kbps (G.711ulaw/G.711alaw)/16 Kbps (G.722.1)/16 Kbps (G.726)/32 to 192 Kbps (MP2L2)/8 to 320 Kbps (MP3)/16 to 64 Kbps (AAC-LC) |
| Audio Sampling Rate | 8 kHz/16 kHz/32 kHz/48 kHz |
| Environment Noise Filtering | Yes |
| Network | |
| Protocols | TCP/IP, ICMP, HTTP, HTTPS, FTP, DHCP, DNS, DDNS, RTP, RTSP, NTP, UPnP, SMTP, IGMP, 802.1X, QoS, IPv4, IPv6, UDP, Bonjour, SSL/TLS, PPPoE, SFTP, ARP, SNMP, WebSocket, WebSockets, SRTP |
| Simultaneous Live View | Up to 6 channels |
| API | ONVIF (ProfileS, ProfileG, ProfileT),ISAPI,SDK,ISUP |
| User/Host | Up to 32 users 3 user levels: administrator, operator, and user |
| Security | Password protection, complicated password, HTTPS encryption, 802.1X authentication (EAP-TLS, EAP-LEAP, EAP-MD5), watermark, IP address filter, basic and digest authentication for HTTP/HTTPS, WSSE and digest authentication for Open Network Video Interface, RTP/RTSP over HTTPS, control timeout settings, security audit log, TLS 1.1/1.2/1.3, host authentication (MAC address) |
| Network Storage | NAS (NFS, SMB/CIFS),Auto Network Replenishment (ANR), Together with high-end Hikvision memory card, memory card encryption and health detection are supported. |
| Client | iVMS-4200,Hik-Connect,Hik-Central |
| Web Browser | Plug-in required live view: IE 10, IE 11, Plug-in free live view: Chrome 57.0+, Firefox 52.0+, Edge 89+, Local service: Chrome 57.0+, Firefox 52.0+, Edge 89+ |
| Mobile Communication | |
| Standard | LTE-FDD,LTE-TDD |
| Frequency | EU: LTE-FDD: B1/B3/B5/B7/B8/B20/B28 LTE-TDD: B38/B40/B41 LA: LTE-FDD: B1/B2/B3/B4/B5/B7/B8/B12/B17/B28/B66 LTE-TDD: B38/B40 |
| Uplink and Downlink Data Rate | Cat 4, uplink: 50 Mbps, downlink: 150 Mbps |
| SIM Card Type | Micro SIM |
| Image | |
| Image Parameters Switch | Yes |

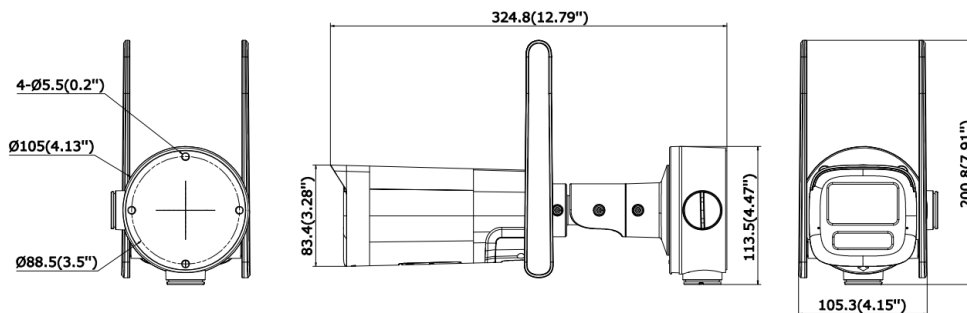
| | |
|----------------------------------|--|
| Image Settings | Rotate mode,saturation,brightness,contrast,sharpness,gain,white balance,adjustable by client software or web browser |
| Day/Night Switch | Day,Night,Auto,Schedule,Alarm Trigger |
| Wide Dynamic Range (WDR) | 120 dB |
| Image Enhancement | BLC,HLC,3D DNR,Defog |
| SNR | ≥ 52 dB |
| Privacy Mask | 8 programmable polygon privacy masks |
| Interface | |
| Ethernet Interface | 1 RJ45 10 M/100 M self-adaptive Ethernet port |
| On-Board Storage | Built-in memory card slot, support microSD/microSDHC/microSDXC card, up to 512 GB |
| Audio | 1 input (line in), two-core terminal block, max. input amplitude: 3.3 Vpp, input impedance: 4.7 KΩ, interface type: non-equilibrium, 1 output (line out), two-core terminal block, max. output amplitude: 3.3 Vpp, output impedance: 100 Ω, interface type: non-equilibrium |
| Alarm | 1 input, 1 output (max. 24 VDC/24 VAC, 1 A) |
| Built-in Microphone | 2 built-in microphones |
| Reset Key | Yes |
| Built-in Speaker | 1 built-in speaker,Max. power consumption: 2 W, max. sound pressure level: 10 cm: 97 dB. |
| RS-485 | 1 RS-485 (Half duplex, HIKVISION, Pelco-P, Pelco-D, self-adaptive) |
| Event | |
| Basic Event | Motion detection (support alarm triggering by specified target types (human and vehicle)),video tampering alarm,exception |
| Smart Event | Scene change detection,audio exception detection,defocus detection, unattended baggage detection, object removal detection |
| Linkage | Upload to FTP/NAS/memory card,notify surveillance center,send email,trigger alarm output,trigger recording,trigger capture,audible warning,white light flashing |
| Deep Learning Function | |
| Perimeter Protection | Line crossing, intrusion, region entrance, region exiting Support alarm triggered by specified target types (human and vehicle) |
| Face Capture | Yes |
| People Counting | Yes |
| General | |
| Power | 12 VDC ± 25%, 1.25 A, max. 15 W,∅5.5 mm coaxial power plug,reverse polarity protection |
| Material | Front cover: Metal, body: Plastic, bracket: Metal |
| Dimension | 324.8 mm × 105.3 mm × 200.8 mm (12.79" × 4.15" × 7.91") |
| Package Dimension | 350 mm × 195 mm × 150 mm (13.8" × 7.7" × 5.9") |
| Weight | Approx. 940 g (2.07 lb.) |
| With Package Weight | Approx. 1680 g (3.70 lb.) |
| Storage Conditions | -30 °C to 60 °C (-22 °F to 140 °F). Humidity 95% or less (non-condensing) |
| Startup and Operating Conditions | -30 °C to 60 °C (-22 °F to 140 °F). Humidity 95% or less (non-condensing) |
| General Function | Heartbeat,anti-banding,mirror,flash log,password reset via email,pixel counter |

| | |
|-----------------|---|
| Language | 33 languages: English, Russian, Estonian, Bulgarian, Hungarian, Greek, German, Italian, Czech, Slovak, French, Polish, Dutch, Portuguese, Spanish, Romanian, Danish, Swedish, Norwegian, Finnish, Croatian, Slovenian, Serbian, Turkish, Korean, Traditional Chinese, Thai, Vietnamese, Japanese, Latvian, Lithuanian, Portuguese (Brazil), Ukrainian |
| Flashing Light | White Light |
| Approval | |
| EMC | CE-EMC: EN 55032:2015+A1:2020, EN 50130-4:2011+A1:2014, EN IEC 61000-3-2:2019+A1:2021, EN 61000-3-3:2013+A1:2019+A2:2021 |
| Safety | CB: IEC 62368-1:2014+A11 |
| Environment | CE-RoHS: 2011/65/EU, WEEE: 2012/19/EU, Reach: Regulation (EC) No 1907/2006 |
| Protection | IP67: IEC 60529-2013 |

▪ Available Model

- DS-2CD3646G2T-LIDZSU/4G/SL(2.7-13.5)OSTD
- DS-2CD3646G2T-LIDZSU/4G/SL(27135)OSTD/LA
- DS-2CD3646G2T-LIDZSU/4G/SL256G27135O-STD
- DS-2CD3646G2T-LIDZSU/4G/SL256G27135STDLA
- DS-2CD3646G2T-LIDZSU/4G/SL(1T)27135O-STD
- DS-2CD3646G2T-LIDZSU/4G/SL1T27135O-STDLA

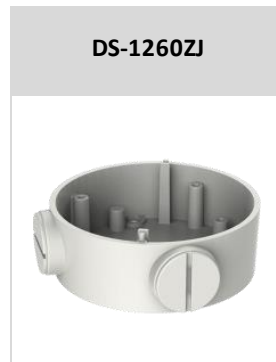
▪ Dimension



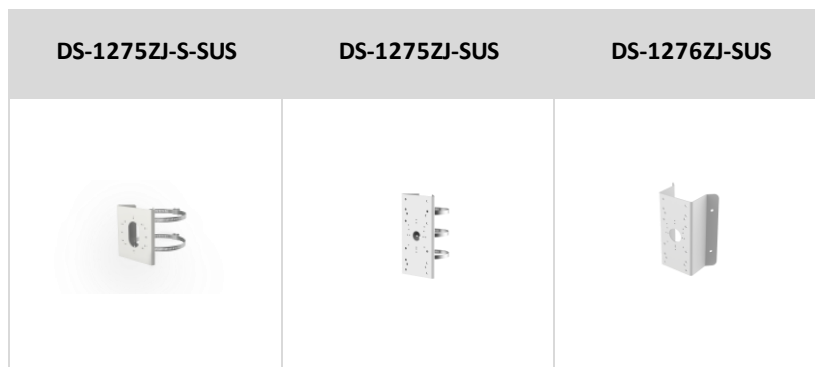
Unit: mm(inch)

▪ **Accessory**

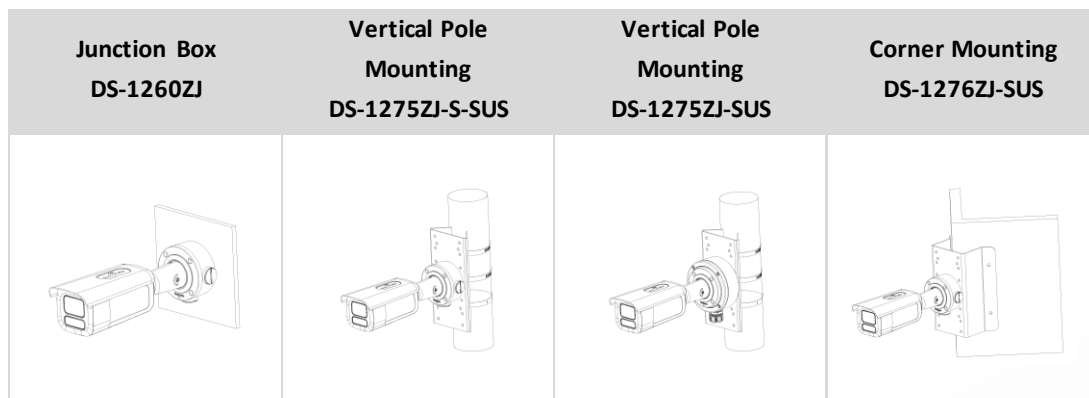
▪ **Included**



▪ **Optional**



▪ **Installation Methods**



See Far, Go Further



www.hikvision.com
support@hikvision.com

