

DS-TDP110-S LoRa Geomagnetic Detector

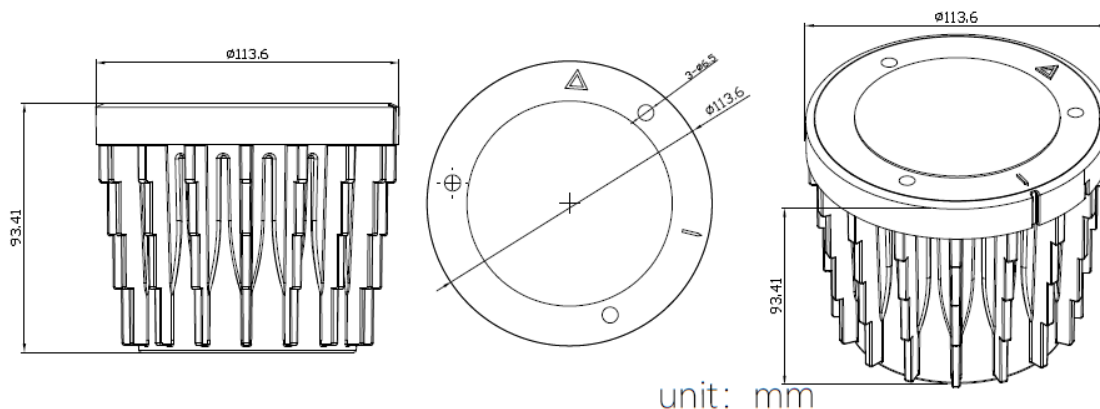


- Based on the micro-power geomagnetic induction vehicle detection technology (MP-AMR), combined with millimeter wave recognition technology, the recognition accuracy is improved.
- Integrated BT bluetooth communication technology, to realize the scene debugging and parameter configuration.
- Disposable lithium batteries work, long battery life.
- Compressive shell and can be used for indoor and outdoor parking information system (PIS) application.
- LoRa wireless networks.
- LoRa wireless data transmission, BT Bluetooth near field wireless parameter setting and firmware upgrade.
- Wide temperature range and geomagnetic work have waterproof function for indoor and outdoor applications.
- Easy to install and debug, self-learning function, avoid artificial initialization.
- Level of IP68 waterproof casing, internal and external bile design, easy to maintenance.
- Ultra-low power consumption, long working hours.
- Wide coverage radius.
- Environmental factors automatic compensation algorithm, magnetic field self-calibration algorithm.
- The fault monitoring, battery monitoring, low battery alarm automatically.
- Anti-static, 12K arc discharge, 3K contact discharge.

▪ Specification

Geomagnetic Parameters	
Communication Mode	LoRa
Heartbeat Interval	60 ~ 43200 s
Detector ID	16 BitID
Receiving Sensitivity	-129 dBm
Max. Working Current	150 mA
Sleeping Current	30 uA
Device Working Time	10 ms
Max. Detection Distance	2 m
RF Band	Standard 868MHz band, 915MHz band can be customized
RF Interconnection Distance	60 m in open air (depending on RF power and environment)
RF Transmission Rate	4800 bps
RF Transmitting Power	+23 dBm Max (depending on national policy)
General	
Working Temperature and Humidity	-34 °C to +74 °C
Working Voltage	3.6 V
Package Dimensions	155× 155× 105 mm (6.10 × 6.10 × 4.13 inch)
Dimensions	φ 114 mm × h 94 mm (φ 4.49 inch × h 3.70 inch)
Weight	0.565 kg (1.25 lb.)
Installation Mode	Built-in type , The upper surface is level with the ground
Storage Temperature and Humidity	-40 °C to +80 °C
Lifespan	5 years
Material	Super Tough Nylon

▪ Dimension



See Far, Go Further



www.hikvision.com
support@hikvision.com

