

DS-TRI900-1/A
UHF Card Reader

- Support EPC C1 Gen2/ISO 18000-6C
- Support EPC intensive read mode
- Long distance reading, RF output power up to 33dBm
- Support 640Kbps tag data reading rate
- Support Ethernet, Wiegand communication
- Flexible configuration and parameterization to maximize label reading and optimal performance

▪ Specification

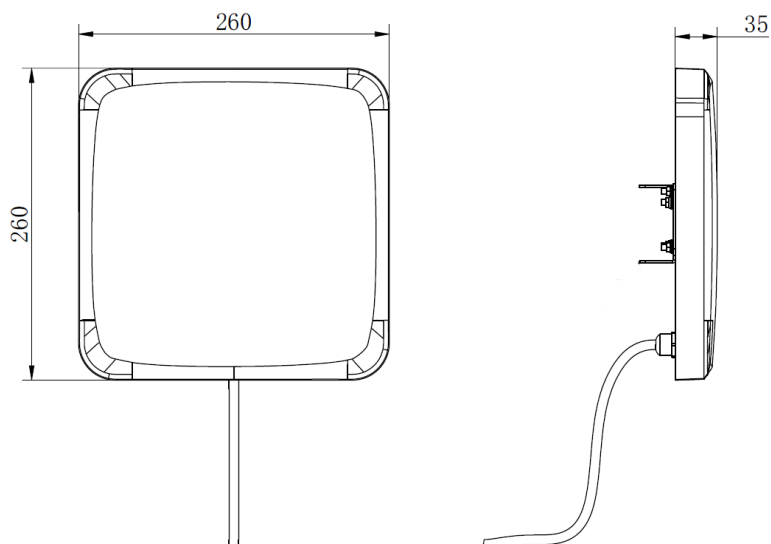
Model		DS-TRI900-1/A(O-STD)	DS-TRI900-1/A(868MHz)(O-STD)
Interface	Wiegand	Wiegand 34/26	
	Network Interface	1*10/100M Base-T (RJ-45)	
UHF	Working Frequency	840~960 MHz (Optional)	865~868 MHz
	RF Protocol	EPC C1 Gen2/ISO18000-6C	
	Transmitting Power	+10~ +33dBm (Optional)	
	Modulation Mode	FHSS or fixed frequency (optional)	
	Antenna Type	9dBi circularly polarized antenna	
	Reading Distance	Stable reading 0~9 meters	
	Reading Rate	200 times/sec	
General	Power Supply	DC 9--24V, 2A	
	Working Environment	-40°C~70°C	
	Dimensions	260 × 260 × 35 mm (10.24 × 10.24 × 1.38 inch)	
	Protection	IP65	
	Installation Mode	Universal wall-mounted bracket pole mounting fixture	
	Storage Temperature and Humidity	-40°C~85°C	

▪ Available Model

DS-TRI900-1/A

DS-TRI900-1/A(868MHz)

▪ Dimension



See Far, Go Further



www.hikvision.com
support@hikvision.com

