



- Built-in AVR
- Super fast charging
- Wide input voltage range
- Overload protection
- Short circuit protection
- Surge protection
- USB port for remote control
- LCD display

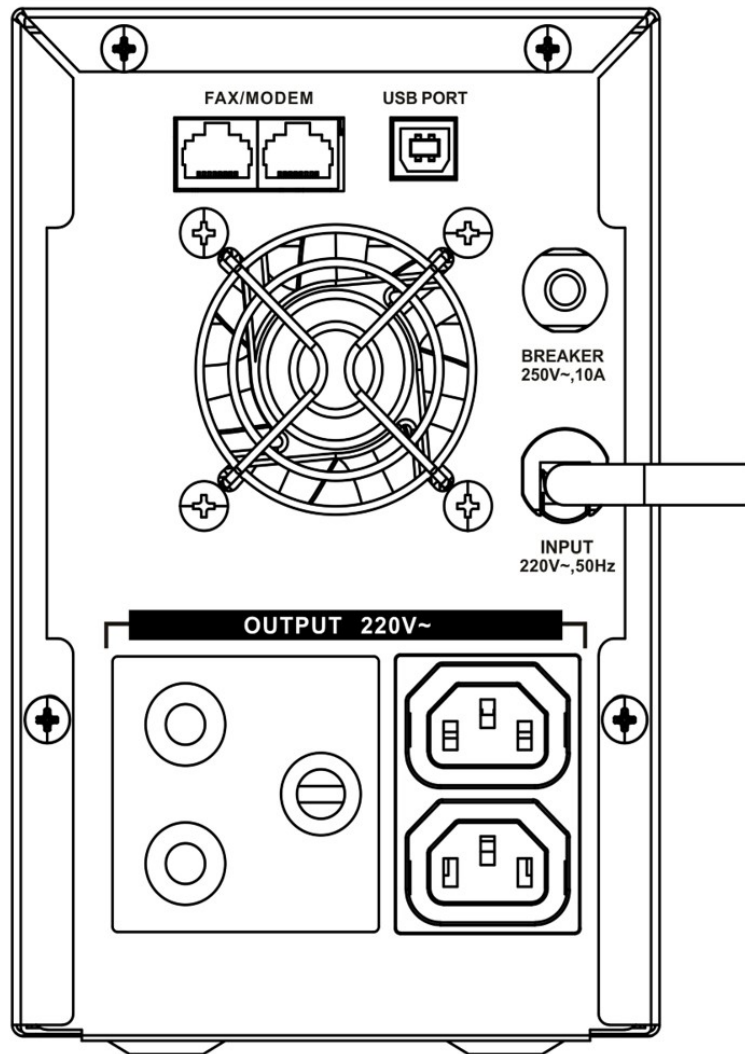
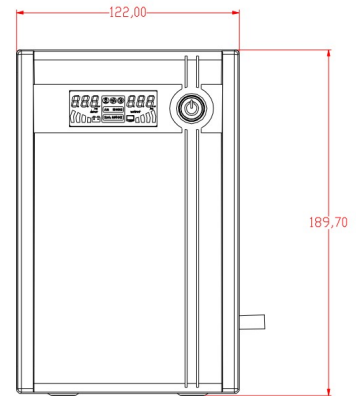
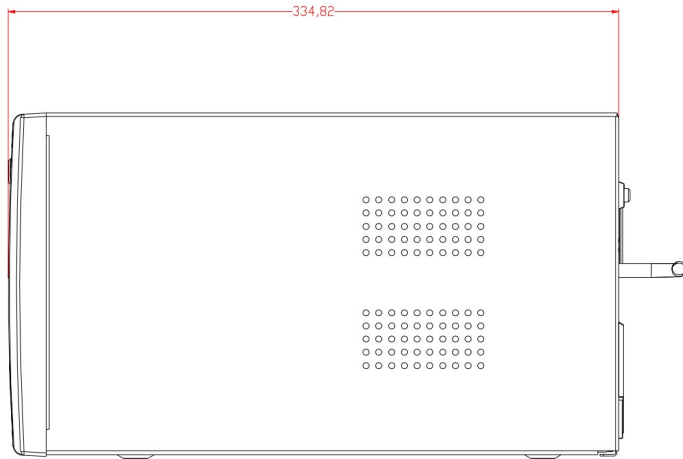
## ▪ Specification

<b>Power</b>	
UPS Capacity	2000 VA / 1200 W
<b>Input</b>	
Input Voltage Range	140 VAC to 290 VAC
Input Frequency	50/60 Hz self-adaptive
Plug Type	South Africa
<b>Output</b>	
Output Voltage Range	210 VAC to 235 VAC
Output Frequency	50/60 Hz ± 0.5 Hz self-adaptive
Transfer Time	≤ 10 ms
Waveform	PWM
Outlet Type	South Africa RZ-02*1 & IEC C13*2
Outlet Number	3
<b>Battery</b>	
Battery Type	12 V/9 Ah *2 pcs, lead-acid battery
Recharge Time	6-8 hours recover to 90% capacity
Typical Backup Time	Run time at 100w: 70 min Run time at 300w: 17 min Run time at 600w: 5 min
<b>Interface</b>	
Communicate Ports	USB
<b>Protection</b>	
Full Protection	Surge protection, Overload protection, Discharge protection, Short circuit protection
<b>Indicator</b>	
Display	LCD Screen Input Voltage, Output Voltage, Battery capacity, load level
Alarm	Charging Mode (DC mode): Sounding every 8 seconds Low Battery: Sounding every second Overloading Mode: Sounding every 0.5 seconds Fault: Continuously sounding
<b>General</b>	
Operating Temperature	0 °C to 40 °C (32 °F to 104 °F)
Operating Humidity	30% to 90% (non-condensing)
Dimension	345 mm × 122 mm × 192 mm (13.58" × 4.80" × 7.56")
Weight	Approx. 11 kg (24.3 lb)

## ▪ Available Model

DS-UPS2000

## ▪ Dimension



**Headquarters**

No.555 Qianmo Road, Binjiang District,  
Hangzhou 310051, China  
T +86-571-8807-5998  
www.hikvision.com



Follow us on social media to get the latest product and solution information.

