

**DS-D5022F2-1P2**  
**21.5 inch FHD IPS 100Hz**



- 100 Hz refresh rate, more fluid and life-like video
- IPS technology for wide, 178° ultra-wideview screen.
- Ultra-thin device body with ultra-thin border for 3 sides.
- 8 bit LVDS FHD (1920 × 1080) display.
- 3D noise reduction.
- Low blue light design for eye care.
- Dual interface of HDMI and VGA.
- Support VESA wall mount.

## ▪ Specification

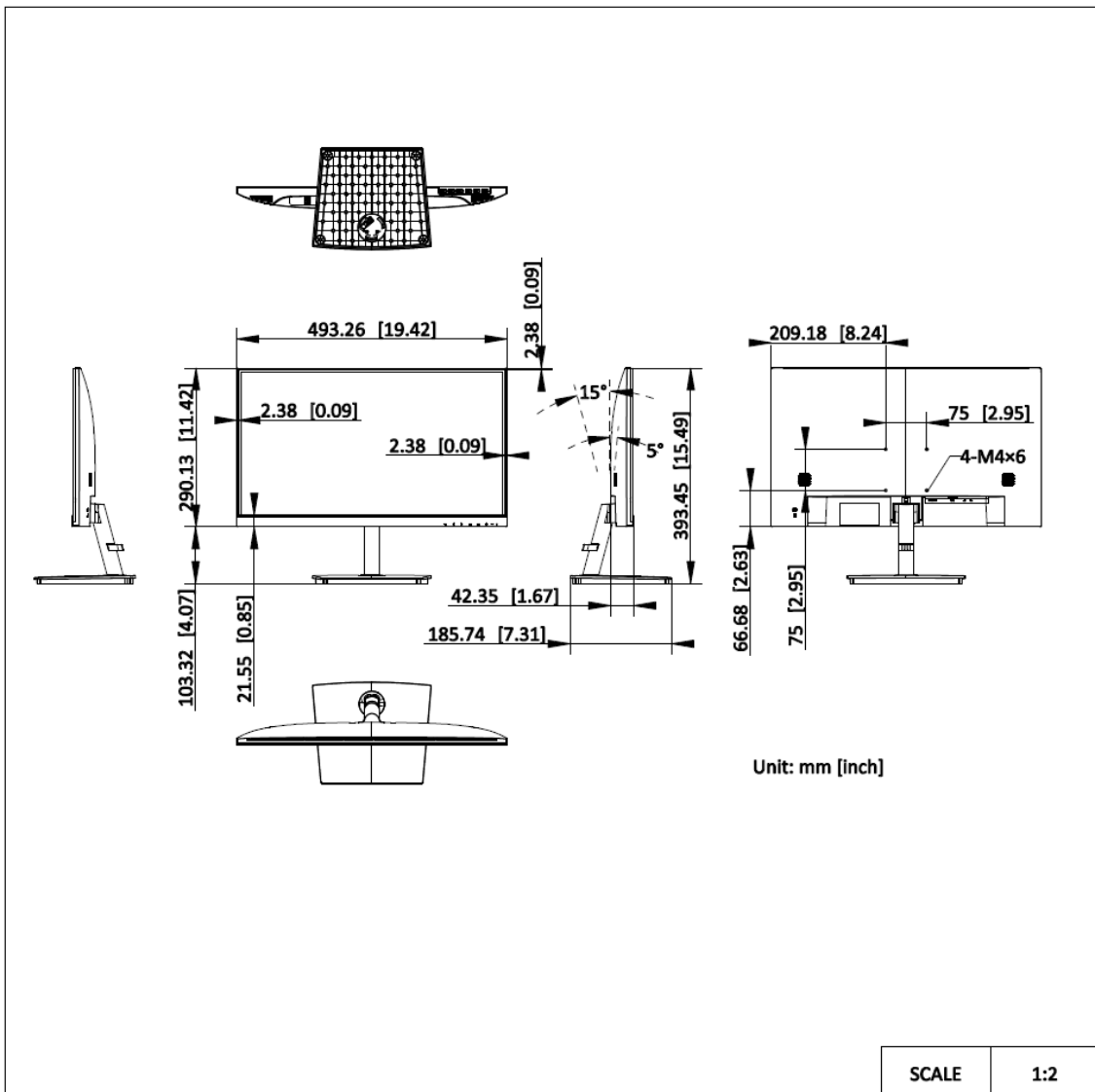
Display	
Screen Size	21.45 inch , 54.48 cm
Active Display Area	478.656 (H) mm × 260.280 (V) mm, 12.45 dm <sup>2</sup>
Resolution	1920 × 1080
Backlight	E-LED
Pixel Pitch	0.241 mm (H) × 0.241 mm (V)
Brightness	250 cd/m <sup>2</sup>
Viewing Angle	178° (H) / 178° (V)
Color Depth	8 bit, 16.7 M
Contrast Ratio	1000 : 1
Response Time	6.5 ms
Refresh Rate	Max. 100Hz , Typ. 60 Hz
Haze	Haze 25%, 3H
Reliability	7 × 16 H
Color Gamut	72% NTSC
Interface	
Video & Audio Input	HDMI 1.4 × 1, VGA × 1
Video & Audio Output	Audio Out
Data Transmission Interface	None
Control Interface	None
Power	
Power Supply	DC 12V, 2.0A
Power Consumption	≤ 24 W
Standby Consumption	≤ 0.5 W
Working Environment	
Working Temperature	0°C to 40 °C (32 °F to 104 °F )
Working Humidity	20% to 90% RH (Non-Condensing)
Storage Temperature	-20 °C to 60 °C (-4 °F to 140 °F )
Storage Humidity	10% to 90% RH (Non-Condensing)
General	
Casing Material	Plastic
VESA	75 mm × 75 mm (4 - M4 × 6 mm)
Bezel Width	2.38 mm (top/left/right), 21.55 mm (bottom)
Product Dimensions (W × H × D)	With base: 493.26 (W) mm × 393.45 (H) mm × 185.74 (D) mm Without base: 493.26 (W) mm × 290.13 (H) mm × 42.35 (D) mm
Standby Time	600s
Package Dimensions (W × H × D)	599 (W) mm × 393 (H) mm × 109 (D) mm
Net Weight	2.0 ± 0.5 kg
Gross Weight	3.2 ± 0.5 kg
Packing List	Monitor × 1, Base component × 1, Power adapter (12 V, 2.0 A) × 1, HDMI cable (1.5 m) × 1, User manual × 1, Multilingual manual × 1
Remarks	The base is included by default. The product appearance and parameters in this specification may vary from your actual device. Please consult our local sales staff for further information

▪ Physical Interface

Interface	Description	Interface	Description
HDMI	HDMI 1.4 digital signal input interface	VGA	VGA analog signal input interface
Audio Out	3.5mm audio output interface	DC	DC 12V 2.0A input interface





▪ Dimension



▪ Accessory

▪ **Optional**

<b>DP-D501940-1X1-Q</b> <b>1-NW-Q0.1-TY/V20</b> <b>0</b>	<b>DS-DM1940W</b>
	

# See Far, Go Further



[www.hikvision.com](http://www.hikvision.com)  
[support@hikvision.com](mailto:support@hikvision.com)

